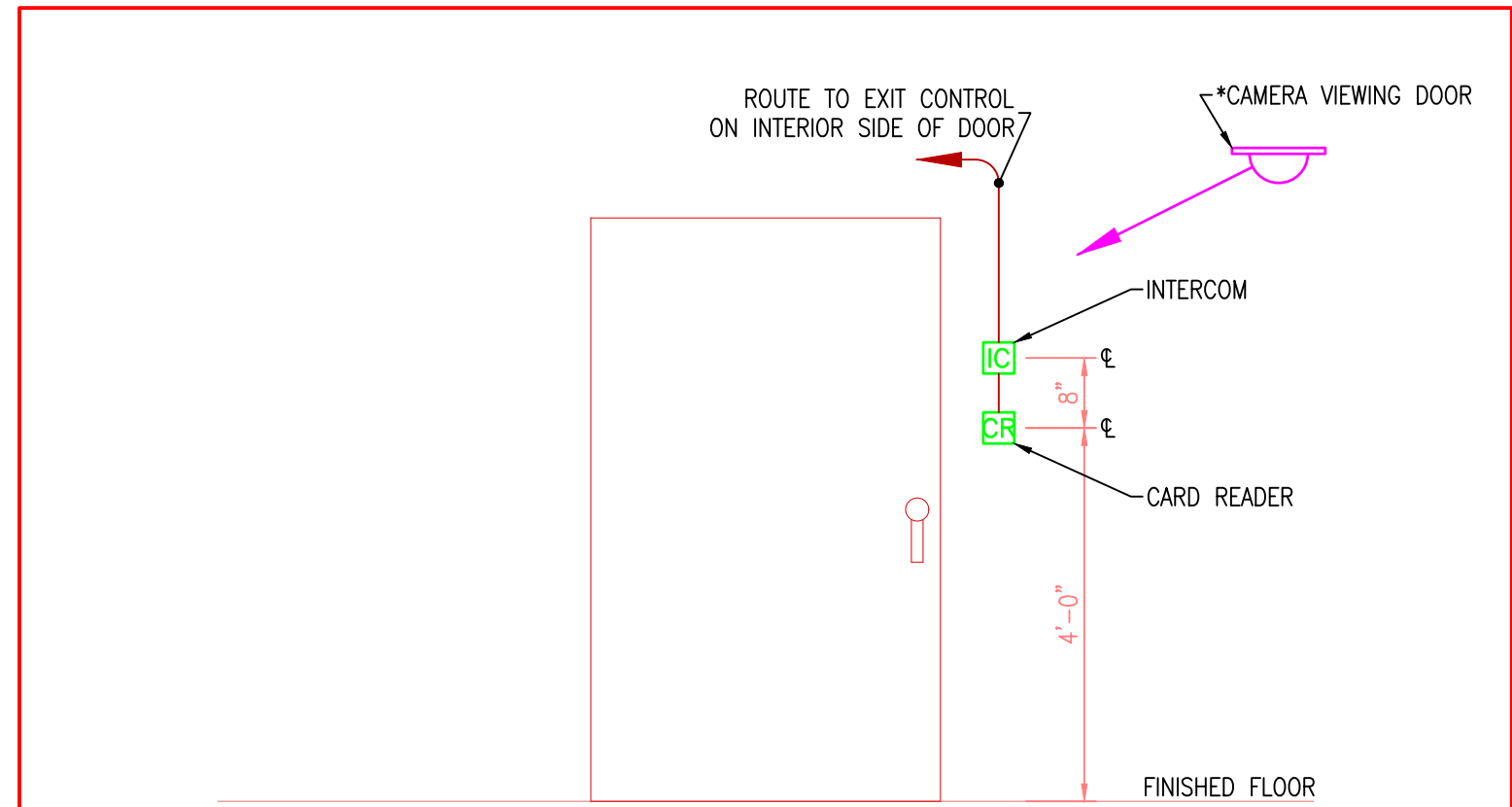
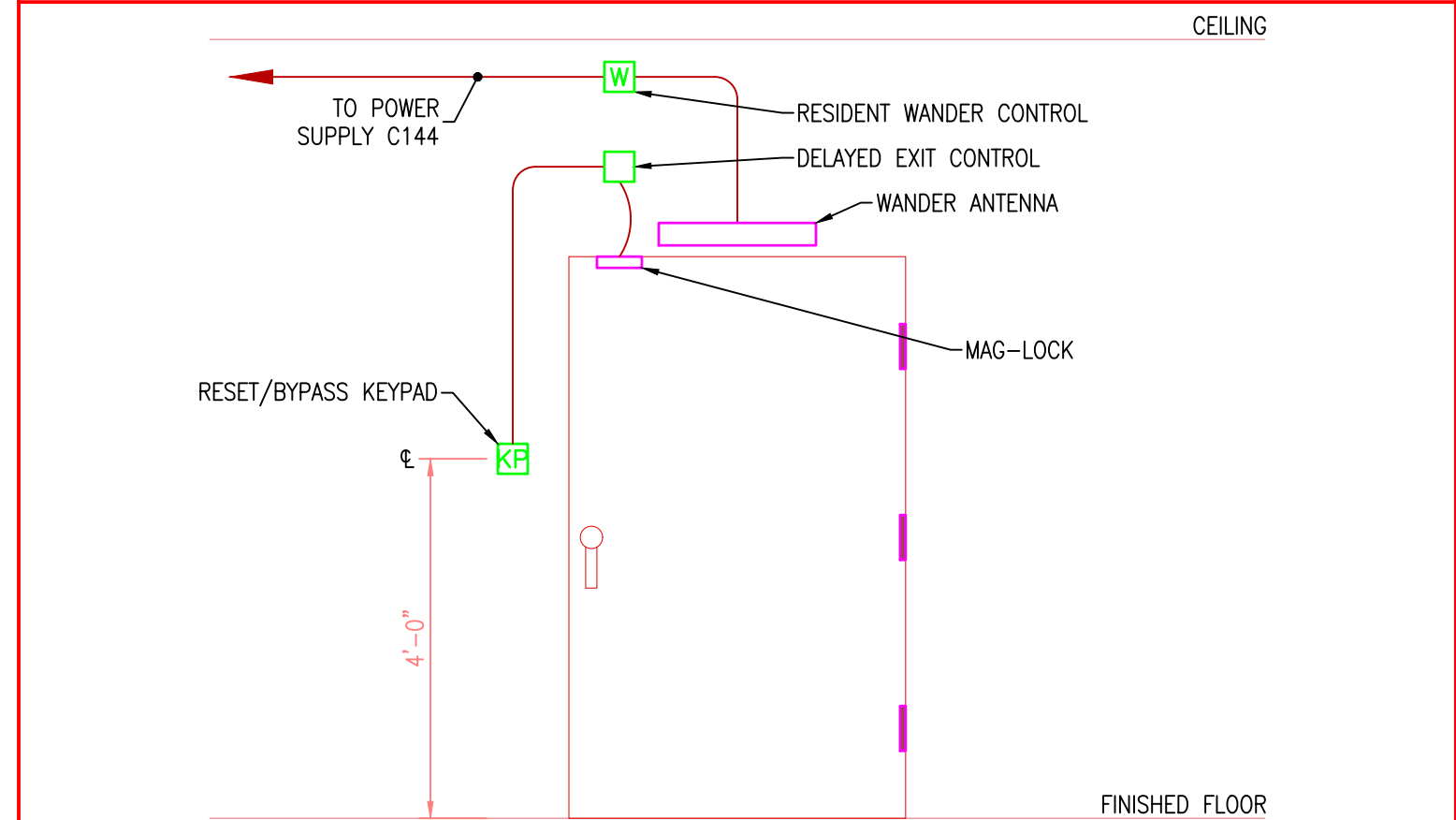


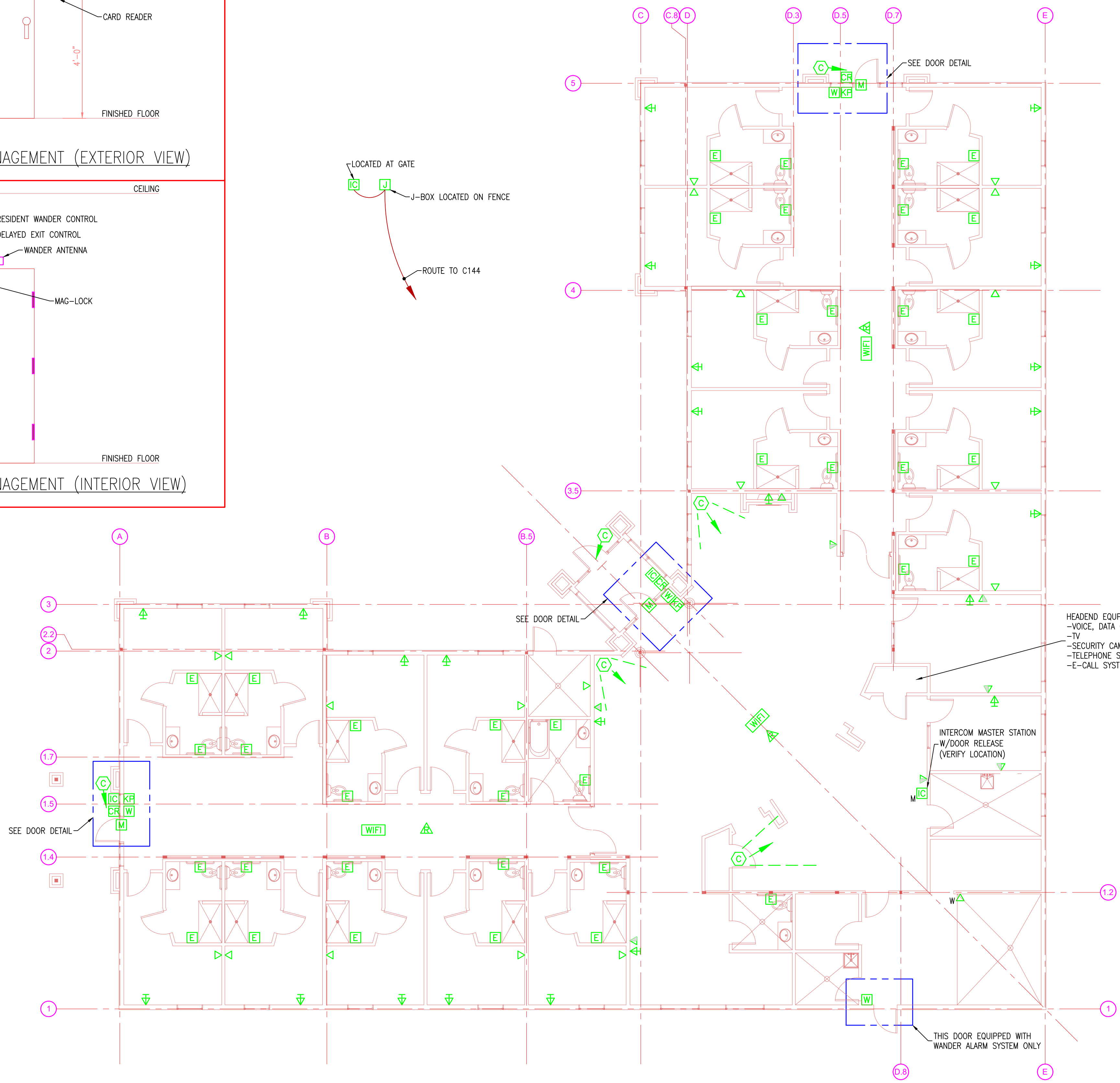
© 2022 ANDY'S BEST CAD. ALL RIGHTS RESERVED. THIS DRAWING IS THE PROPERTY OF ANDY'S BEST CAD AND IS PROTECTED BY COPYRIGHT LAWS OF THE UNITED STATES OF AMERICA. ANY UNAUTHORIZED USE OF THE INFORMATION CONTAINED HEREIN OR PART THEREOF IS STRICTLY PROHIBITED. RECEIPT OR POSSESSION THEREOF DOES NOT CONVEY OR TRANSFER ANY RIGHT TO MAKE, COPY, MANUFACTURE AND/OR RESELL EITHER THE DRAWING OR THE ITEMS SHOWN THEREON.



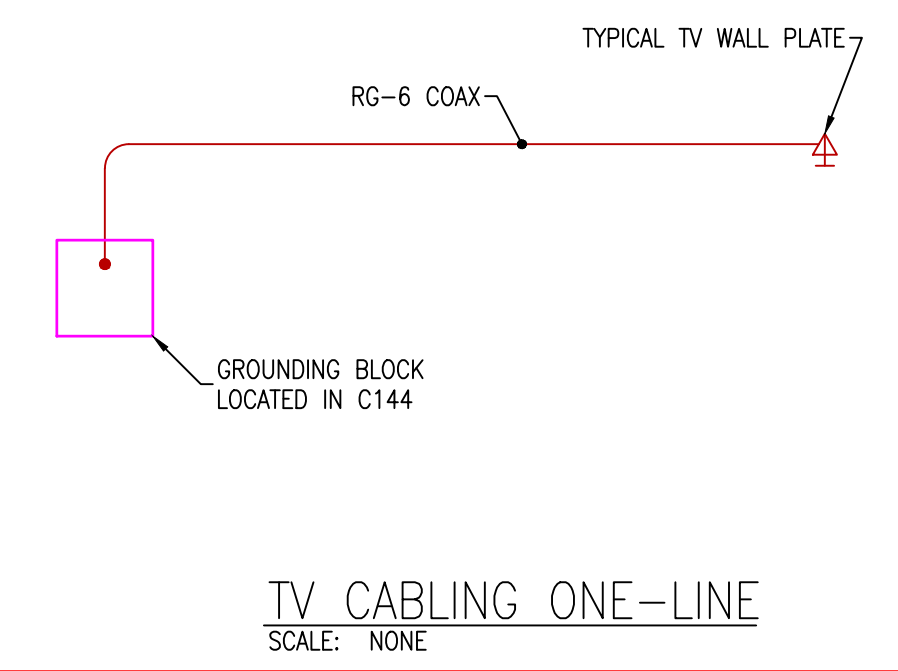
DELAYED EXIT AND WANDER MANAGEMENT (EXTERIOR VIEW)  
SCALE: NONE



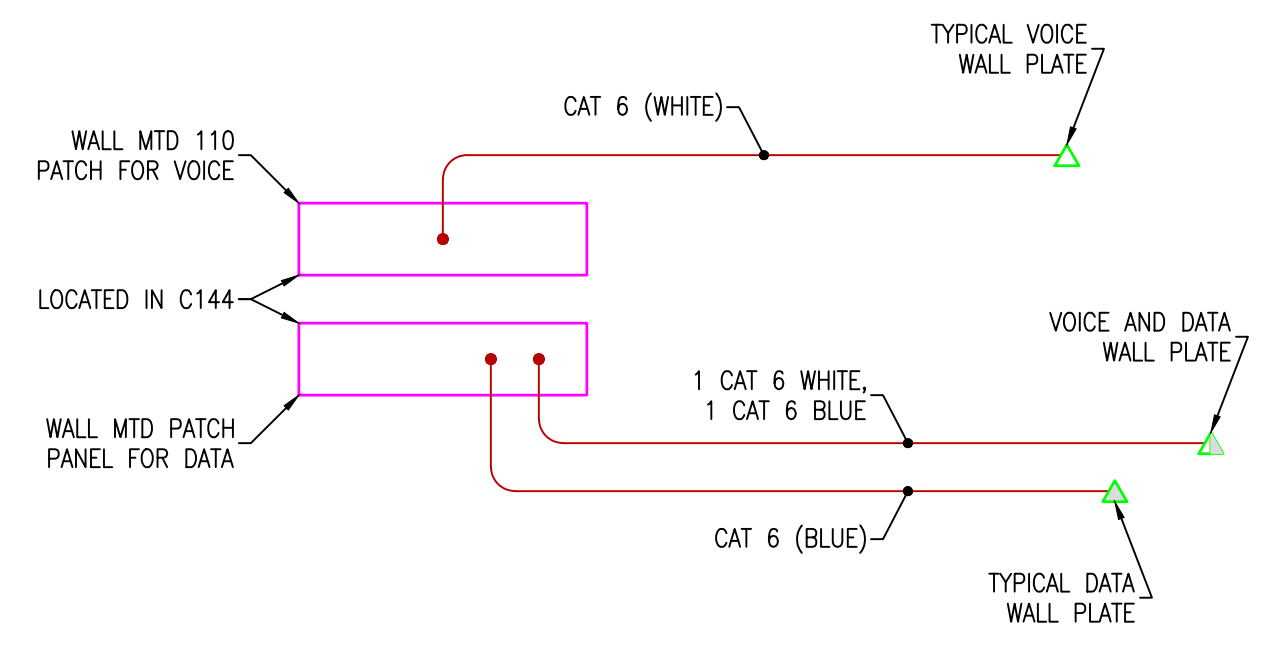
DELAYED EXIT AND WANDER MANAGEMENT (INTERIOR VIEW)  
SCALE: NONE



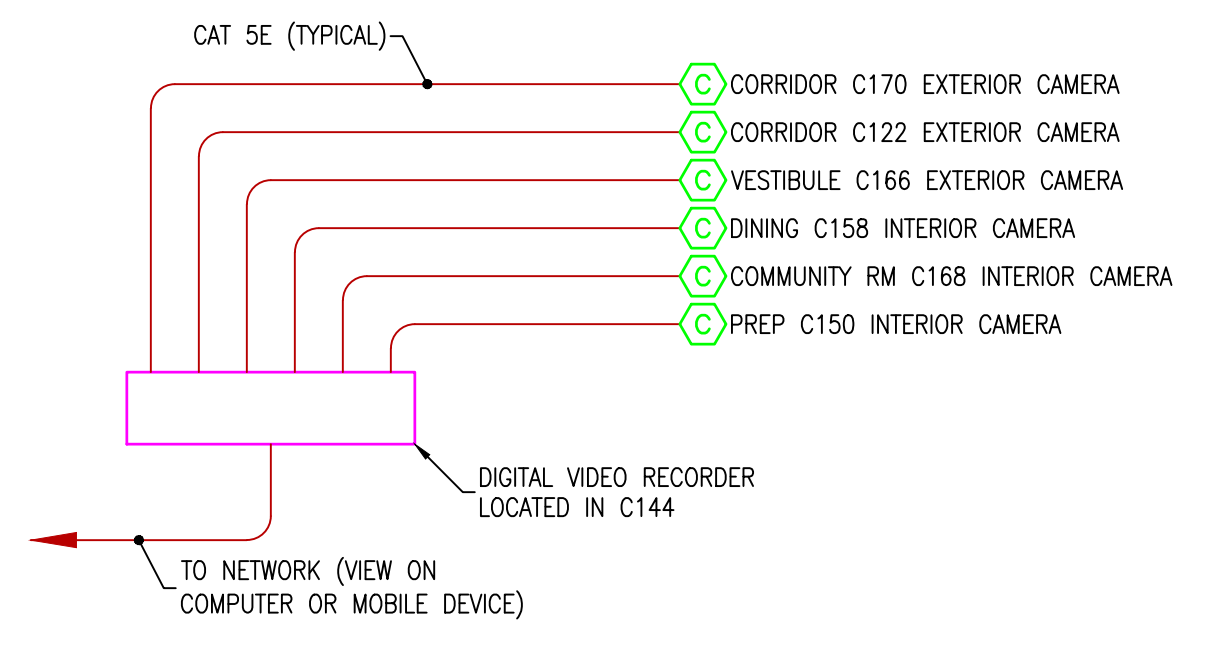
SPECIAL SYSTEMS PLAN  
SCALE: 1/8"=1'-0"



TV CABLING ONE-LINE  
SCALE: NONE

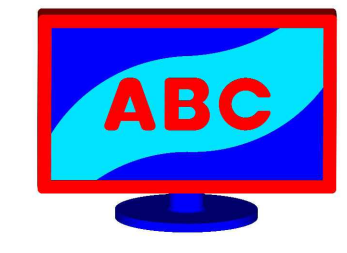


VOICE AND DATA ONE-LINE  
SCALE: NONE



CCTV SYSTEM ONE-LINE  
SCALE: NONE

|                       |  |
|-----------------------|--|
| DATE:                 |  |
| REVISION DESCRIPTION: |  |



ANDY'S BEST CAD  
1323 CARLYLE PARK CIRCLE  
HIGHLANDS RANCH, CO 80129  
303-808-3352  
WWW.ANDYSBESTCAD.COM

DRAWN: ABC  
DESIGNED:  
CLIENT: 03/20/22  
DATE: AS SHOWN  
SCALE:

PROJECT:  
ASSISTED LIVING  
COMMUNICATION SYSTEMS  
CONSTRUCTION DRAWINGS

DRAWING TITLE:  
SPECIAL SYSTEMS  
PLAN, DOOR DETAILS &  
ONE-LINE DIAGRAMS

DRAWING NO:  
T101  
OF