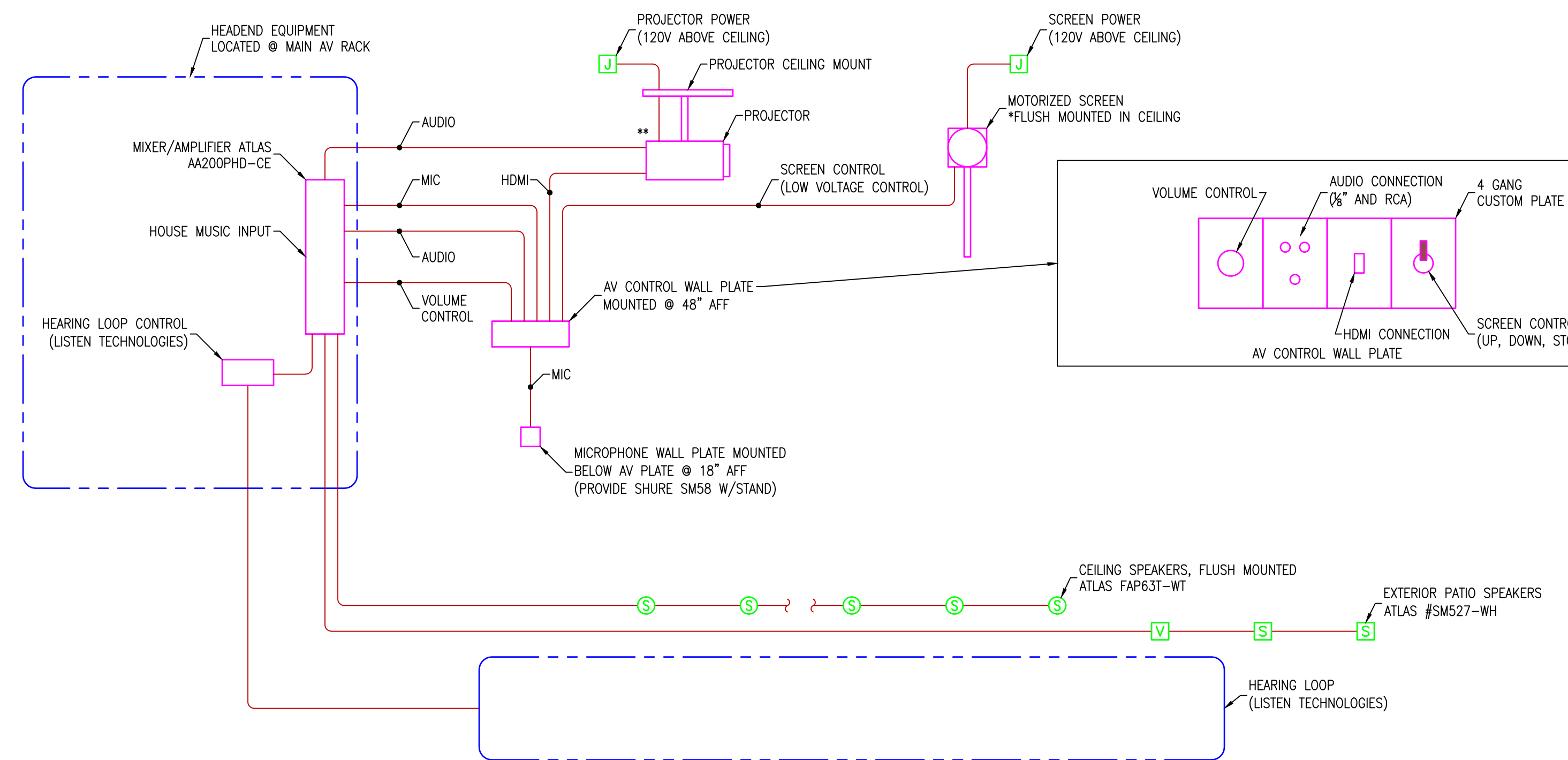
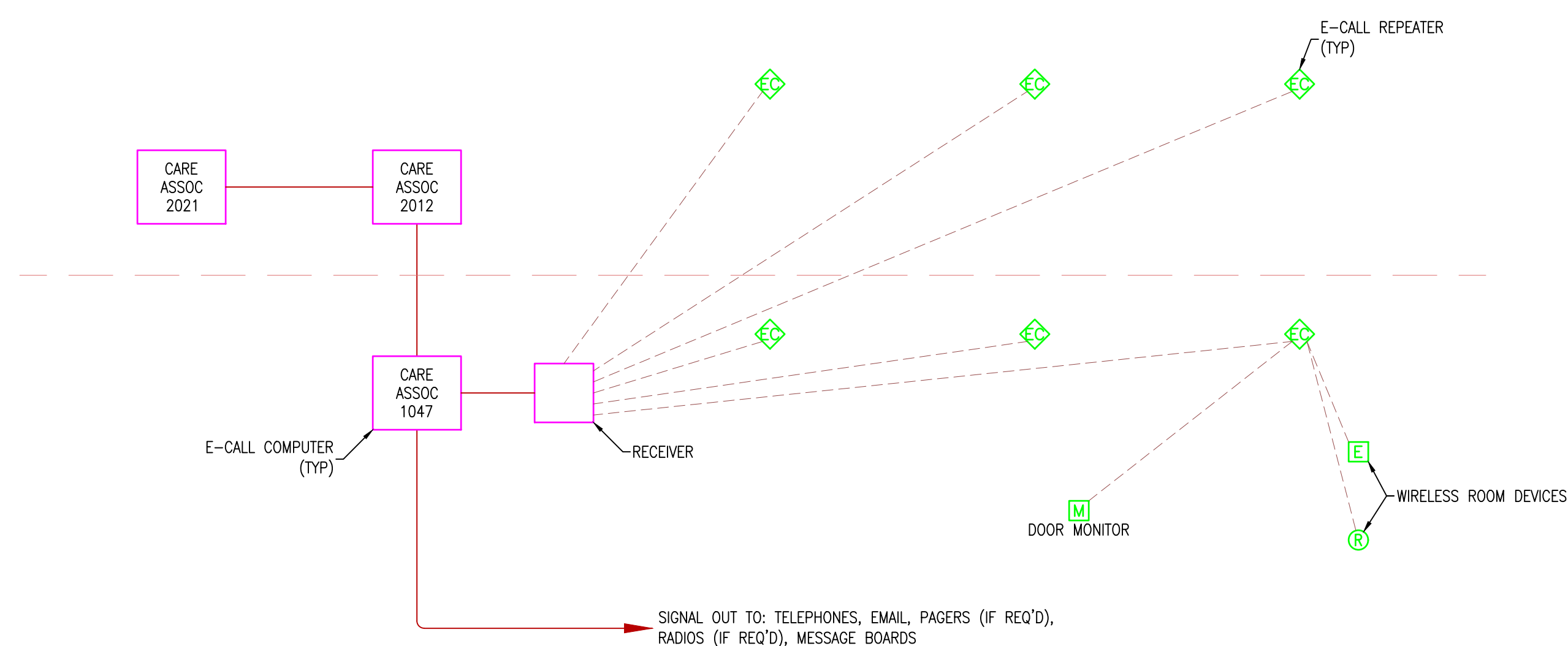


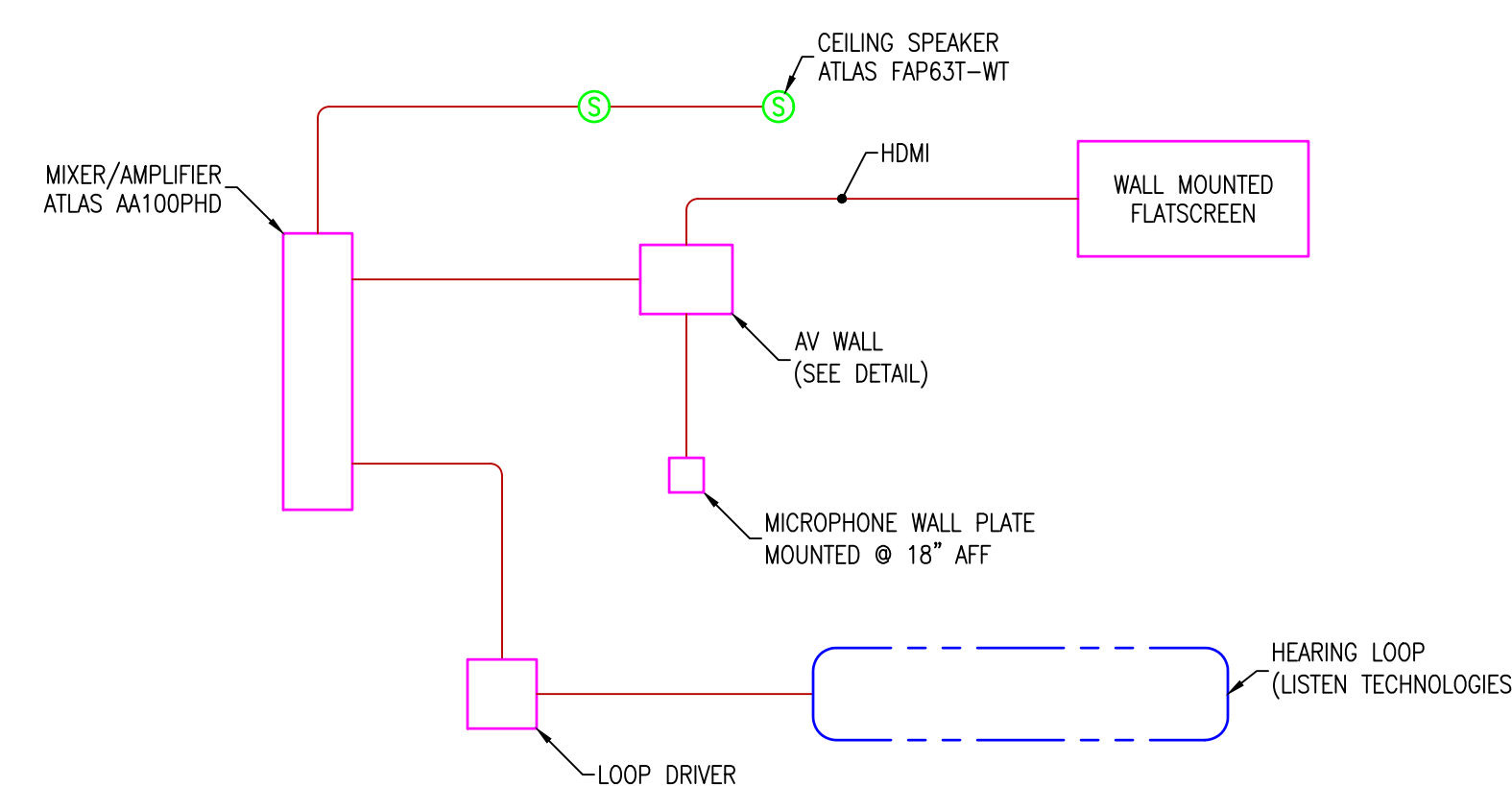
AV SYSTEM DINING 1004, PRIVATE DINING 1011



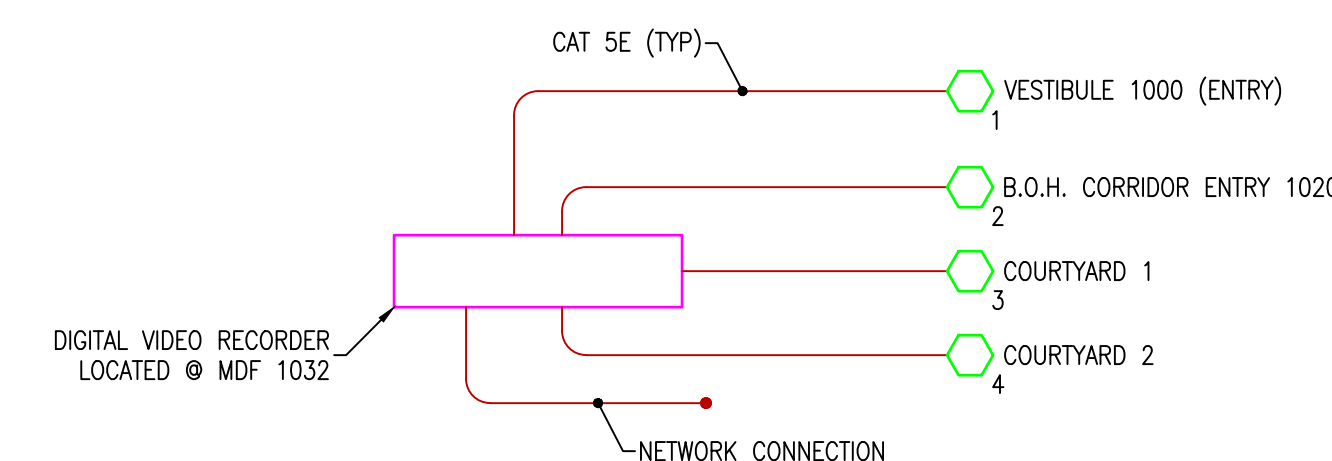
AV SYSTEM MULTI-PURPOSE 1007



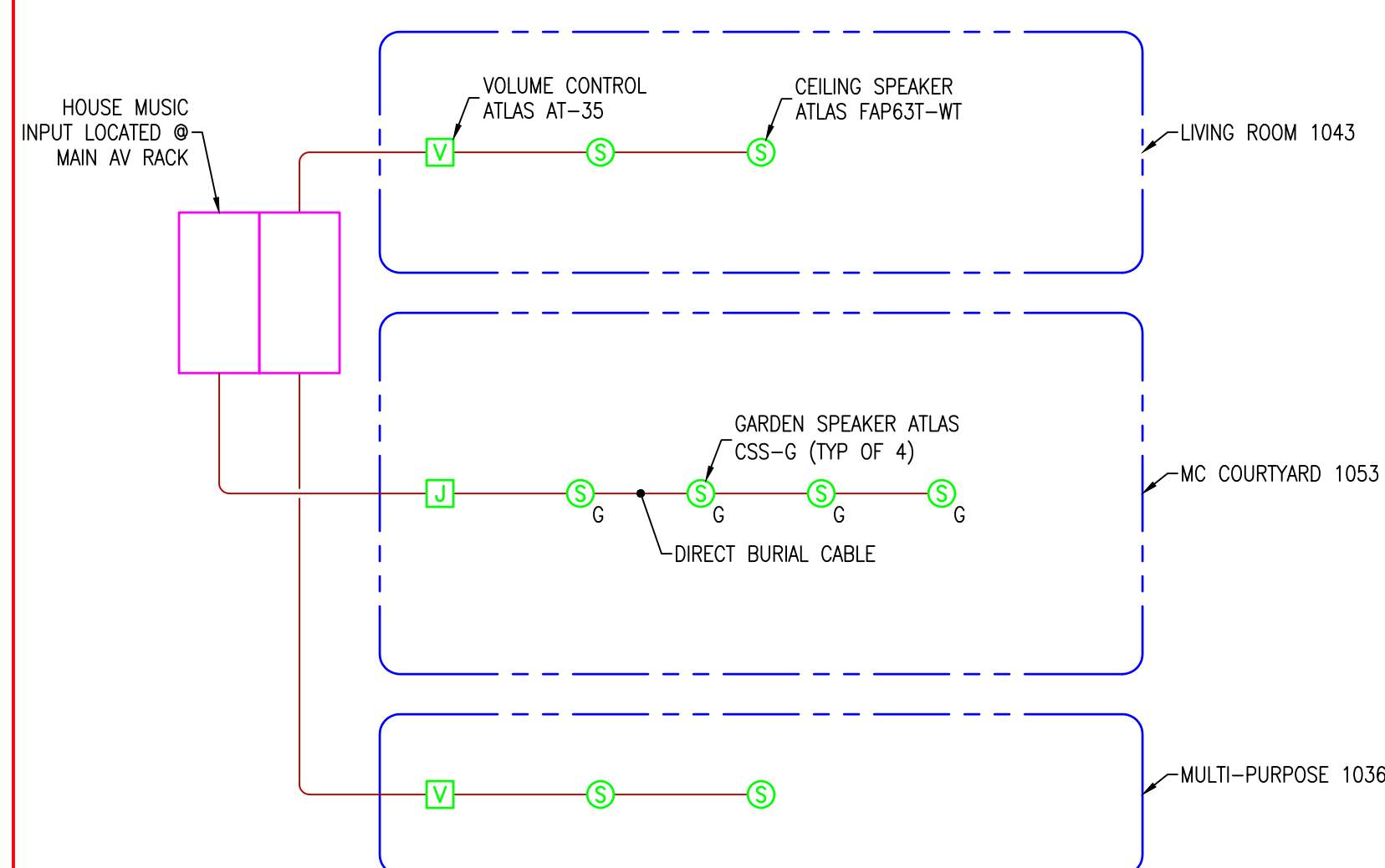
E-CALL SYSTEM



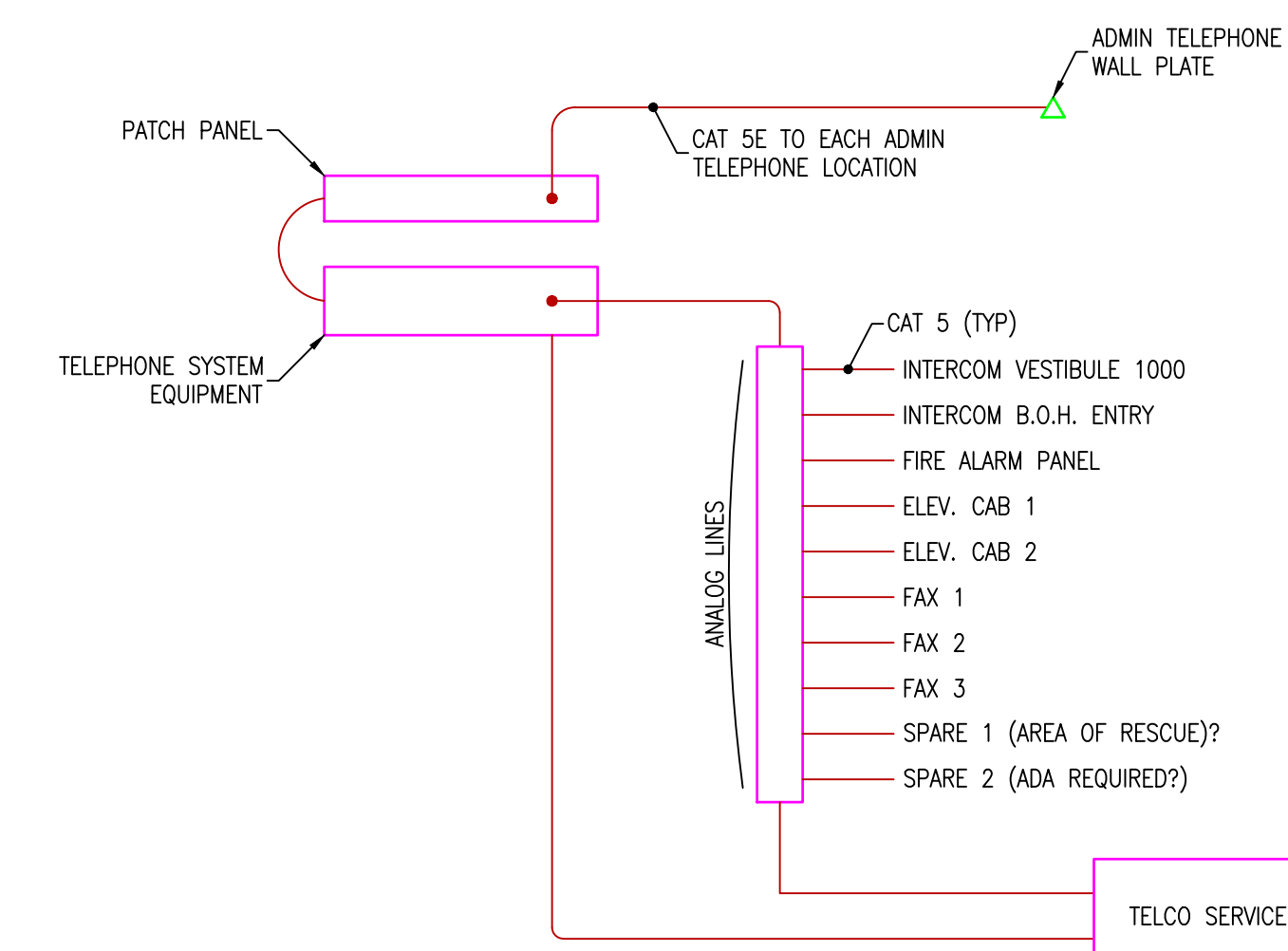
AV SYSTEM MULTI-PURPOSE 1042



CCTV SYSTEM

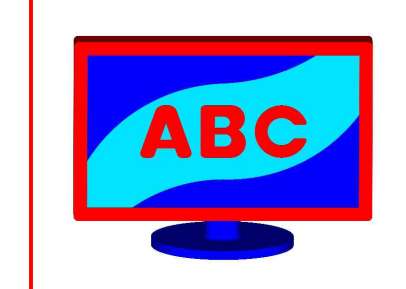


SOUND SYSTEMS  
LIVING ROOM 1043, MC COURTYARD, MULTI-PURPOSE 1036



ADMIN & BLDG TELEPHONE SYSTEM

DATE:	
REV:	
DESCRIPTION:	



ANDY'S BEST CAD  
1323 CARLYLE PARK CIRCLE  
HIGHLANDS RANCH, CO 80129  
303-808-3352  
WWW.ANDYSBESTCAD.COM

DRAWN: ABC  
DESIGNED:  
CLIENT: 03/20/22  
DATE: NONE  
SCALE:

HOSPITAL  
NURSE CALL SYSTEM  
CONSTRUCTION DRAWINGS

NURSE CALL SYSTEM  
SCHEMATIC  
DIAGRAMS

DRAWING NO:  
T103  
OF

©2022 ANDY'S BEST CAD. ALL RIGHTS RESERVED. THIS DRAWING IS THE PROPERTY OF ANDY'S BEST CAD AND IS PROTECTED BY COPYRIGHT LAWS OF THE UNITED STATES OF AMERICA. ANY UNAUTHORIZED USE OF THE INFORMATION CONTAINED HEREIN OR PART THEREOF IS STRICTLY PROHIBITED. RECEIPT OR POSSESSION THEREOF DOES NOT CONVEY OR TRANSFER ANY RIGHT TO MAKE, COPY, MANUFACTURE AND/OR SELL EITHER THE DRAWING OR THE ITEMS SHOWN THEREIN.