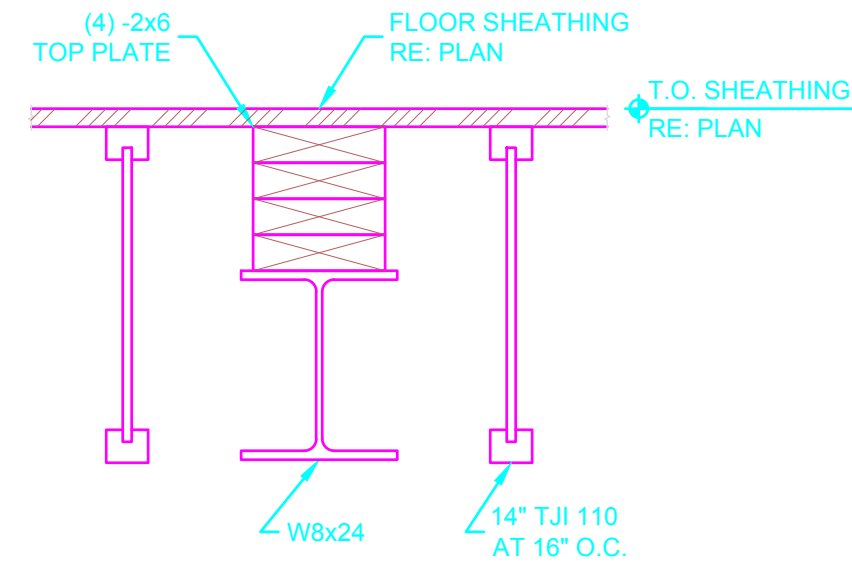
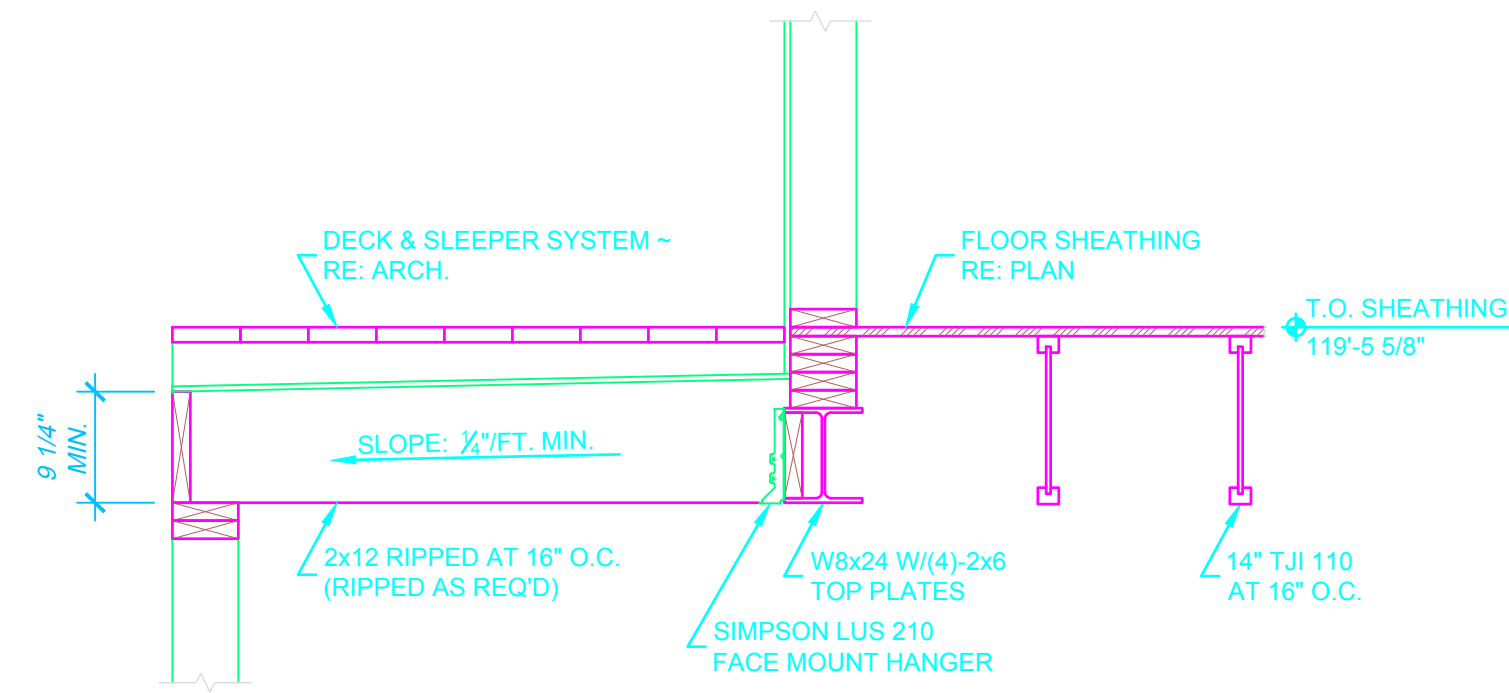


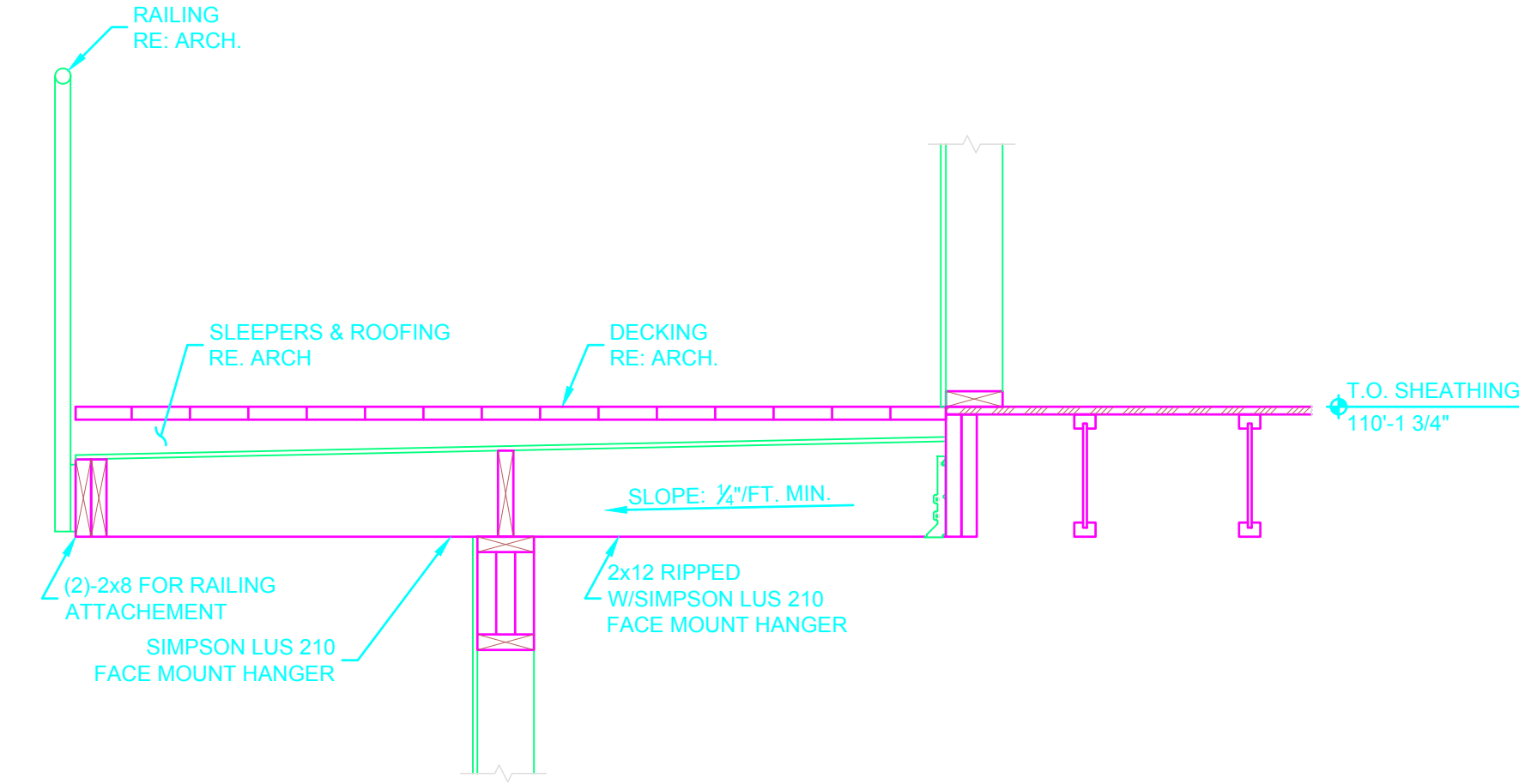
© 2022 ANDY'S BEST CAD. ALL RIGHTS RESERVED. THIS DRAWING IS THE PROPERTY OF ANDY'S BEST CAD AND IS PROTECTED BY COPYRIGHT LAWS OF THE UNITED STATES OF AMERICA. ANY UNAUTHORIZED USE OF THE INFORMATION CONTAINED HEREIN OR PART THEREOF IS STRICTLY PROHIBITED. RECEIPT OR POSSESSION THEREOF DOES NOT CONVEY OR TRANSFER ANY RIGHT TO MAKE, COPY, MANUFACTURE AND/OR SELL EITHER THE DRAWING OR THE ITEMS SHOWN THEREIN.



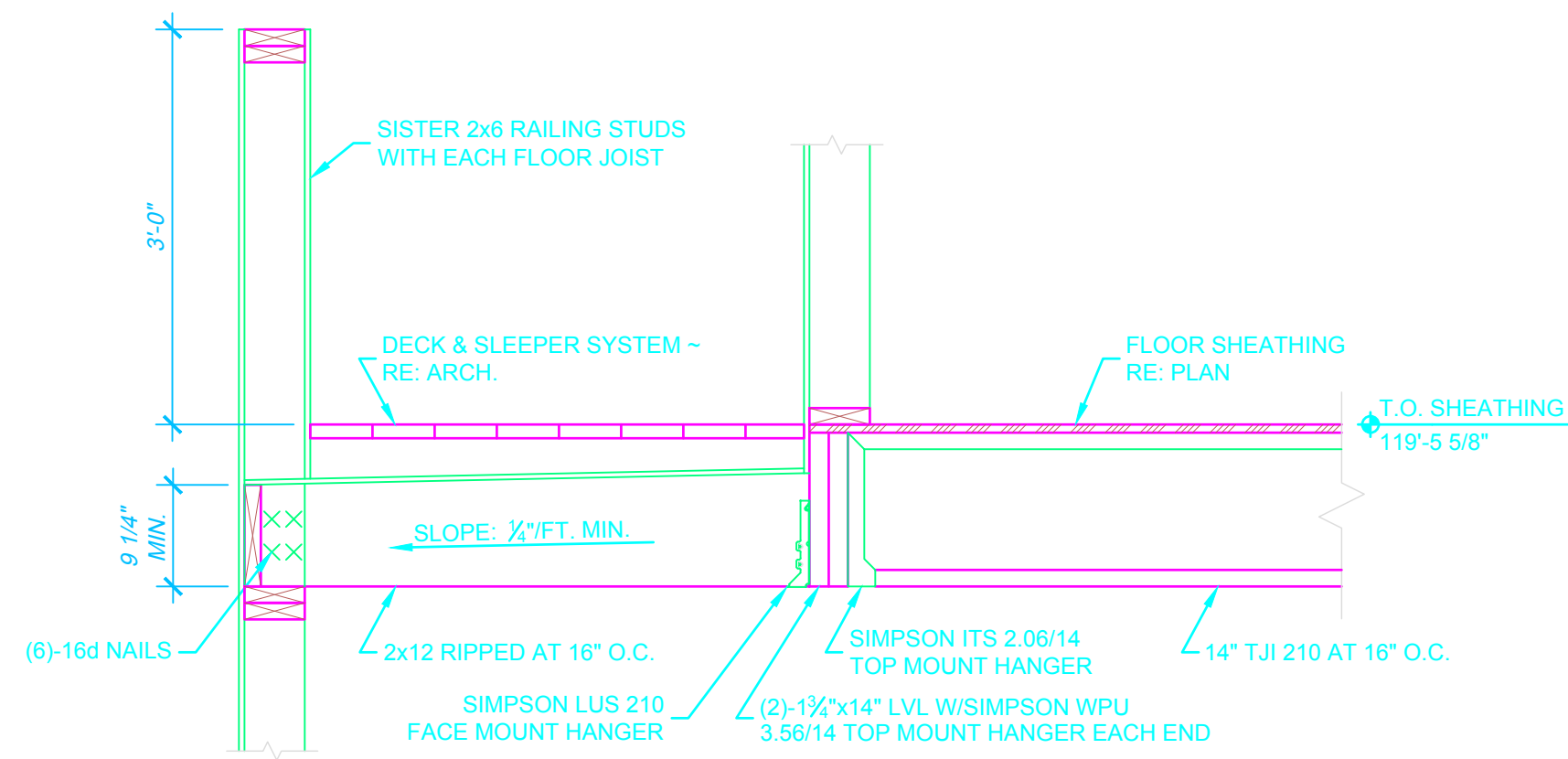
**10 FLOOR DETAIL AT STEEL BEAM**  
SCALE: 1/12"=1'-0"



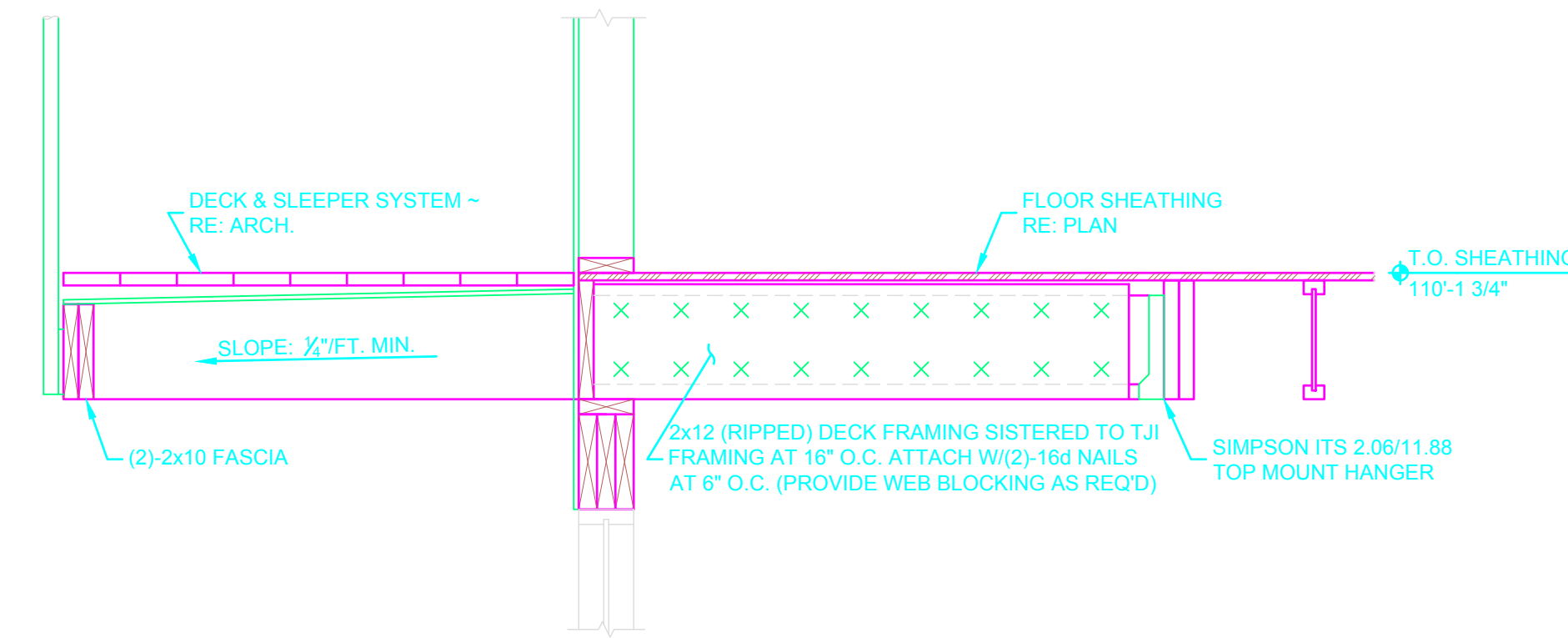
**9 TRANSITION AT ROOF-TOP TERRACE (WEST-SIDE)**  
SCALE: 3/4"=1'-0"



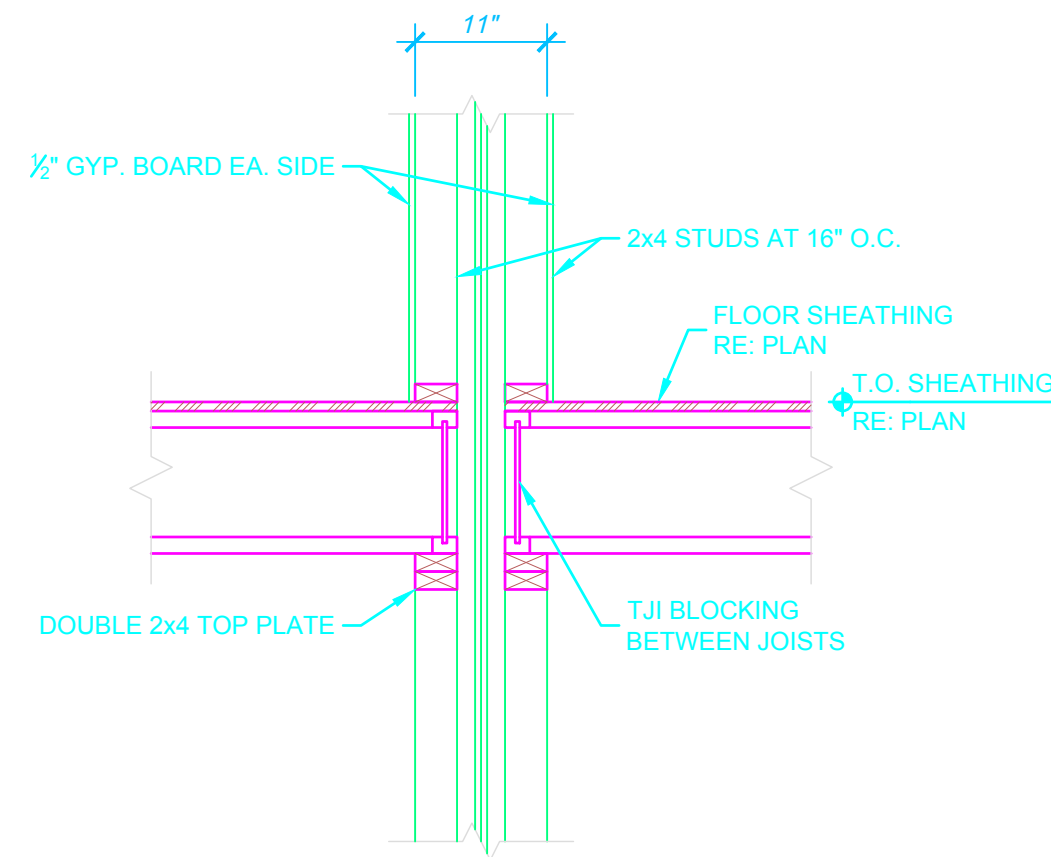
**7 BALCONY AT UNIT 2 ENTRY**  
SCALE: 3/4"=1'-0"



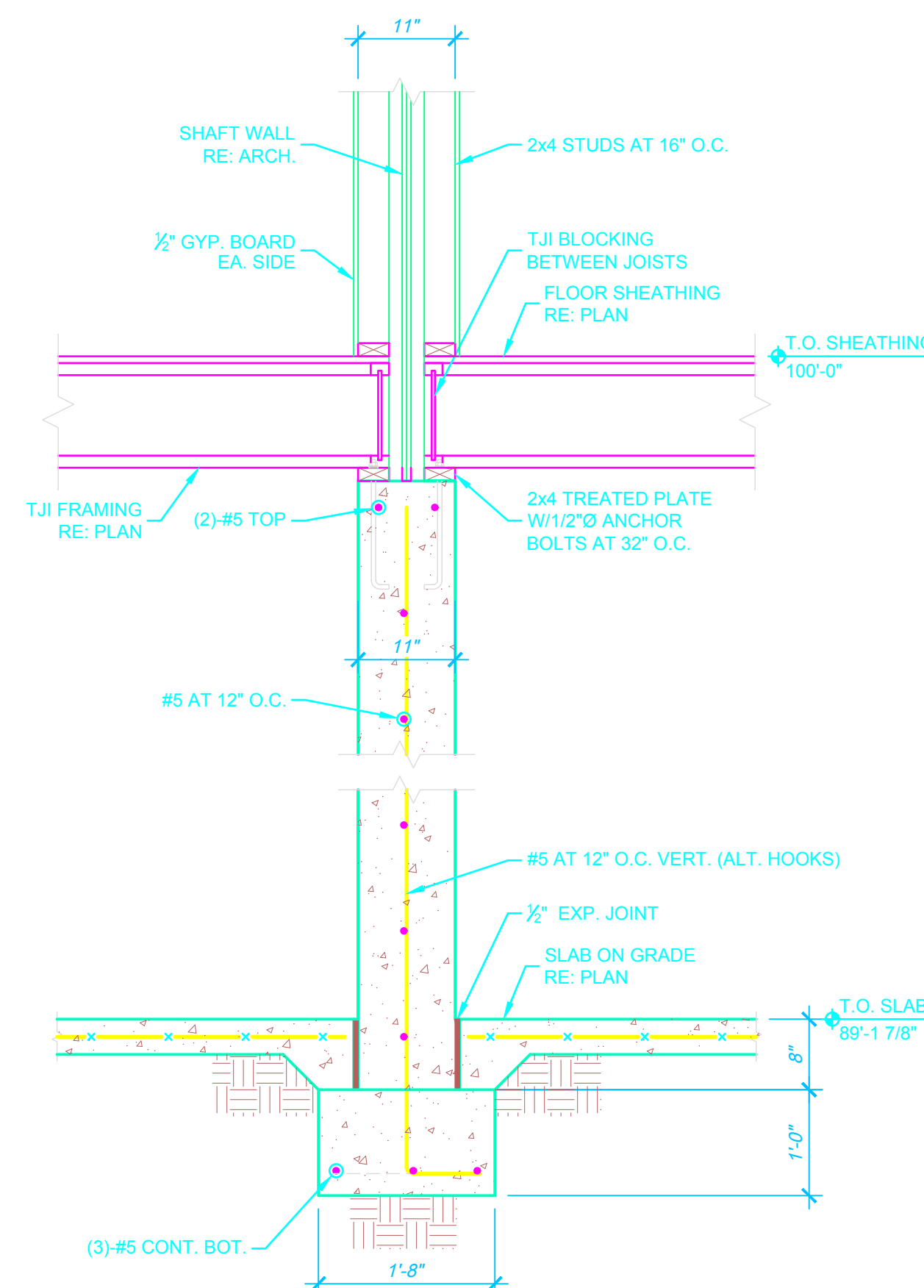
**8 TRANSITION AT ROOF TOP TERRACE**  
SCALE: 3/4"=1'-0"



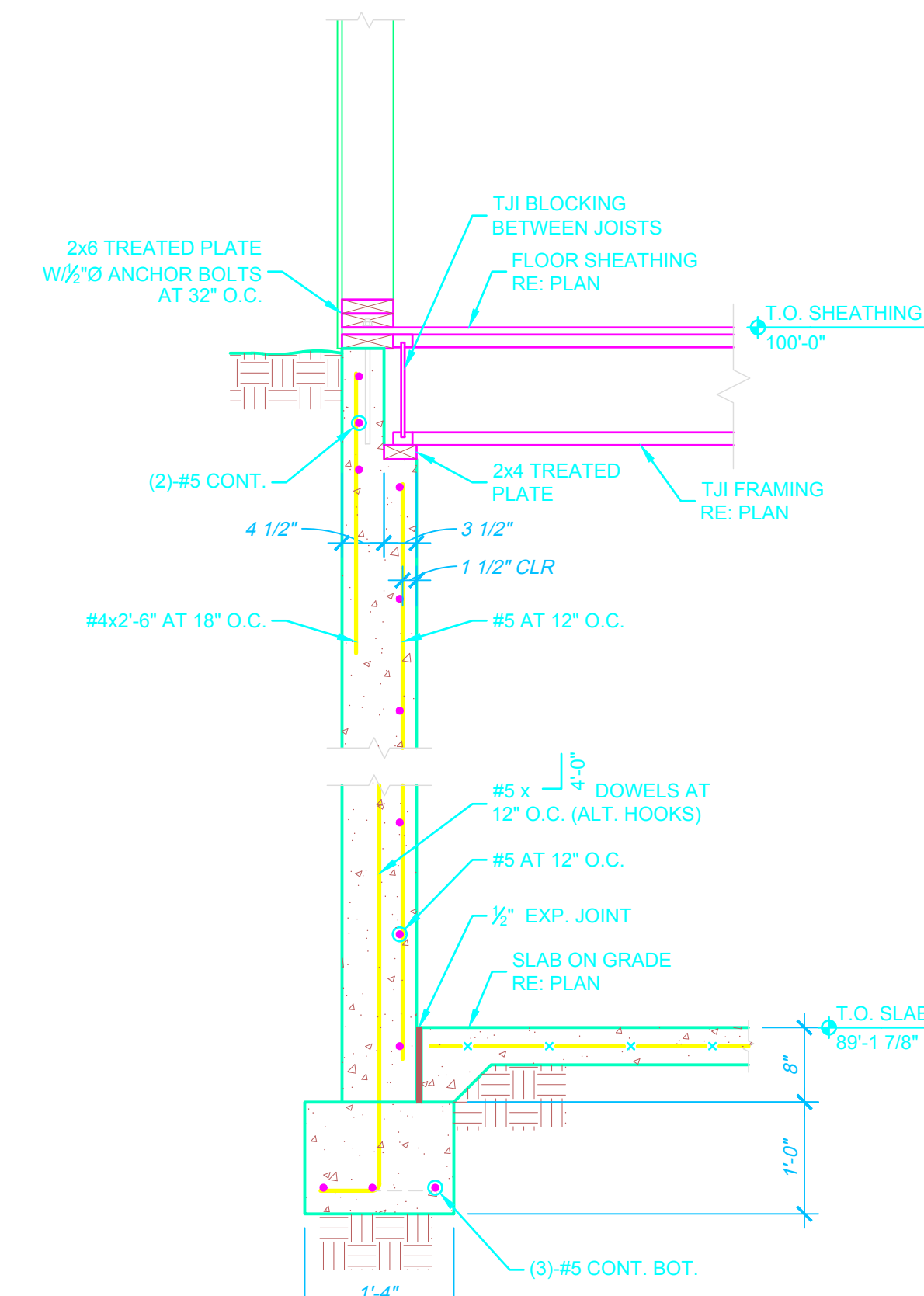
**6 EXTERIOR BALCONY FRAMING**  
SCALE: 3/4"=1'-0"



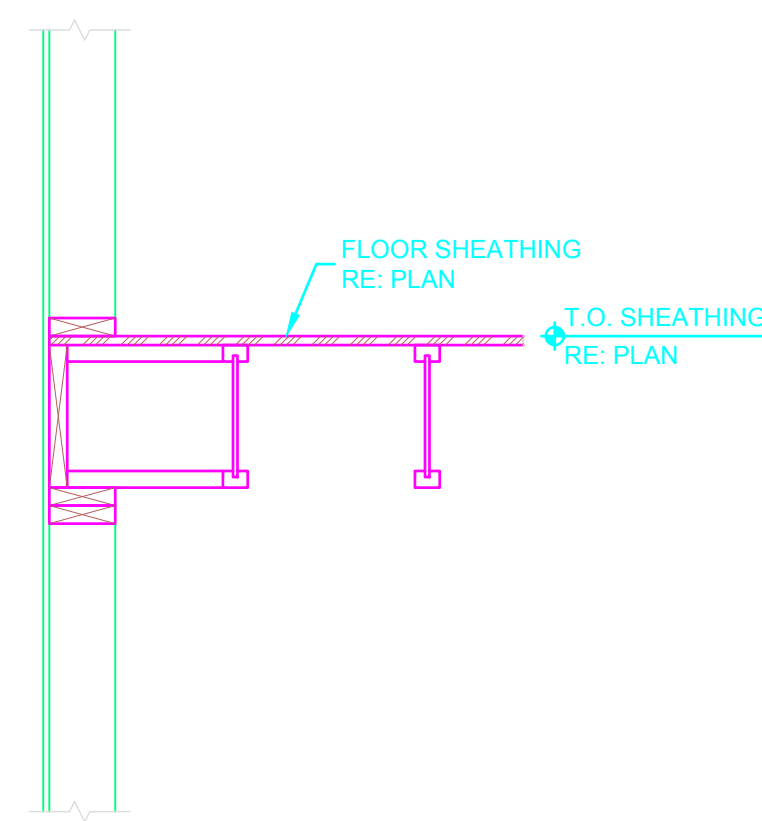
**5 JOIST BEARING AT SEPARATION WALL**  
SCALE: 3/4"=1'-0"



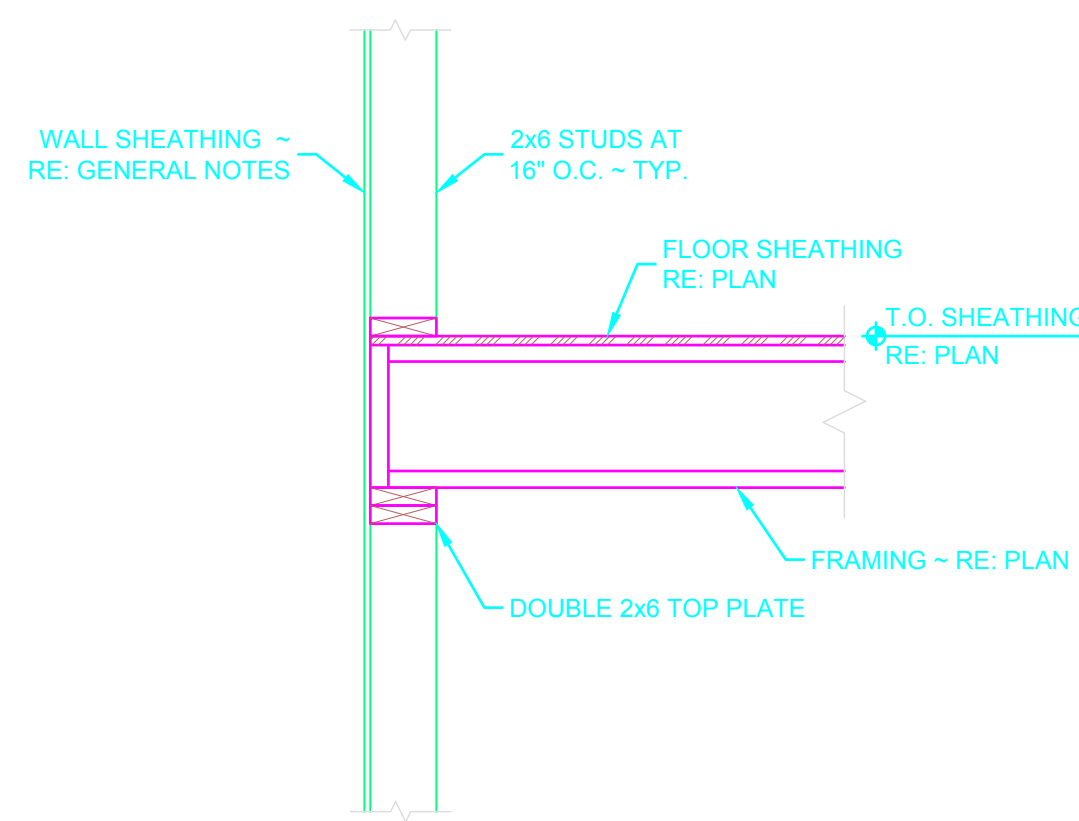
**2 FOUNDATION/FRAMING AT SEPARATION WALL**  
SCALE: 3/4"=1'-0"



**1 JOIST BEARING AT EXTERIOR FOUNDATION WALL**  
SCALE: 3/4"=1'-0"



**4 FLOOR JOISTS PARALLEL TO WALL**  
SCALE: 3/4"=1'-0"



**3 FLOOR JOIST BEARING AT EXTERIOR WALL**  
SCALE: 3/4"=1'-0"

DATE:	
REVISION DESCRIPTION:	

DRAWN: ABC  
DESIGNED: ABC  
CLIENT: 03/03/22  
DATE: 1/4"=1'-0"  
SCALE:

RESIDENTIAL DUPLEX  
STRUCTURAL  
CONSTRUCTION DRAWINGS

FOUNDATION & FRAMING DETAILS

DRAWING NO.: S201  
OF

DO NOT SCALE DRAWINGS. ALL DIMENSIONS IN FT & IN UNLESS NOTED OTHERWISE.

