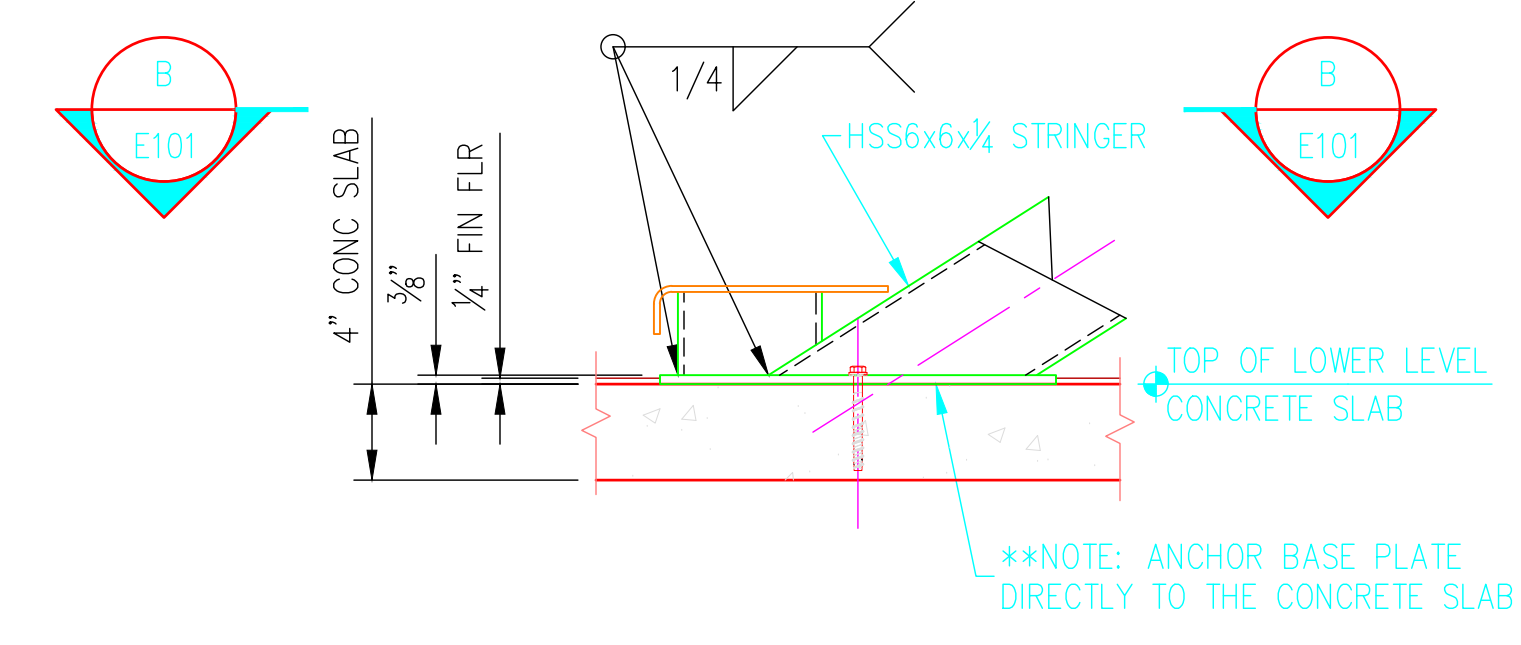
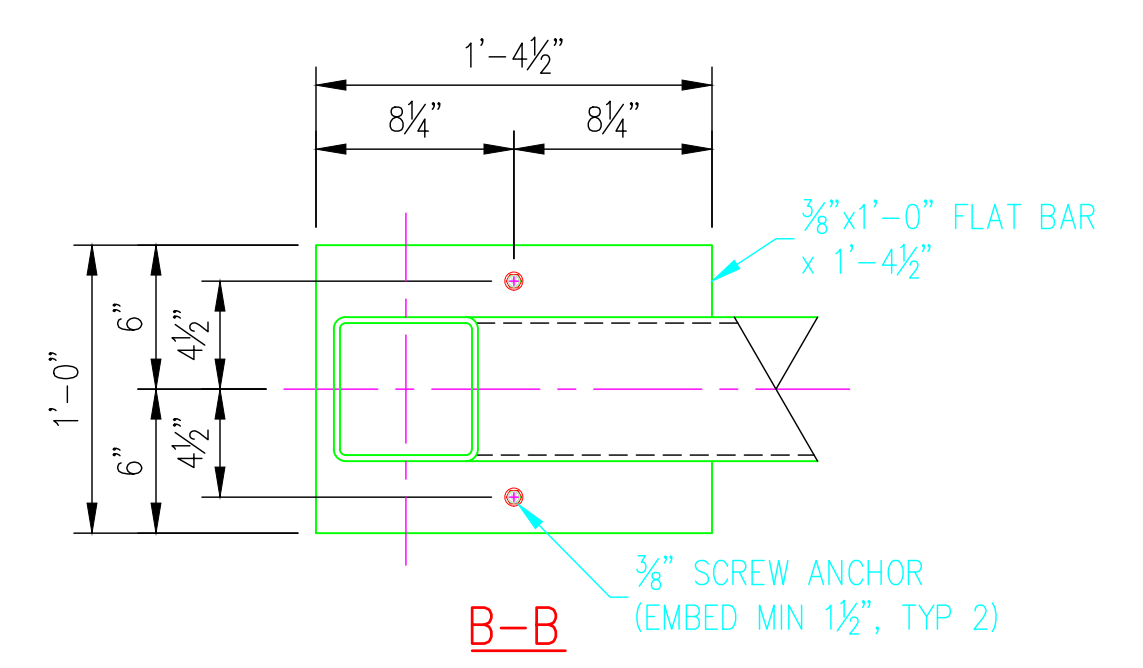
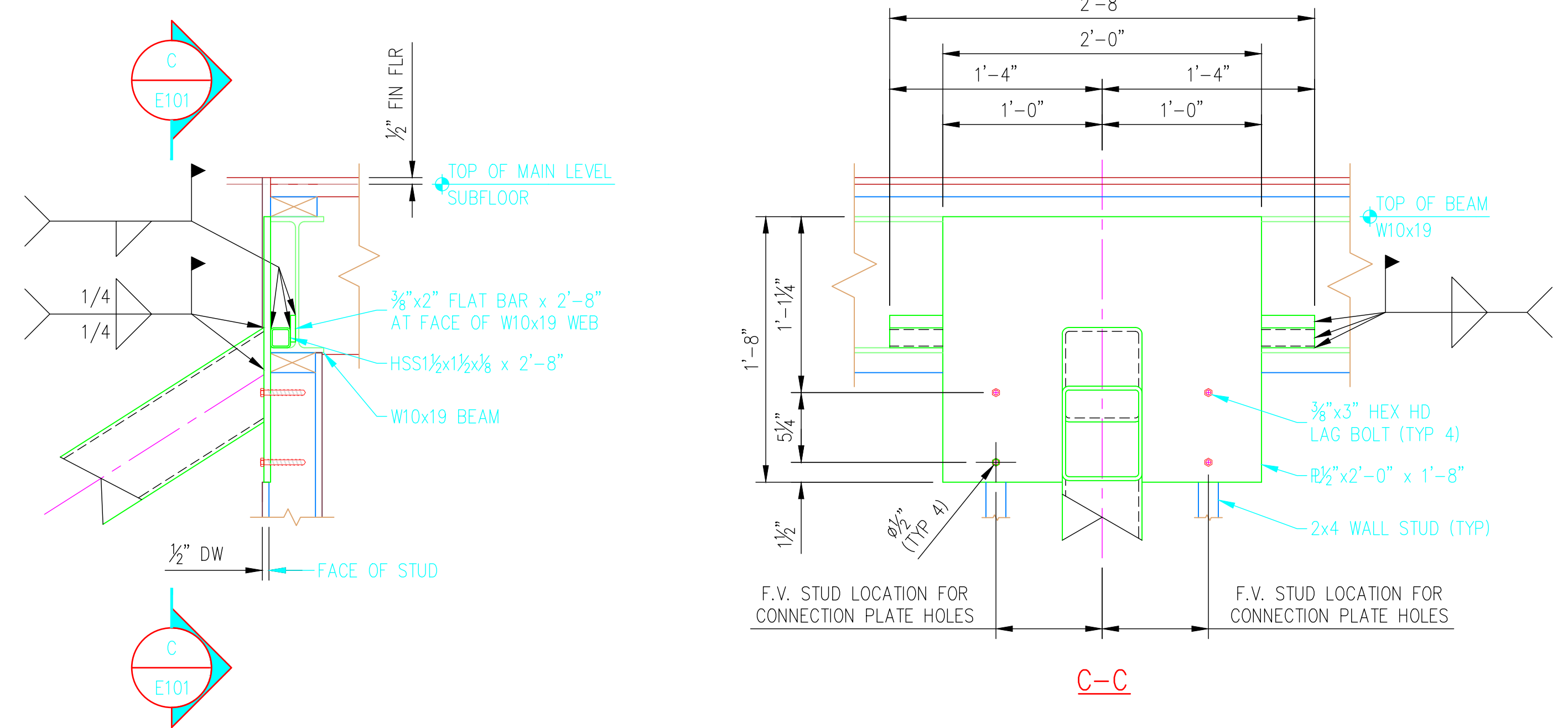


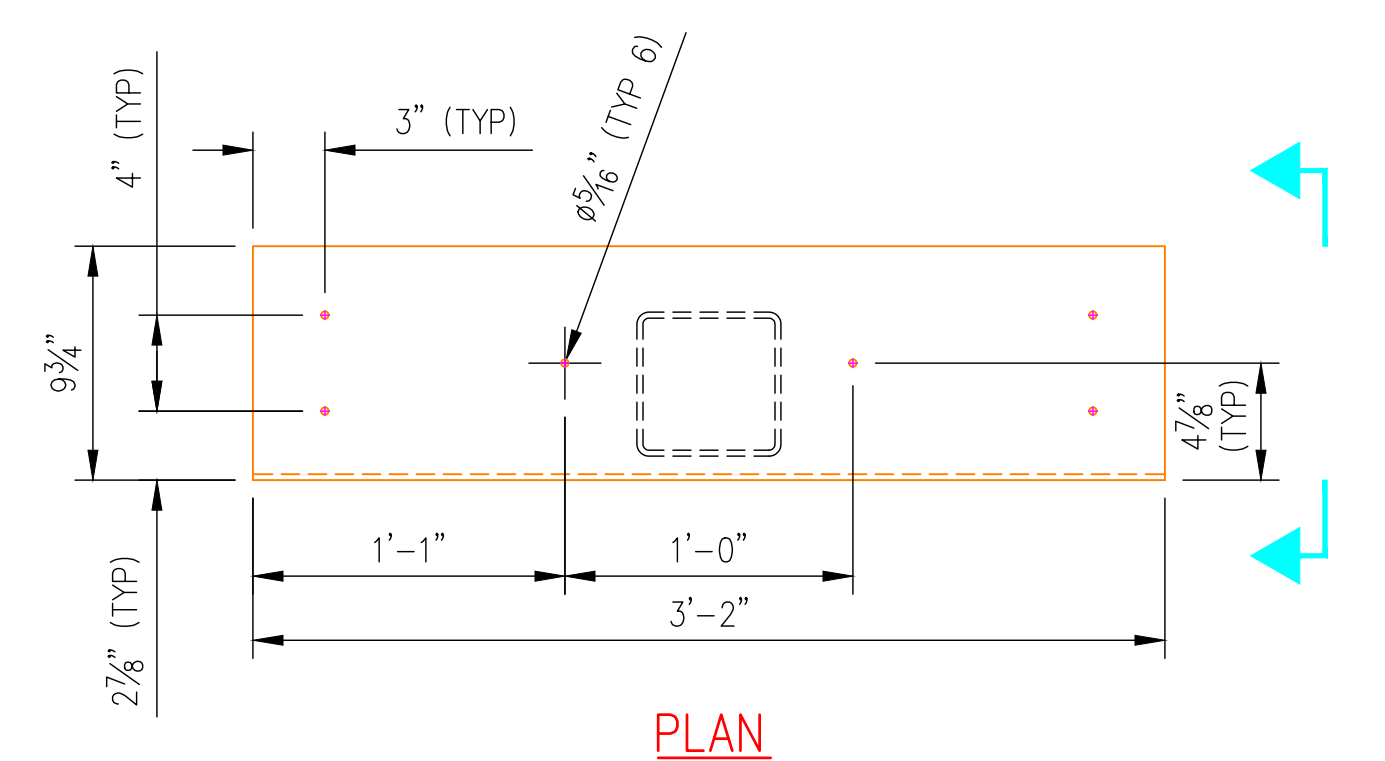
**A**  
COLUMN BASEPLATE



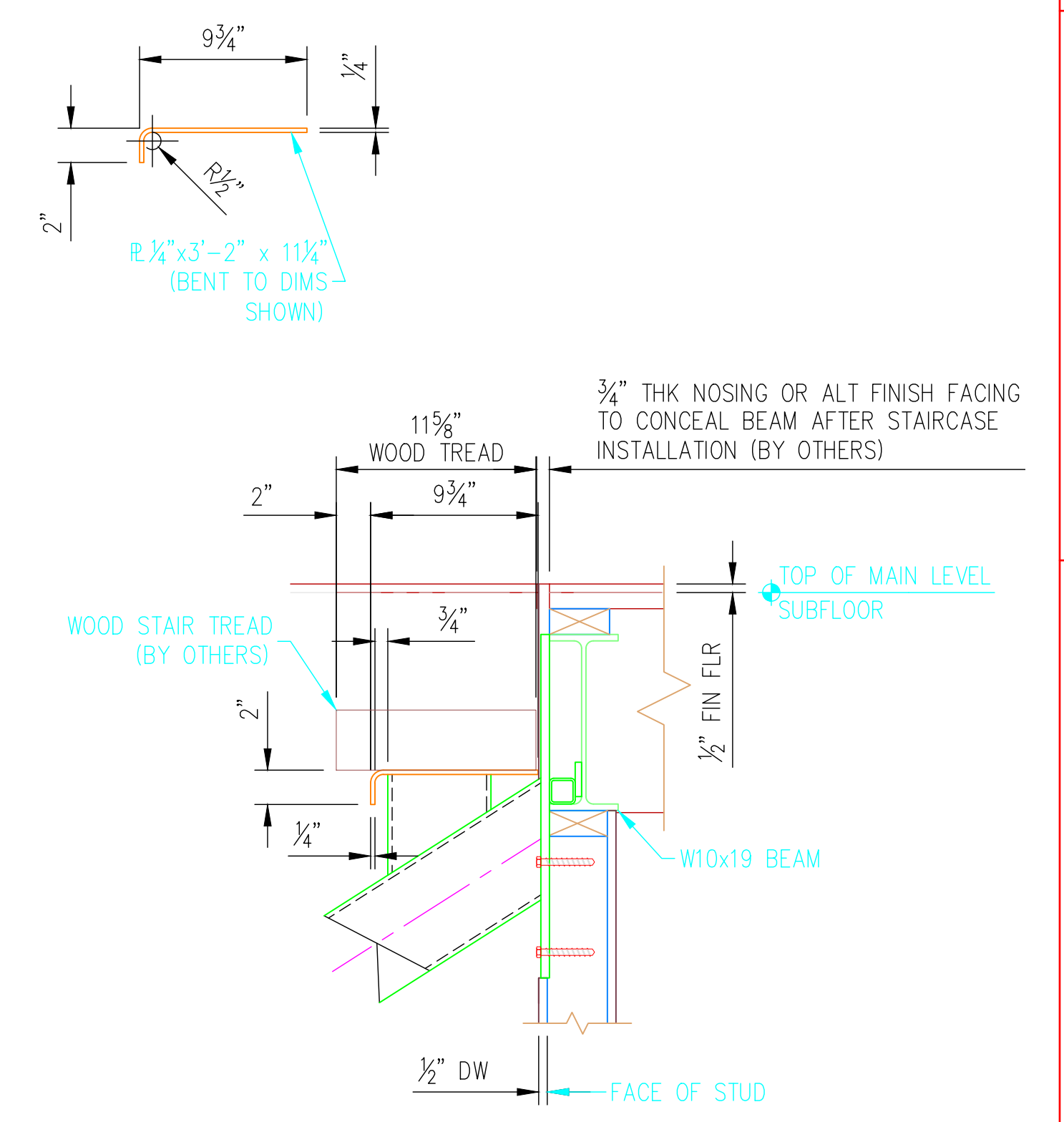
**B**  
LOWER STAIRCASE  
BASEPLATE



**C**  
UPPER STAIRCASE CONNECTION  
PLATE AT W10x19 BEAM  
(TOP TREAD NOT SHOWN  
FOR CLARITY)



**D**  
STAIR TREAD  
BRAKEFORMED PLATE  
(TYP 16)



**E**  
UPPER STAIR TREAD  
AT MAIN LEVEL  
W10x19 BEAM

DATE:	
REV:	
REVISION DESCRIPTION:	
ABC	
ANDY'S BEST CAD 1323 CARLYLE PARK CIRCLE HIGHLANDS RANCH, CO 80129 303-808-3352 WWW.ANDYSBESTCAD.COM	
DRAWN: ABC	DESIGNED: ABC
CLIENT: 01/18/23	SCALE: AS SHOWN
PROJECT:	MONORAIL STAIRCASE FRANKTOWN, CO STRUCTURAL STEEL SHOP DRAWINGS
DRAWING TITLE:	STAIRCASE CONNECTION & BRAKEFORMED PLATE DETAILS
DRAWING NO.:	S12/101 or

FOR FABRICATION  
01/18/23

©2023 ANDY'S BEST CAD. ALL RIGHTS RESERVED. THIS DRAWING IS THE PROPERTY OF ANDY'S BEST CAD AND IS PROTECTED BY COPYRIGHT LAWS OF THE UNITED STATES OF AMERICA. ANY UNAUTHORIZED USE OF THE INFORMATION CONTAINED HEREIN OR REPRODUCTION THEREOF DOES NOT CONFER OR TRANSFER ANY RIGHT TO MAKE, COPY, MANUFACTURE AND/OR SELL EITHER THE DRAWING OR THE ITEMS SHOWN THEREIN.