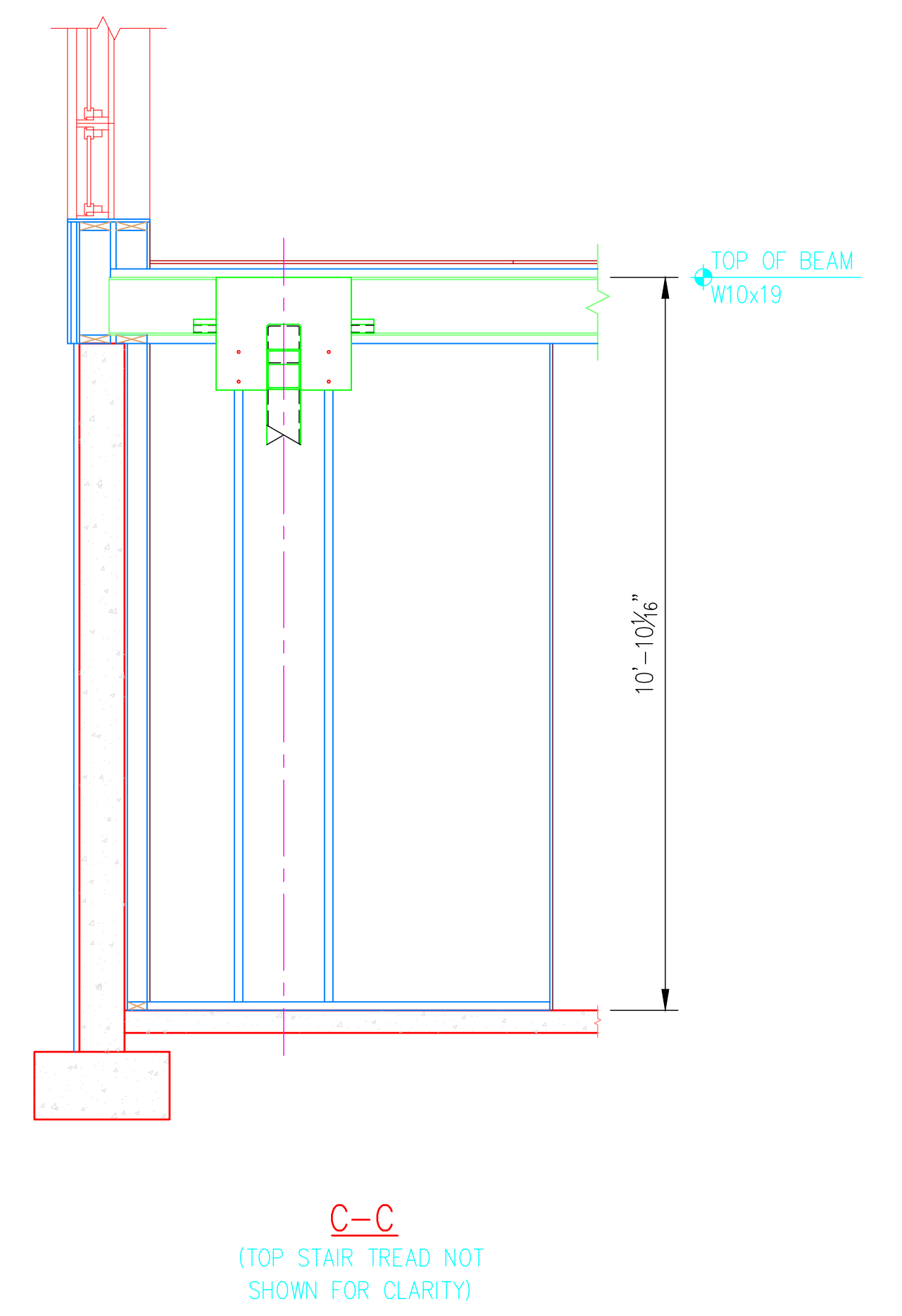
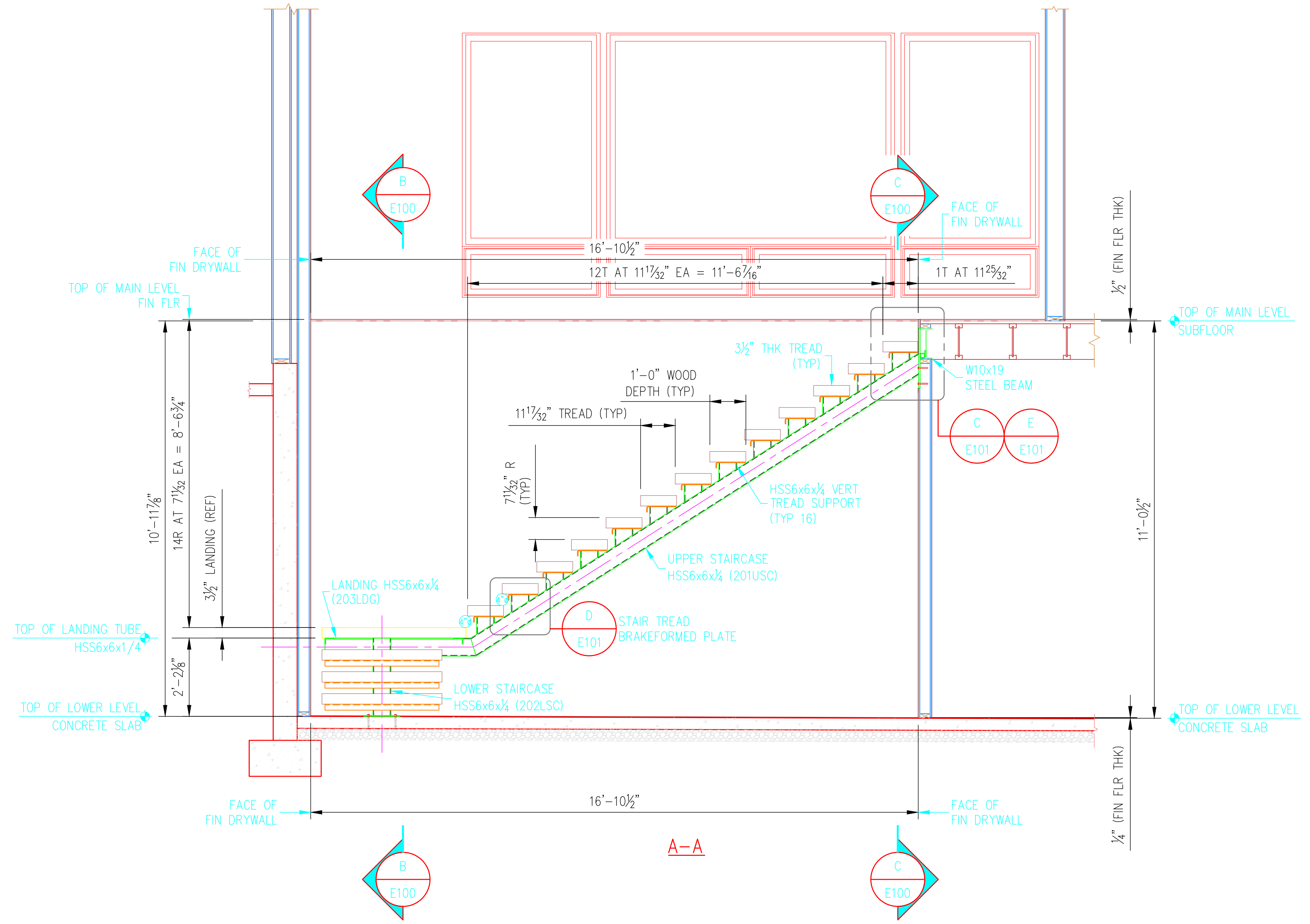
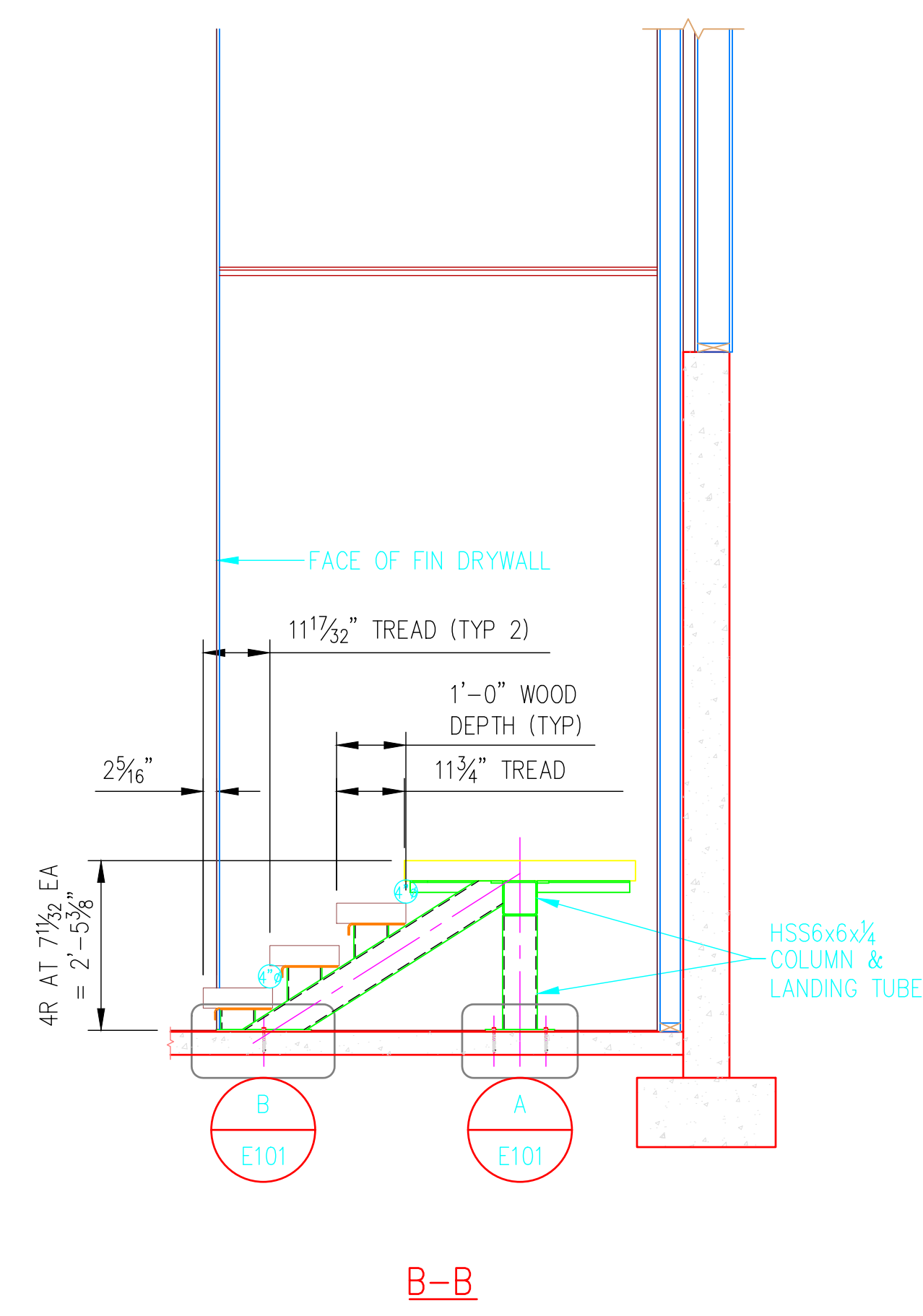
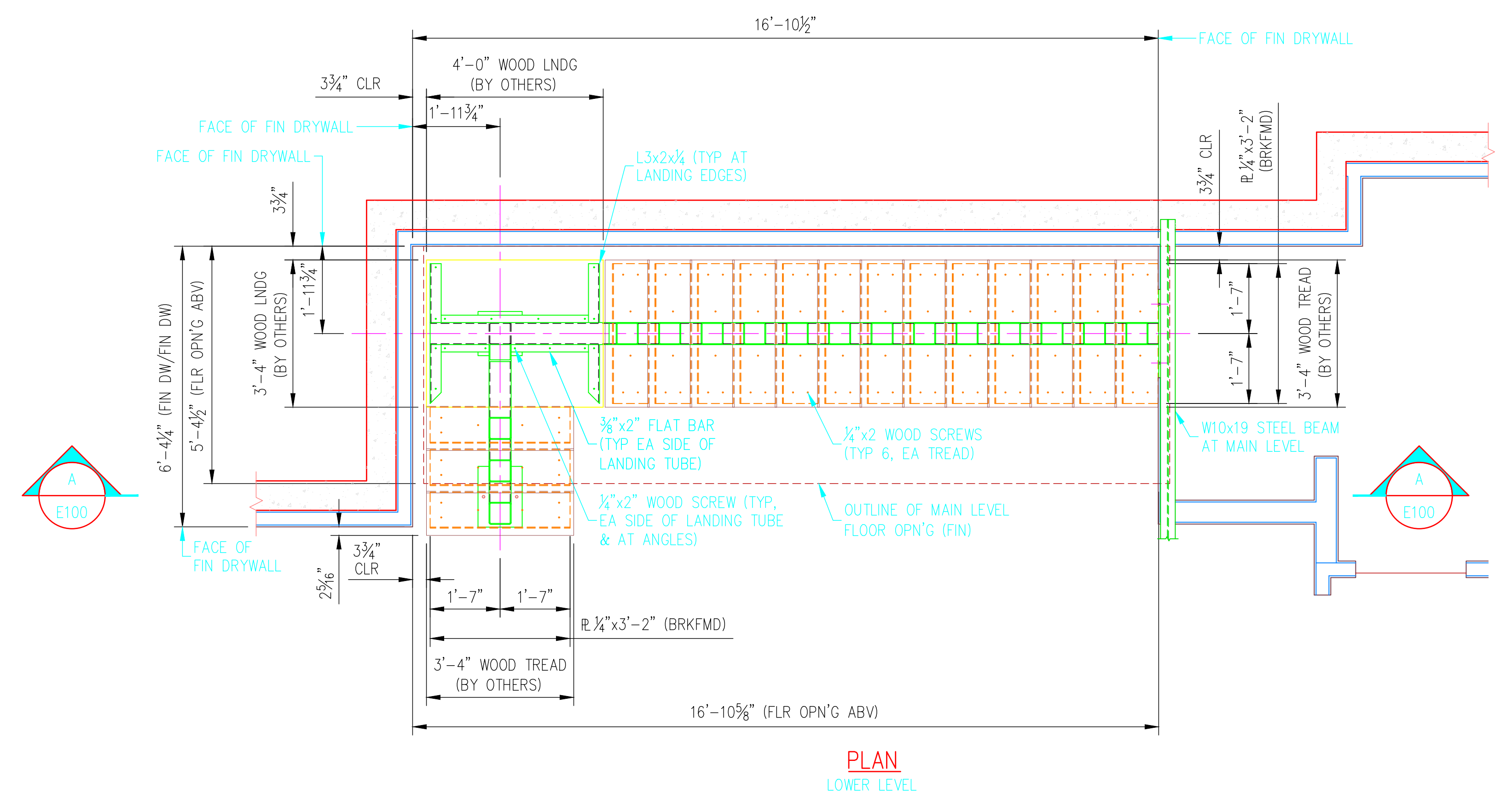
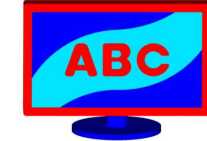


©2023 ANDY'S BEST CAD. ALL RIGHTS RESERVED. THIS DRAWING IS THE PROPERTY OF ANDY'S BEST CAD AND IS PROTECTED BY COPYRIGHT LAWS OF THE UNITED STATES OF AMERICA. ANY UNAUTHORIZED USE OF THE INFORMATION CONTAINED HEREIN OR PART THEREOF IS STRICTLY PROHIBITED. RECEIPT OR POSSESSION THEREOF DOES NOT CONFER OR TRANSFER ANY RIGHT TO MAKE, COPY, MANUFACTURE AND/OR SELL EITHER THE DRAWING OR THE ITEMS SHOWN THEREON.



DATE:	
REV:	
REVISION DESCRIPTION:	
	
ANDY'S BEST CAD 1323 CARLYLE PARK CIRCLE HIGHLANDS RANCH, CO 80129 303-808-3352 WWW.ANDYSBESTCAD.COM	
DRAWN: ABC DESIGNED: CLIENT: DATE: 01/18/23 SCALE: AS SHOWN	PROJECT: MONORAIL STAIRCASE FRANKTOWN, CO STRUCTURAL STEEL SHOP DRAWINGS
DRAWING TITLE: STAIRCASE GENERAL ARRANGEMENT	
DRAWING NO.: S12/100 OF	

FOR FABRICATION
01/18/23