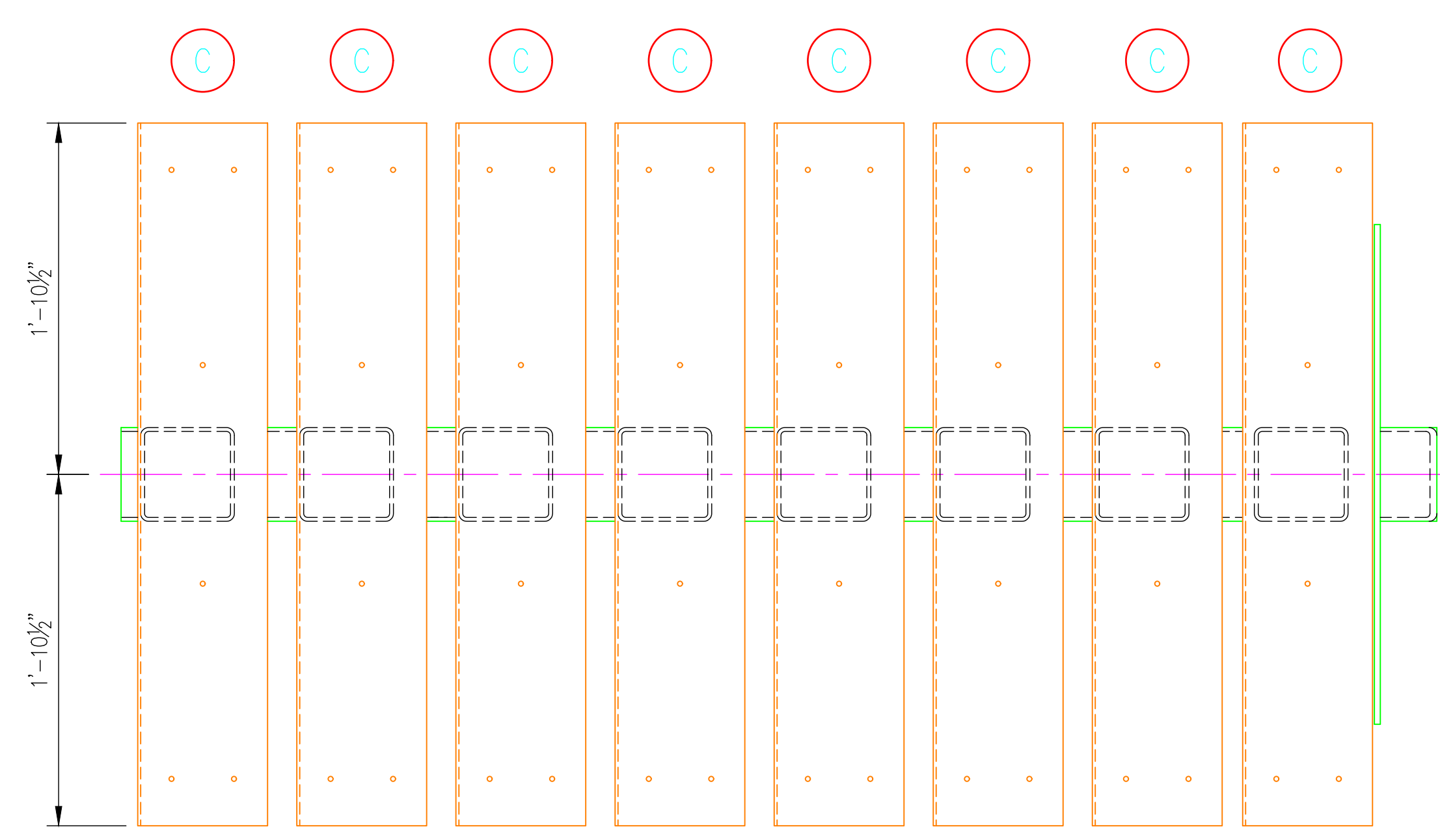
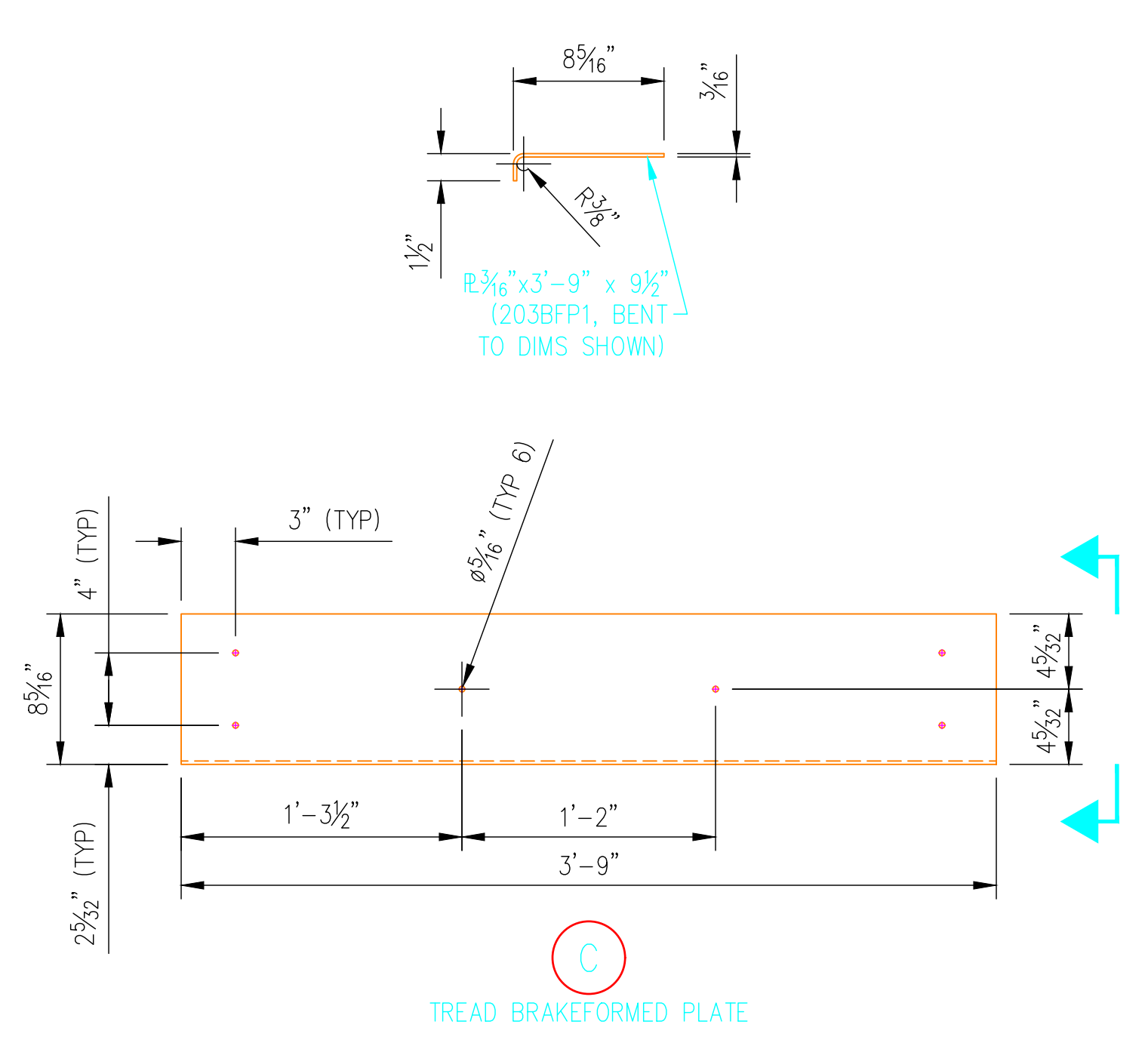


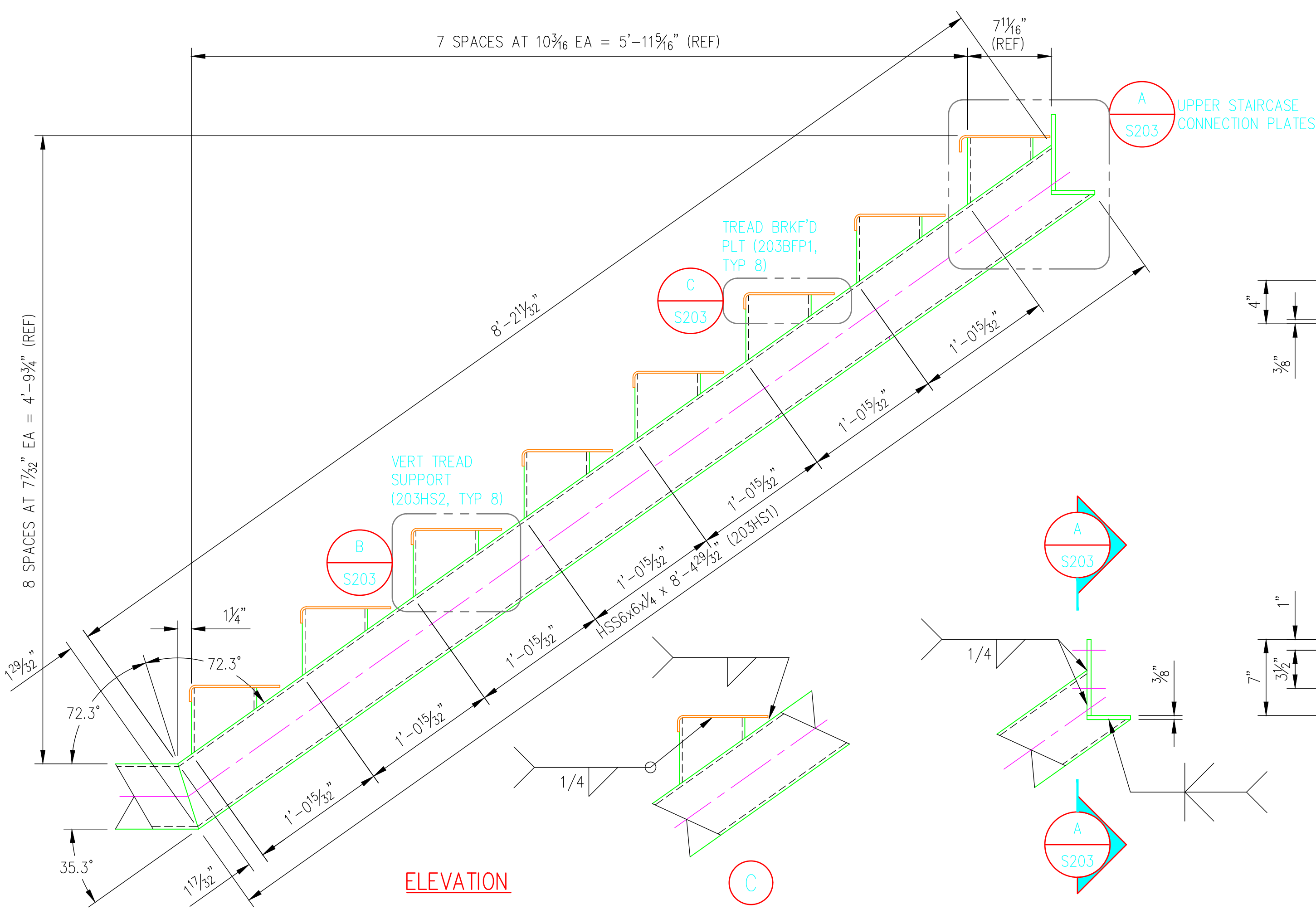
©2023 ANDY'S BEST CAD. ALL RIGHTS RESERVED. THIS DRAWING IS THE PROPERTY OF ANDY'S BEST CAD AND IS PROTECTED BY COPYRIGHT LAWS OF THE UNITED STATES OF AMERICA. ANY UNAUTHORIZED USE OF THE INFORMATION CONTAINED HEREIN OR REPRODUCTION THEREOF DOES NOT CONFER OR TRANSFER ANY RIGHT TO MAKE, COPY, MANUFACTURE AND/OR SELL EITHER THE DRAWING OR THE ITEMS SHOWN THEREIN.



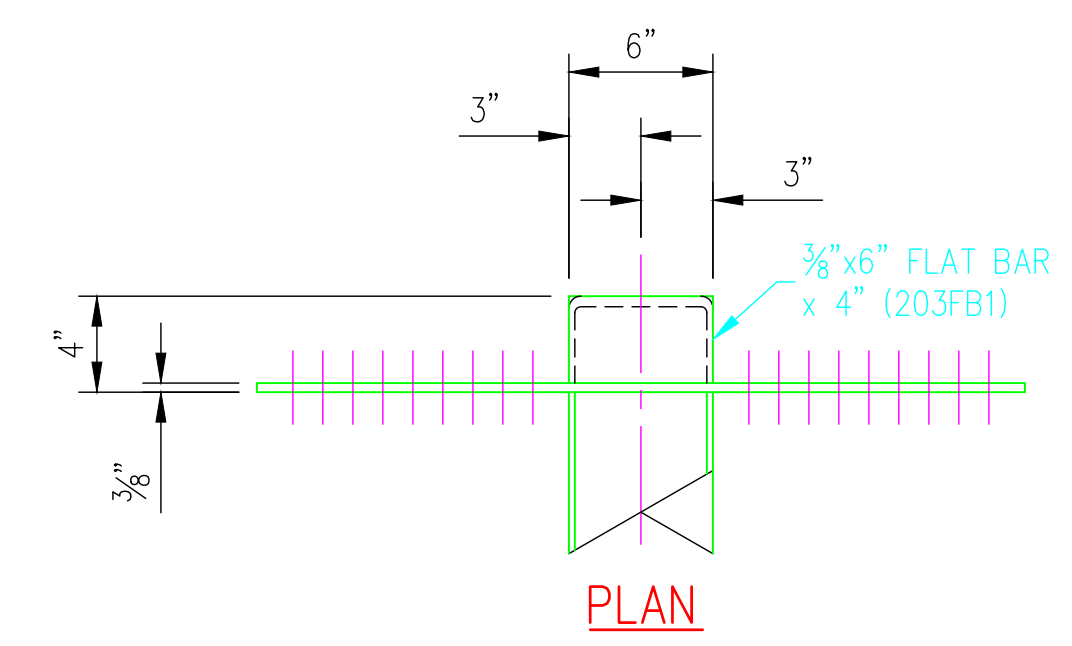
PLAN



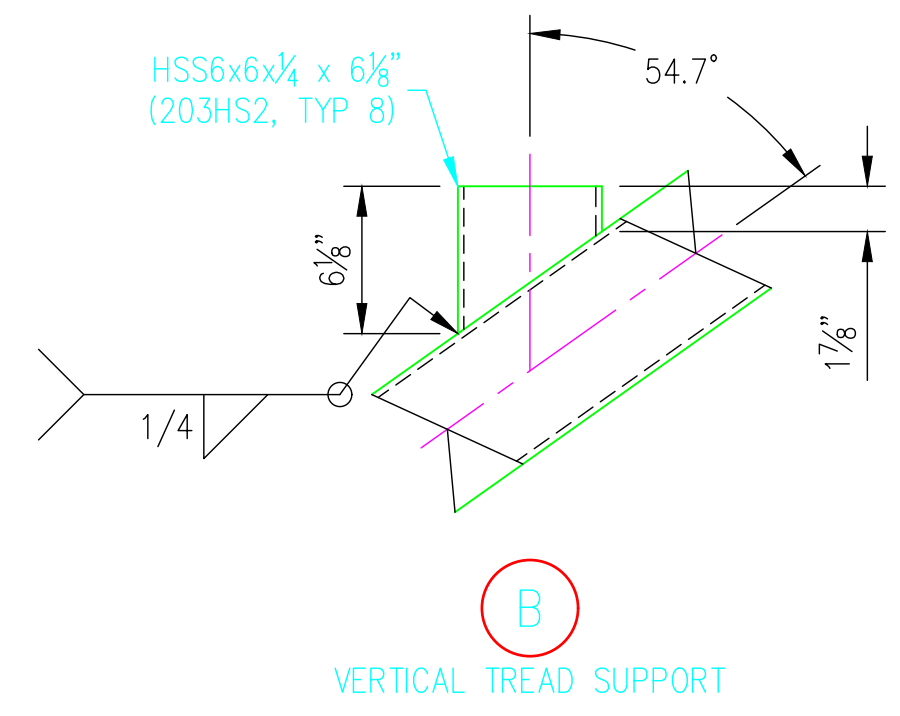
TREAD BRAKEFORMED PLATE



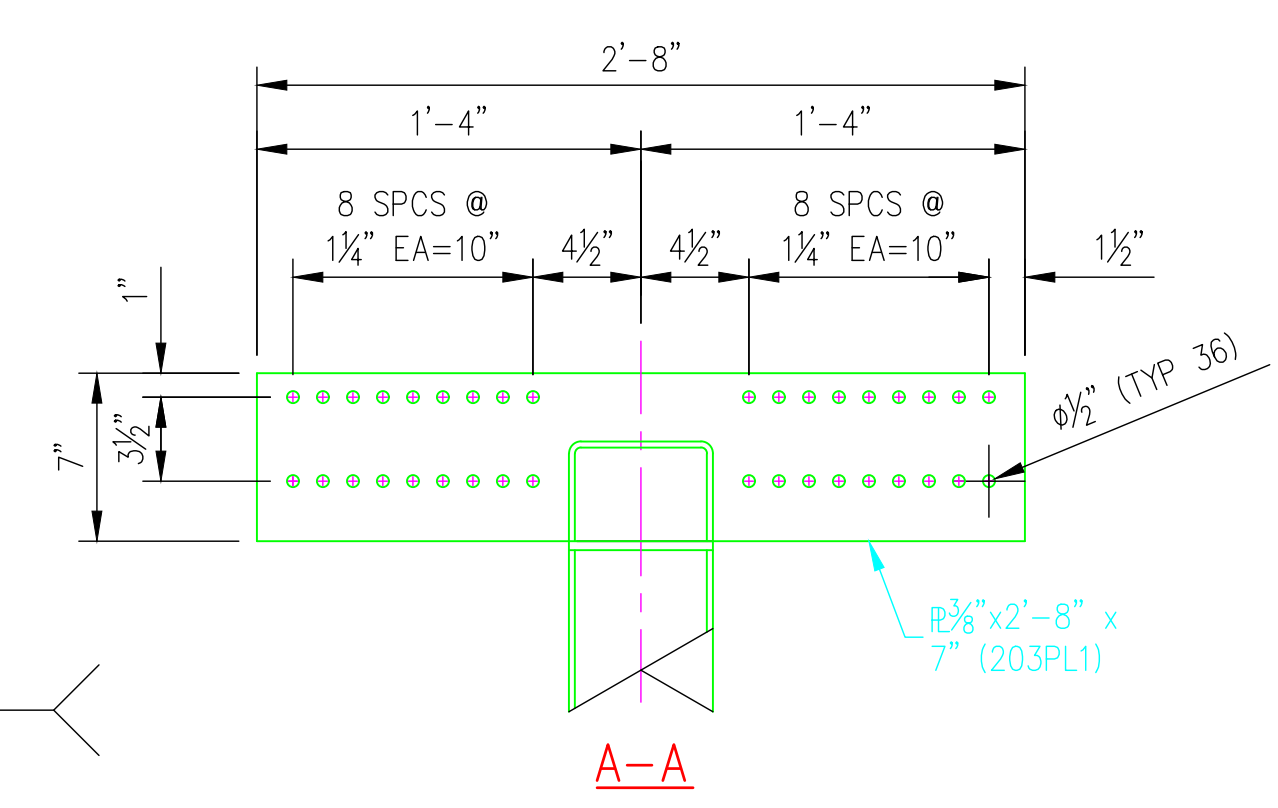
ELEVATION



PLAN

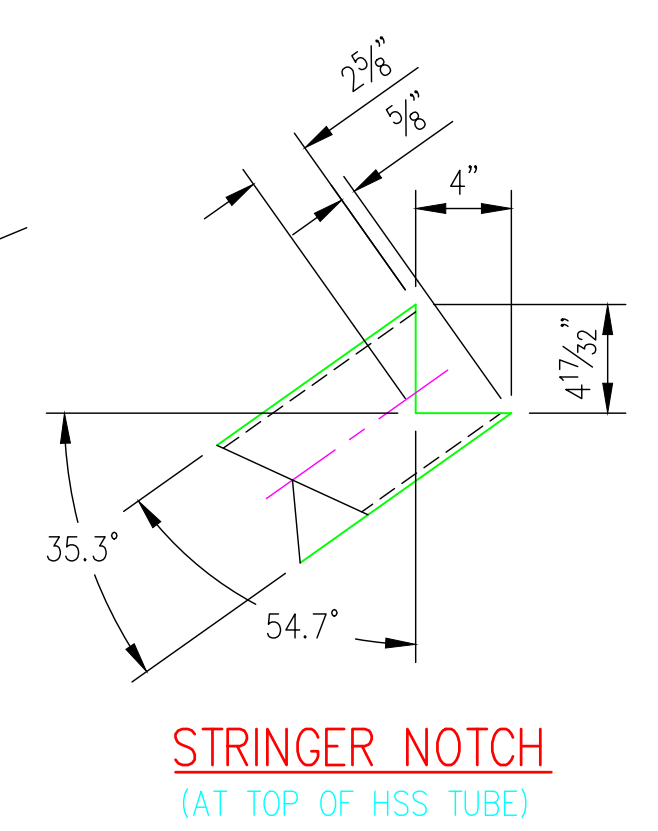


VERTICAL TREAD SUPPORT



A-A

UPPER STAIRCASE CONNECTION PLATES (TOP TREAD NOT SHOWN FOR CLARITY)

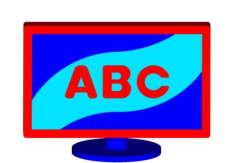


STRINGER NOTCH (AT TOP OF HSS TUBE)

BILL OF MATERIAL					
MARK	QTY	DESCRIPTION	FT	IN	REMARKS
	1	MONORAIL STAIRCASE STRUCTURE			
203USC	1	UPPER STAIRCASE			
203HS1	1	HSS6x6x4	8	4 5/8	
203PL1	1	#3/8"x2'-8"	0	7	
203FB1	1	3/8"x6" FLAT BAR	0	4	
203HS2	8	HSS6x6x4	0	6 1/2	
203BFP1	8	#3/8"x3'-9"	0	9 1/2	BRAKEFORMED

ALL SIZES SHOWN ARE FOR FINISHED MATERIALS

DATE:	
REVISION DESCRIPTION:	



ANDY'S BEST CAD
1323 CARLYLE PARK CIRCLE
HIGHLANDS RANCH, CO 80129
303-808-3352
WWW.ANDYSBESTCAD.COM

DRAWN: ABC
DESIGNED:
CLIENT: 01/18/23
DATE: AS SHOWN
SCALE:

MONORAIL STAIRCASE
DENVER, COLORADO
STRUCTURAL STEEL
SHOP DRAWINGS

PROJECT:

FOR FABRICATION
01/18/23

MATERIAL, COATING & FABRICATION SPECIFICATIONS	
MATERIALS & FABRICATION	COATINGS
ROLLED W SHAPES: ASTM A572	PRIME & PAINT STEEL AFTER FABRICATION
ROLLED CHANNELS, ANGLES, PLATES: ASTM A572	
HSS TUBES: ASTM A500, GRADE B	
PIPES: ASTM A53, GRADE B	
HEADED ANCHOR STUDS: ASTM A108	
FASTENERS: ASTM A325 OR A490	
SURFACE PREP: SSPC-SP6	
WELDING: AWS D1.1, AWS A5.1 CLASS E70XX-LOW HYDROGEN ELECTRODES	DO NOT SCALE DRAWINGS. ALL DIMENSIONS IN FT & IN UNLESS NOTED OTHERWISE.

DRAWING TITLE:

UPPER STAIRCASE

DRAWING NO.:
S10/203
or