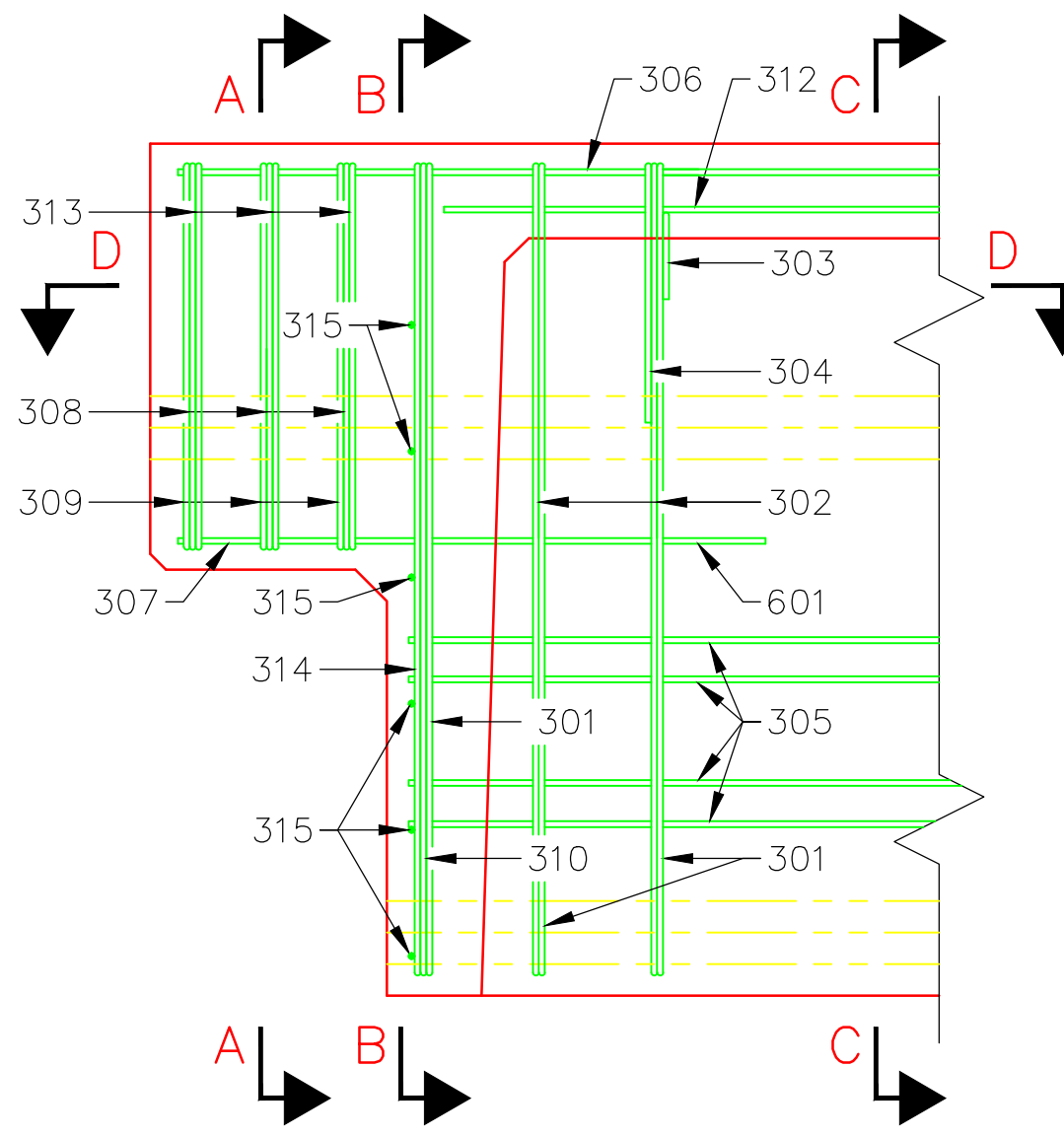
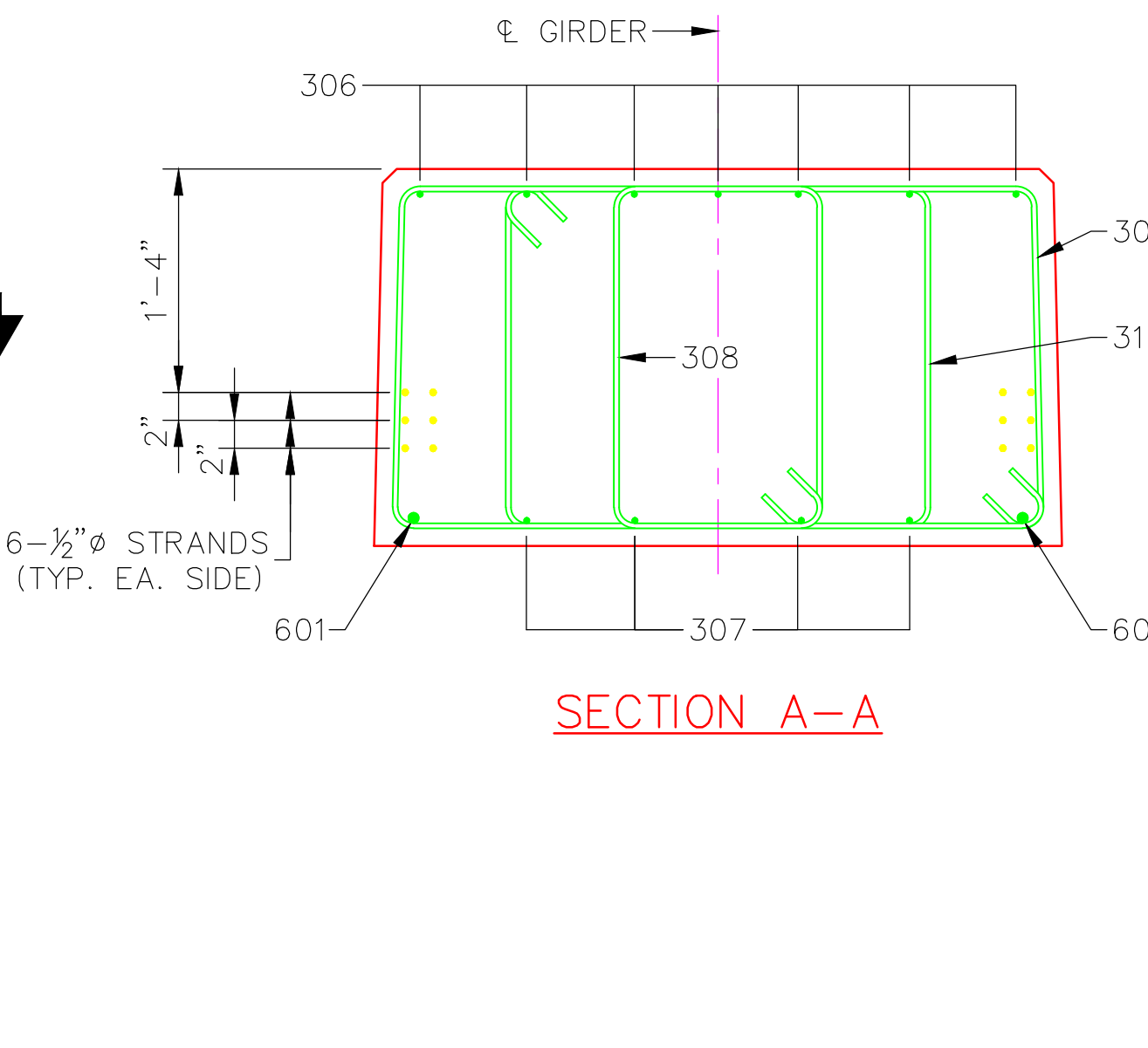


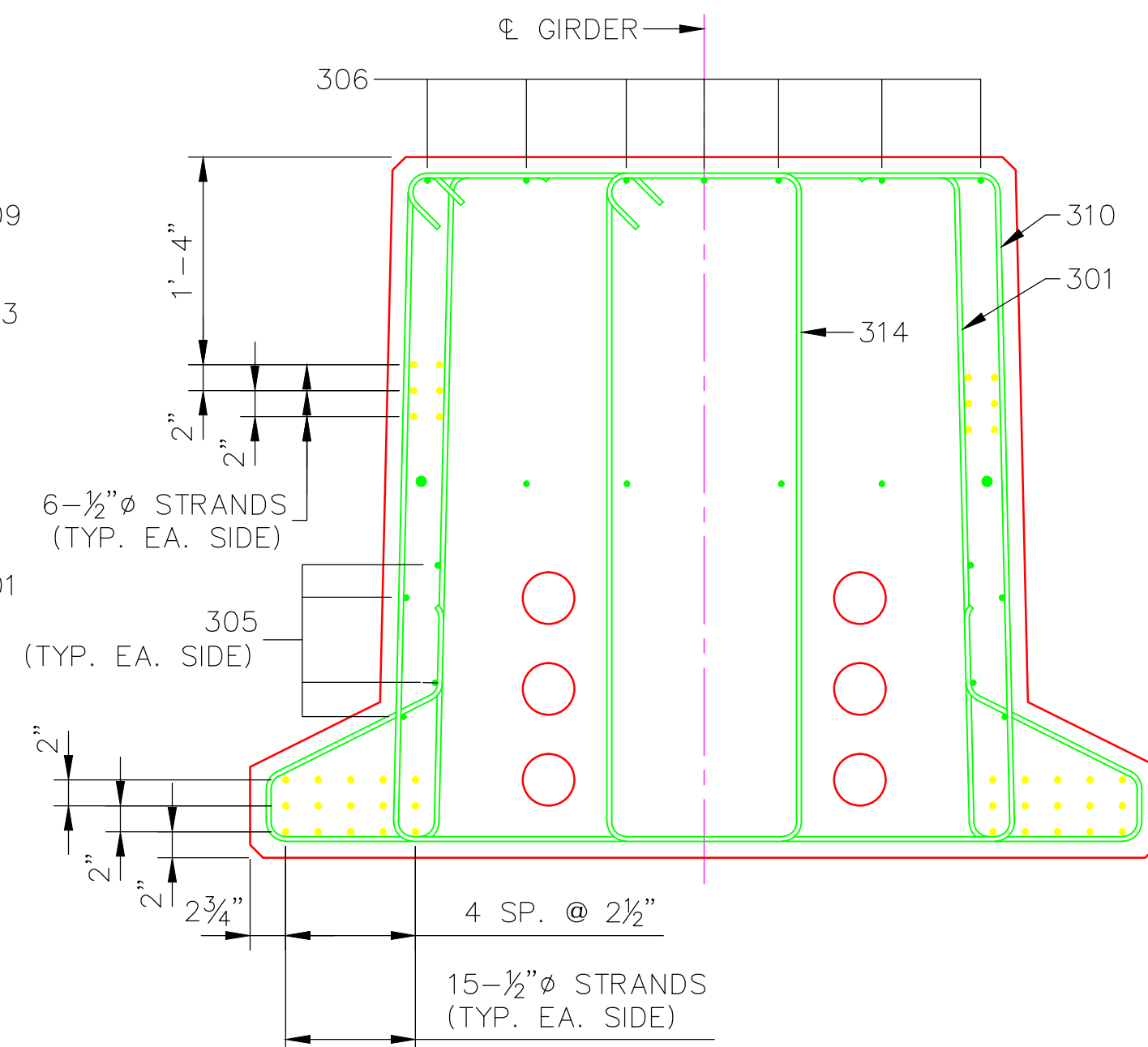
**GIRDER ELEVATION**



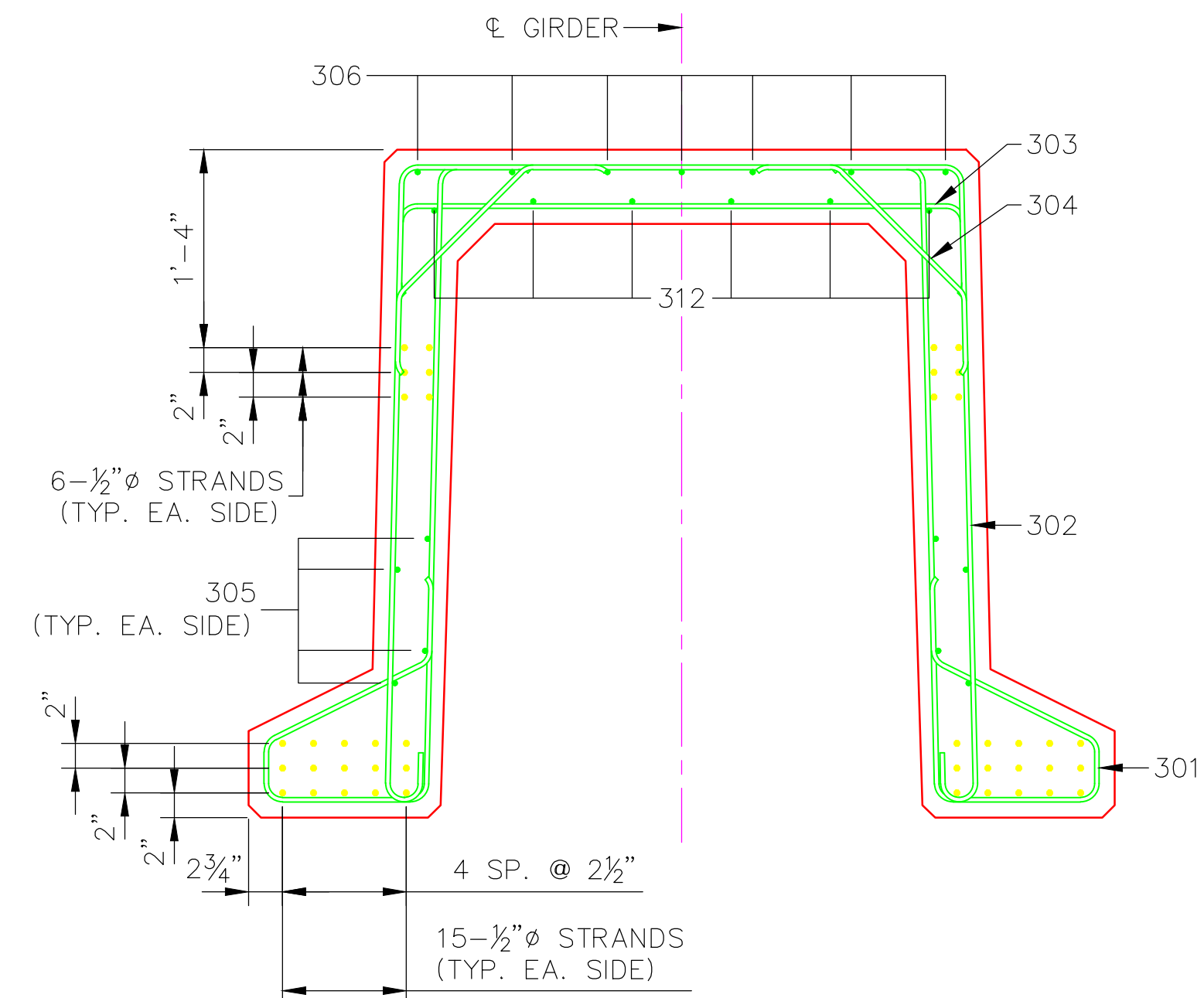
**END BLOCK SECTION AT CL OF GIRDER**



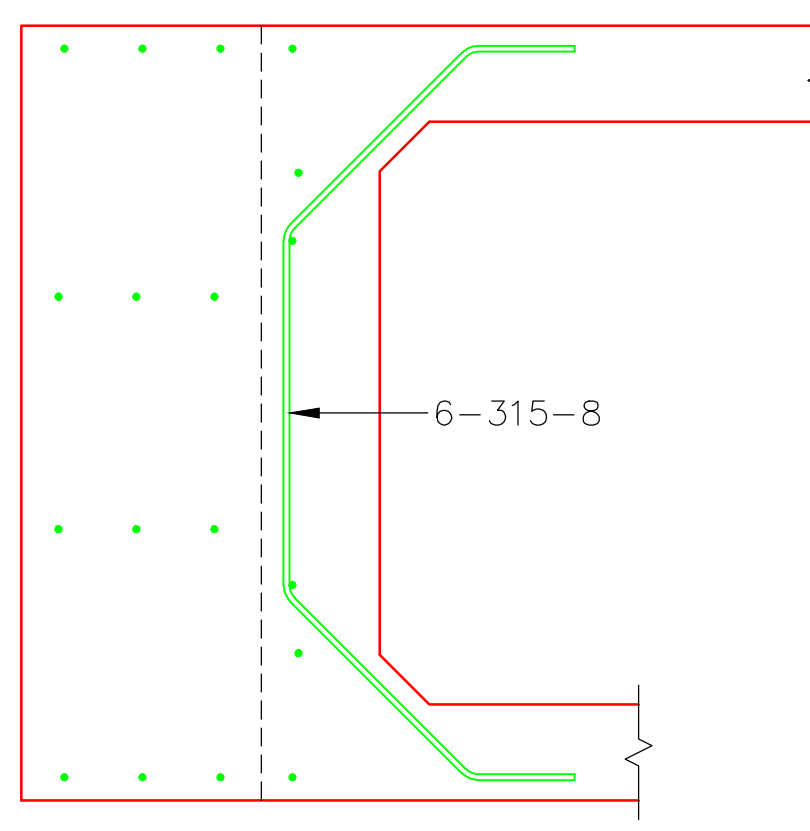
**SECTION A-A**



**SECTION B-B**



**SECTION C-C TYPICAL GIRDER SECTION**



**SECTION D-D**

**NOTES**

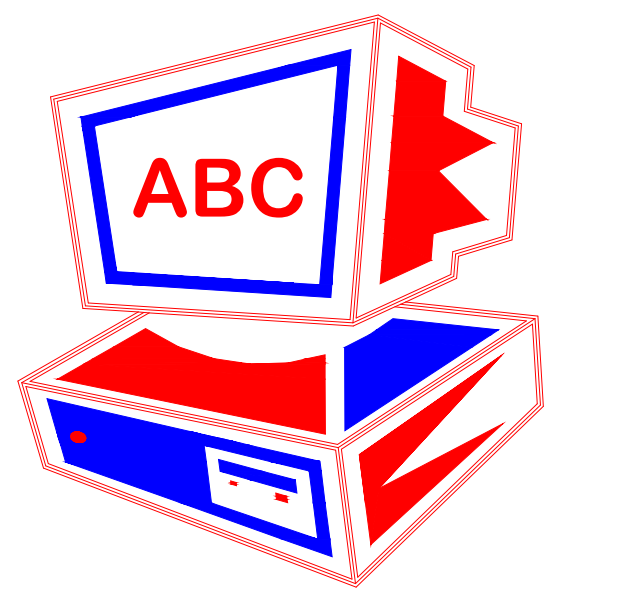
CONCRETE CLASSES: 28-DAY CYLINDER STRENGTH (P.S.I.)    MAXIMUM AGGREGATE SIZE (IN.)  
 PRECAST GIRDERS: 6,000    3/4  
 STRESSING: PRESTRESSING SHALL NOT BE APPLIED UNTIL 48 HOURS AFTER CASTING OR UNTIL CONCRETE HAS ATTAINED A STRENGTH OF 4,500 PSI, WHICHEVER IS LATER  
 REINFORCEMENT GRADE: AASHTO M31/ASTM A615 GRADE 60, DEFORMED BARS  
 COVER: 1 1/4 IN. UNLESS NOTED OTHERWISE

**PRESTRESSING STRAND:**

1/2" DIA. 7-WIRE STRANDS TO ASTM A416, GRADE 270. PRETENSION STRANDS TO 30,983 LBS. EA.  
**DIMENSIONING**  
 ALL DIMENSIONS ARE GIVEN IN FEET AND INCHES UNLESS NOTED OTHERWISE  
 REINFORCING BAR DESIGNATION  
 NUMBER OF BARS: 88-1001-12 BAR SPACING  
 BAR SIZE: DESIGNATION MARK  
 MIN. LAP: 9" FOR STRAIGHT BARS IN LONG LENGTHS

ABC NO: S10    DATE: 07/03/13

**Andy's Best CAD**  
 1323 Carlyle Park Circle  
 Highlands Ranch, CO 80129  
 303-808-3352  
 andysbestcad@yahoo.com  
 www.andysbestcad.com



**ISSUE:**

NO:	DATE:	ISSUE:

DRAWN: A.LANDT  
 DESIGNED:  
 CHECKED:  
 CLIENT JOB NO.:  
 DATE: 07/03/13  
 FILE: ABC-S10-115.dwg

**DRAWING TITLE:**  
**TYPICAL 88 FT SPAN GIRDER REINFORCEMENT**

**DRAWING NUMBER:**  
**S10/115**

©2013 ANDY'S BEST CAD. ALL RIGHTS RESERVED. THIS DRAWING IS THE PROPERTY OF ANDY'S BEST CAD AND IS PROTECTED BY COPYRIGHT LAWS OF THE UNITED STATES OF AMERICA. ANY UNAUTHORIZED USE OF THE INFORMATION CONTAINED HEREIN OR PART THEREOF IS STRICTLY FORBIDDEN. ACCEPT BY POSSESSION THEREOF DOES NOT CONVEY OR TRANSFER ANY RIGHT TO MAKE, COPY, MANUFACTURE, ANY/OR SELL EITHER THE DRAWING OR THE ITEMS SHOWN THEREON.