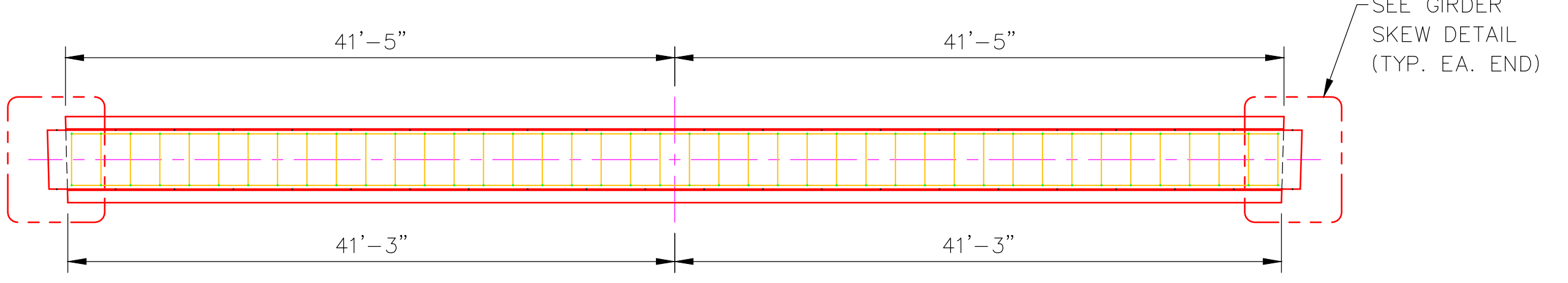
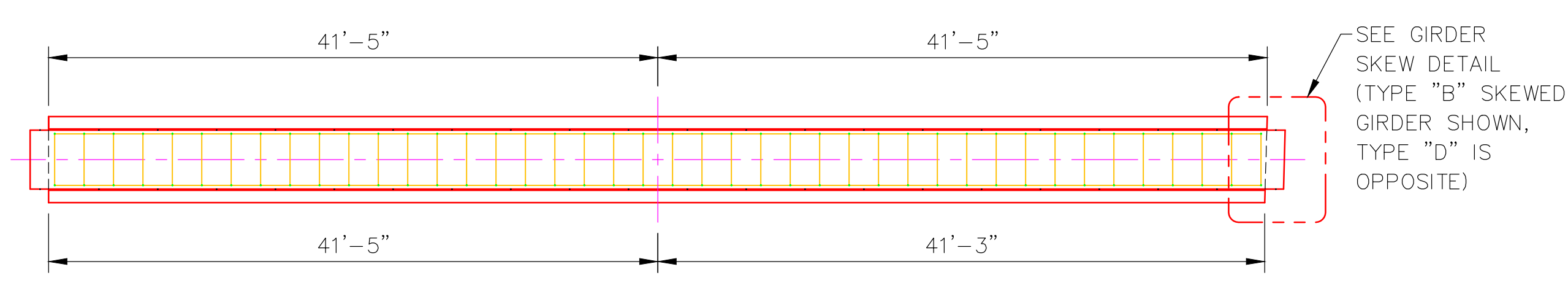
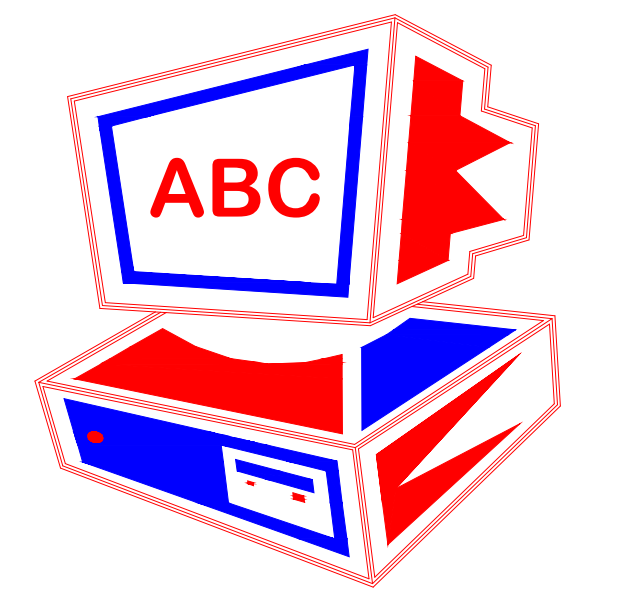


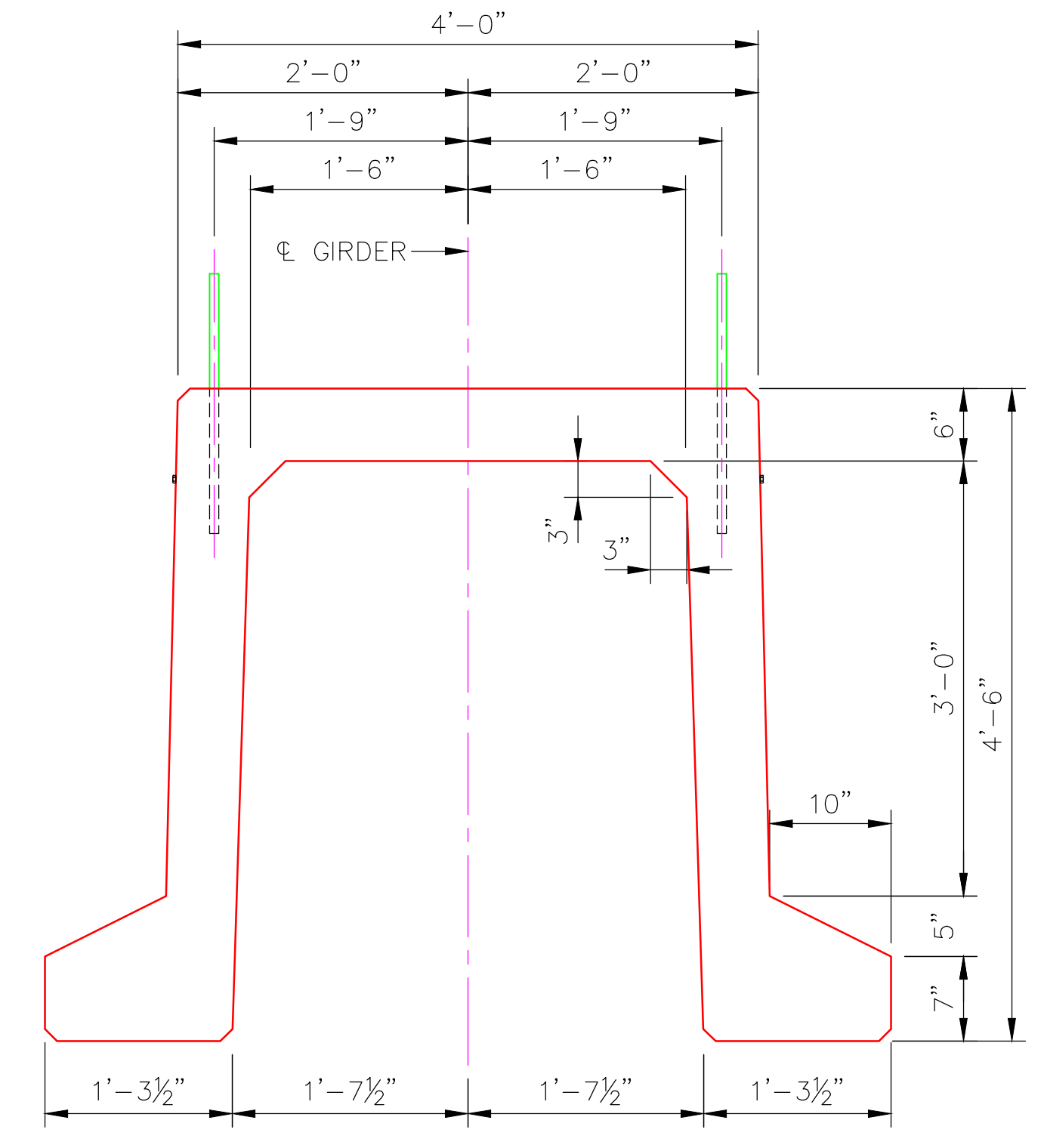
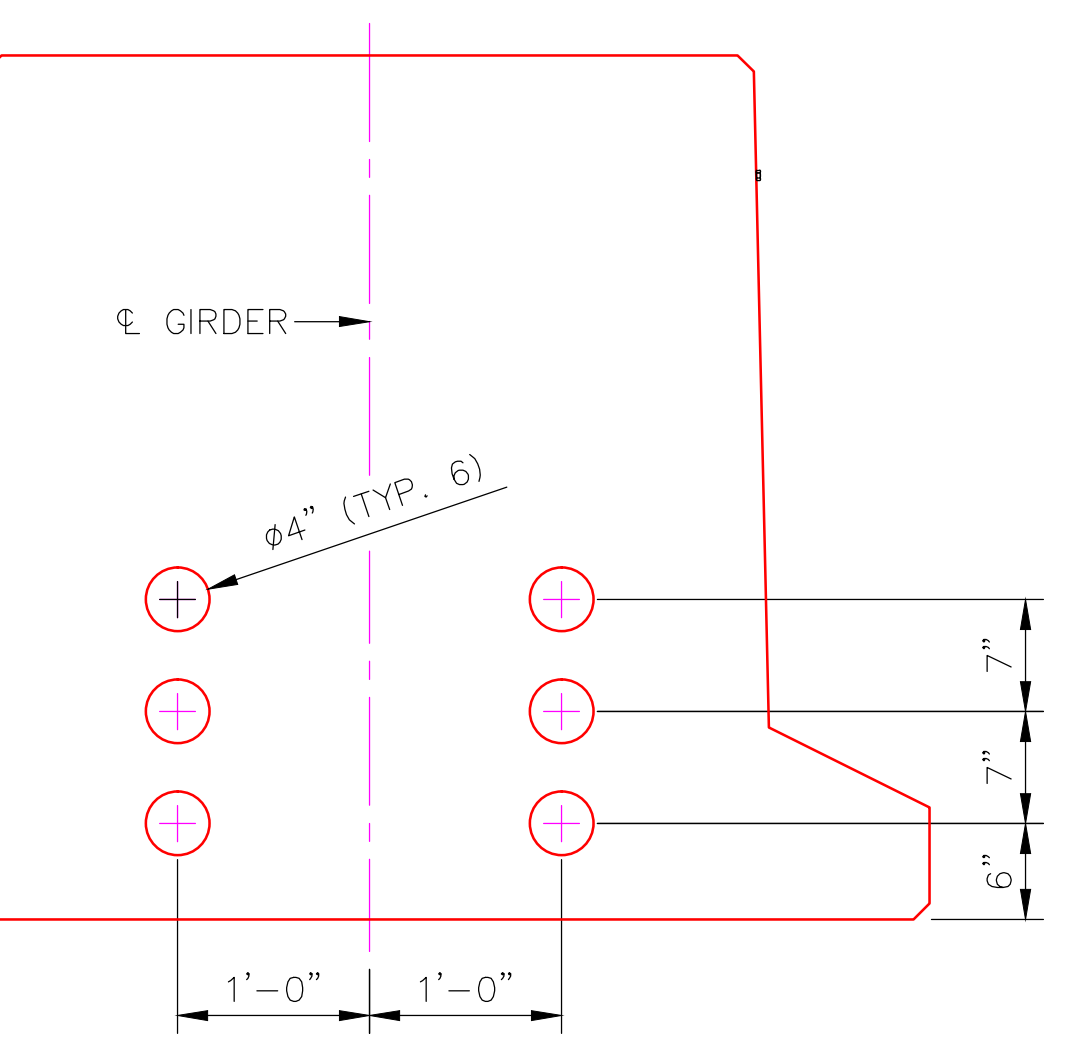
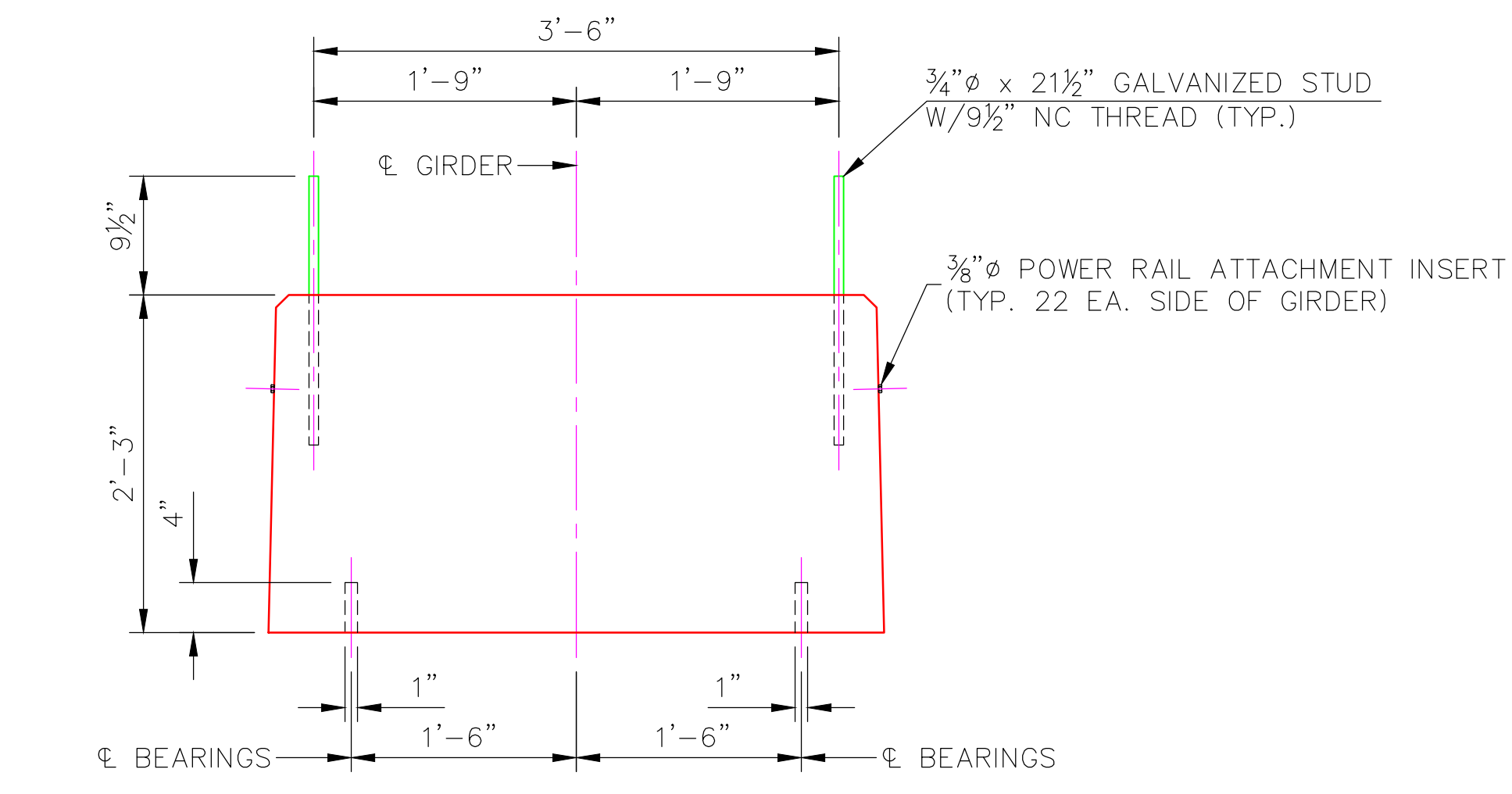
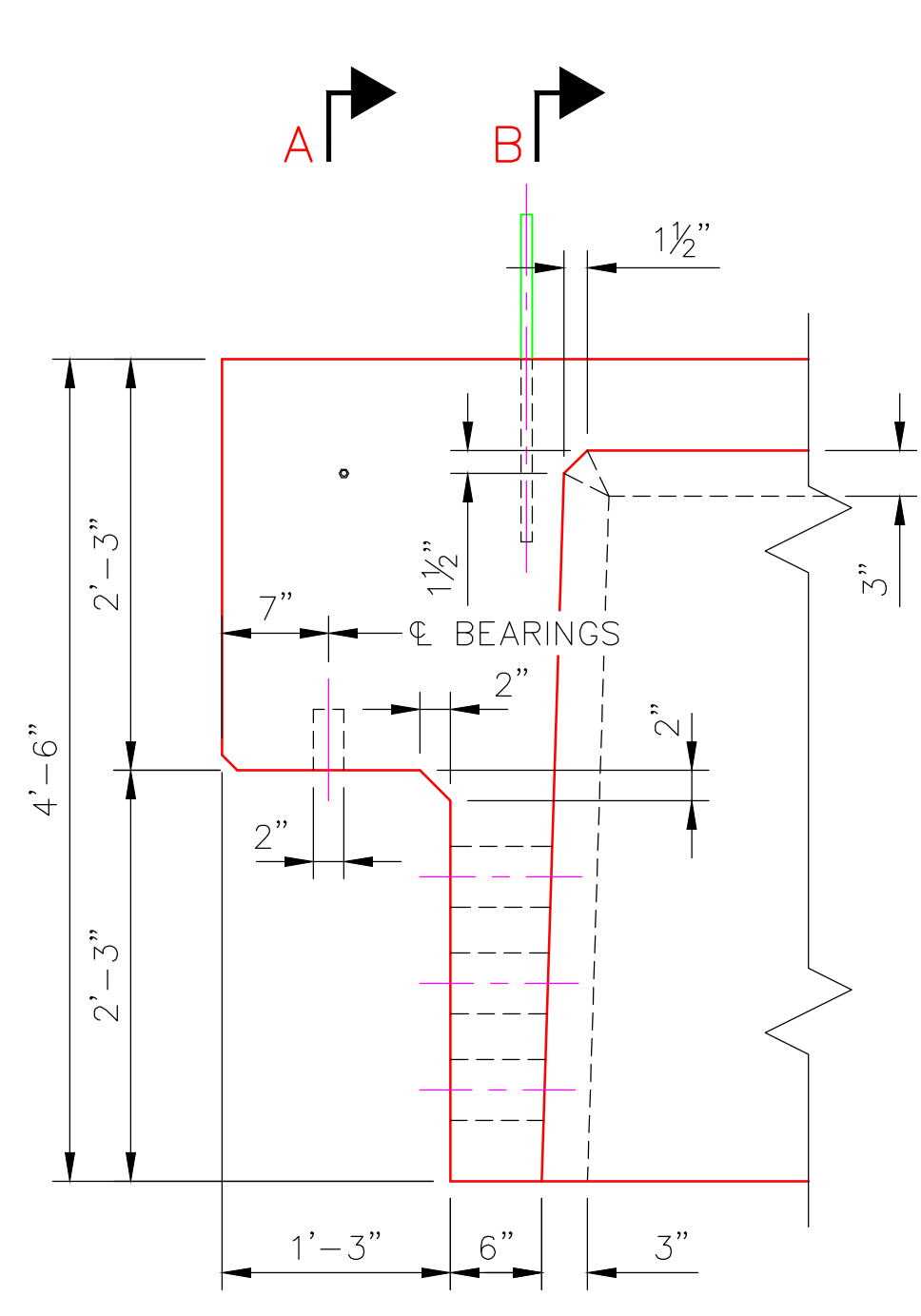
ABC NO: S10 DATE: 07/03/13

Andy's Best CAD
1323 Carlyle Park Circle
Highlands Ranch, CO 80129
303-808-3352
andysbestcad@yahoo.com
www.andysbestcad.com



GIRDER-88 FT. SPAN
(TYPE "B" SKEWED GIRDER-SKEWED AT RIGHT HAND END ONLY FOR GIRDER SPAN 10/11E)
(TYPE "D" SKEWED GIRDER-SKEWED AT LEFT HAND END ONLY FOR GIRDER SPAN 16/17)

GIRDER-88 FT. SPAN
(TYPE "C" SKEWED GIRDER-SKEWED AT BOTH ENDS)



NOTES

CONCRETE CLASSES: 28-DAY CYLINDER STRENGTH (P.S.I.) MAXIMUM AGGREGATE SIZE (IN.)
PRECAST GIRDERS 6,000 3/4"
STRESSING: PRESTRESSING SHALL NOT BE APPLIED UNTIL 48 HOURS AFTER CASTING OR UNTIL CONCRETE HAS ATTAINED A STRENGTH OF 4,500 PSI, WHICHEVER IS LATER
REINFORCEMENT GRADE: AASHTO M31/ASTM A615 GRADE 60, DEFORMED BARS
COVER: 1 1/4 IN. UNLESS NOTED OTHERWISE

PRESTRESSING STRAND: 1/2" DIA. 7-WIRE STRANDS TO ASTM A416, GRADE 270. PRETENSION STRANDS TO 30,983 LBS. EA.
DIMENSIONING ALL DIMENSIONS ARE GIVEN IN FEET AND INCHES UNLESS NOTED OTHERWISE
REINFORCING BAR DESIGNATION NUMBER OF BARS 88-1001-12 BAR SPACING BAR SIZE DESIGNATION MARK

SHEET NOTES

ALL CHAMFERS SHALL BE 1"x1" UNLESS NOTED OTHERWISE

ISSUE:
NO: DATE: ISSUE:

NO:	DATE:	ISSUE:

DRAWN: A.LANDT
DESIGNED:
CHECKED:
CLIENT JOB NO.:
DATE: 07/03/13
FILE: ABC-S10-114.dwg

DRAWING TITLE:
**DETAILS-TYPICAL
88 FT SPAN
GUIDEWAY GIRDER**

DRAWING NUMBER:
S10/114

©2013 ANDY'S BEST CAD. ALL RIGHTS RESERVED. THIS DRAWING IS THE PROPERTY OF ANDY'S BEST CAD AND IS PROTECTED BY COPYRIGHT LAWS OF THE UNITED STATES OF AMERICA. ANY UNAUTHORIZED USE OF THE INFORMATION CONTAINED HEREIN OR PART THEREOF IS STRICTLY PROHIBITED. RECEIPT OF POSSESSION HEREOF DOES NOT CONVEY OR TRANSFER ANY RIGHT TO MAKE, COPY, MANUFACTURE AND/OR SELL EITHER THE DRAWING OR THE ITEMS SHOWN THEREIN.