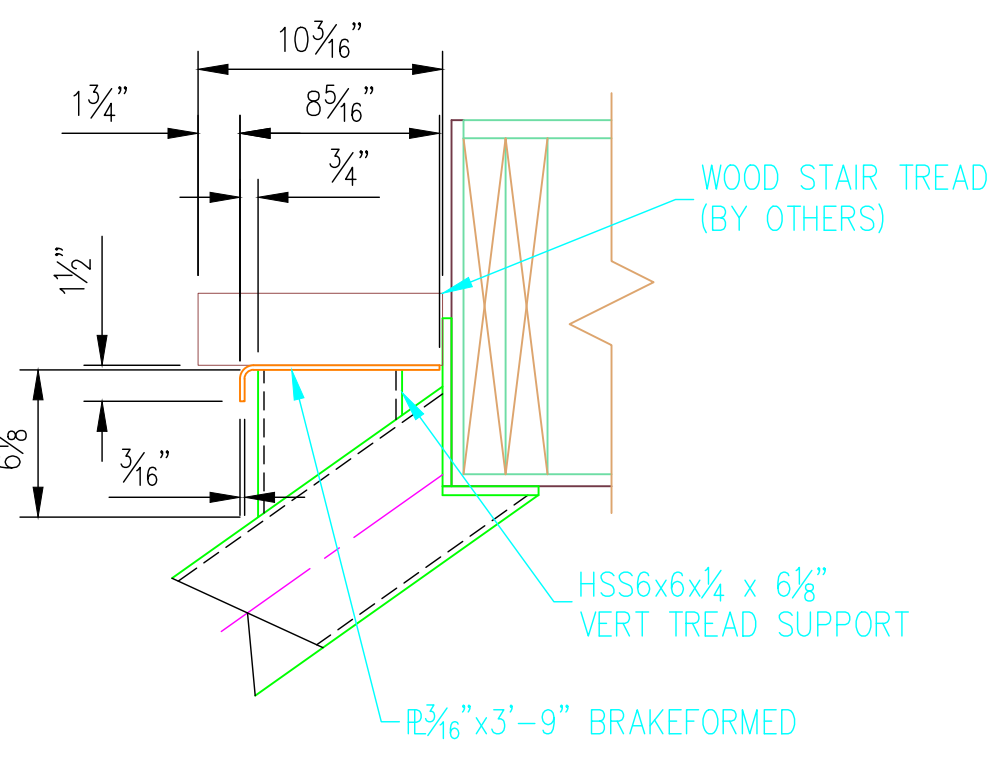
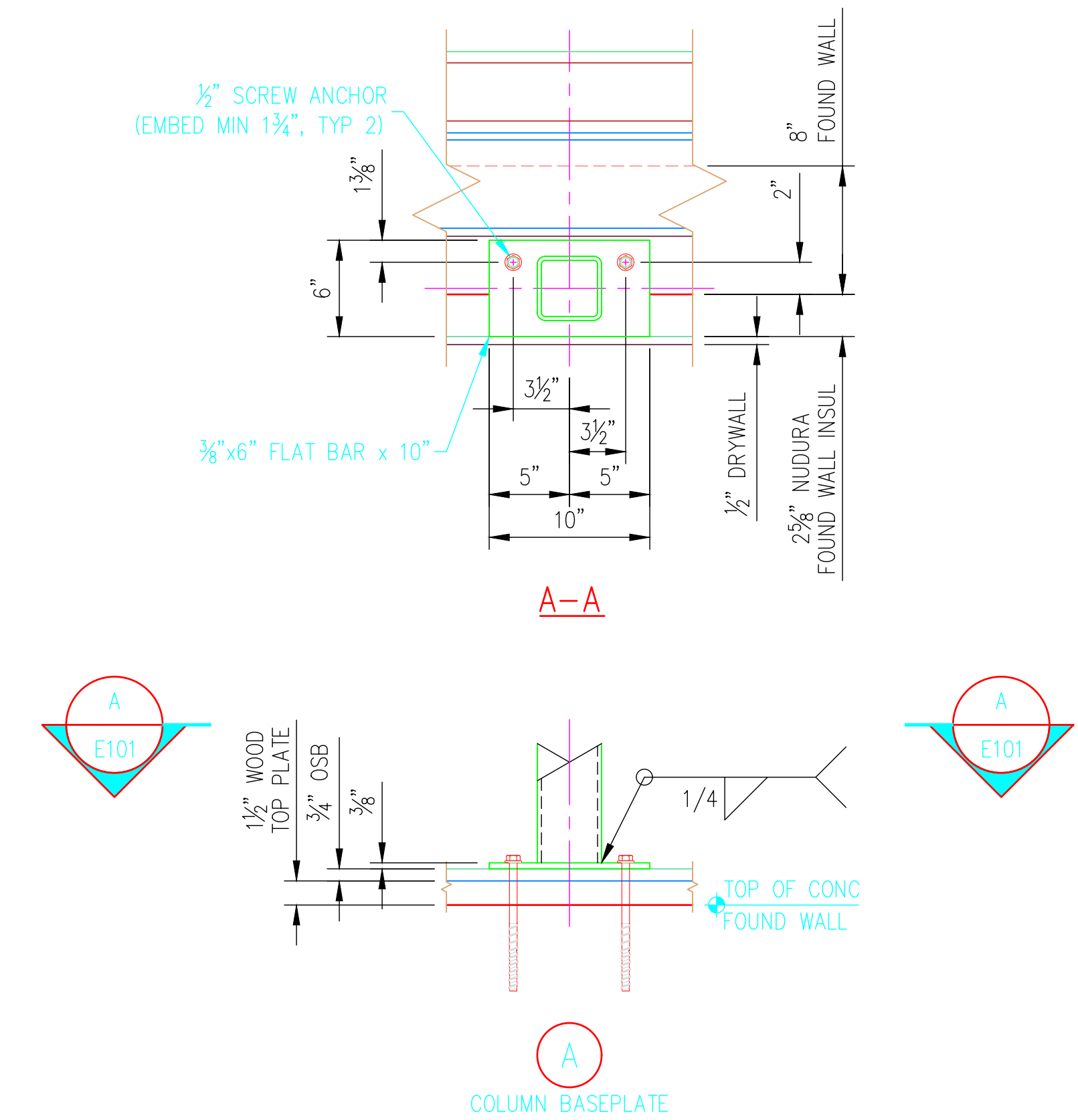


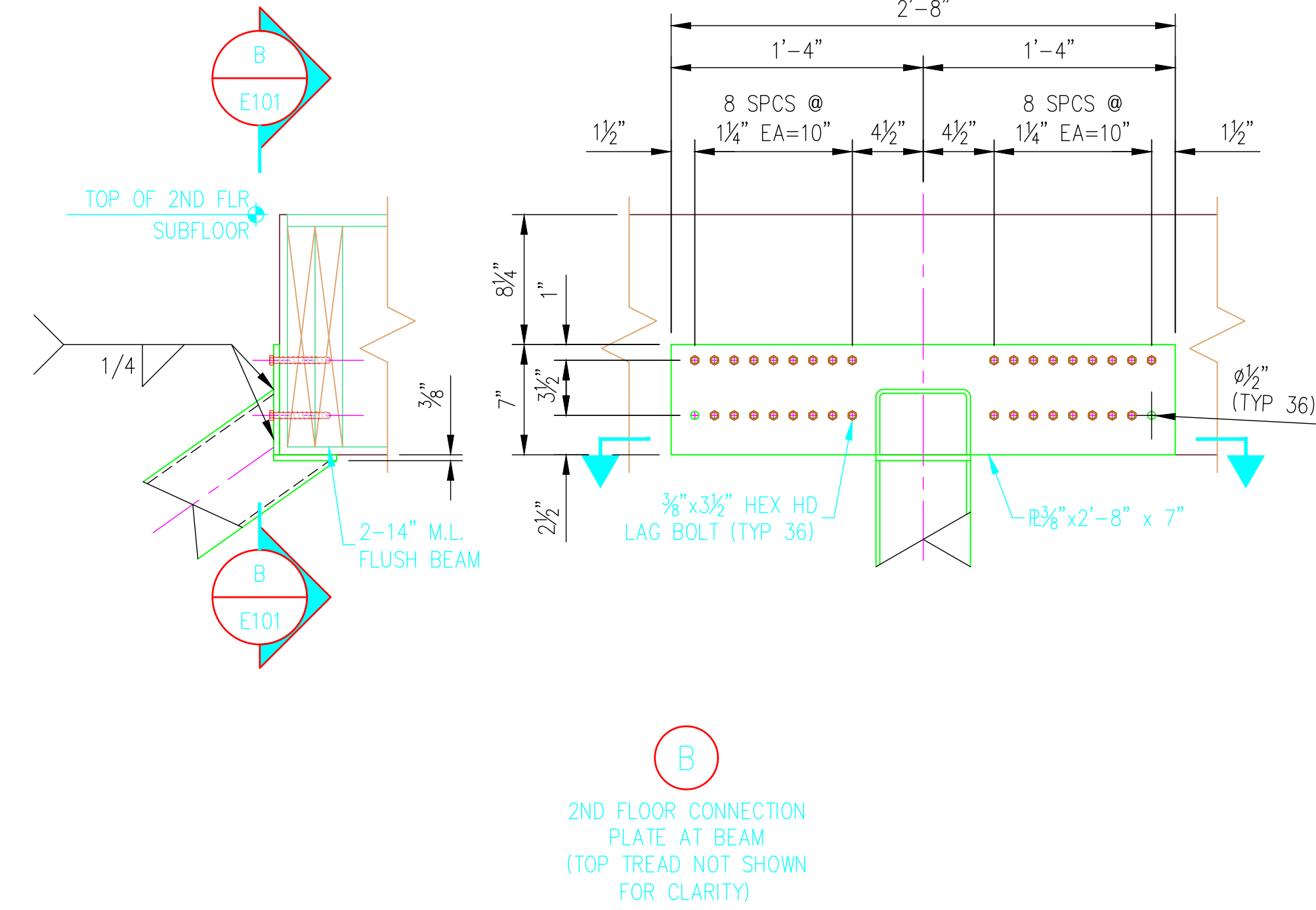
D
STAIR TREAD
BRAKEFORMED PLATE
(PROFILE, TYP 15)



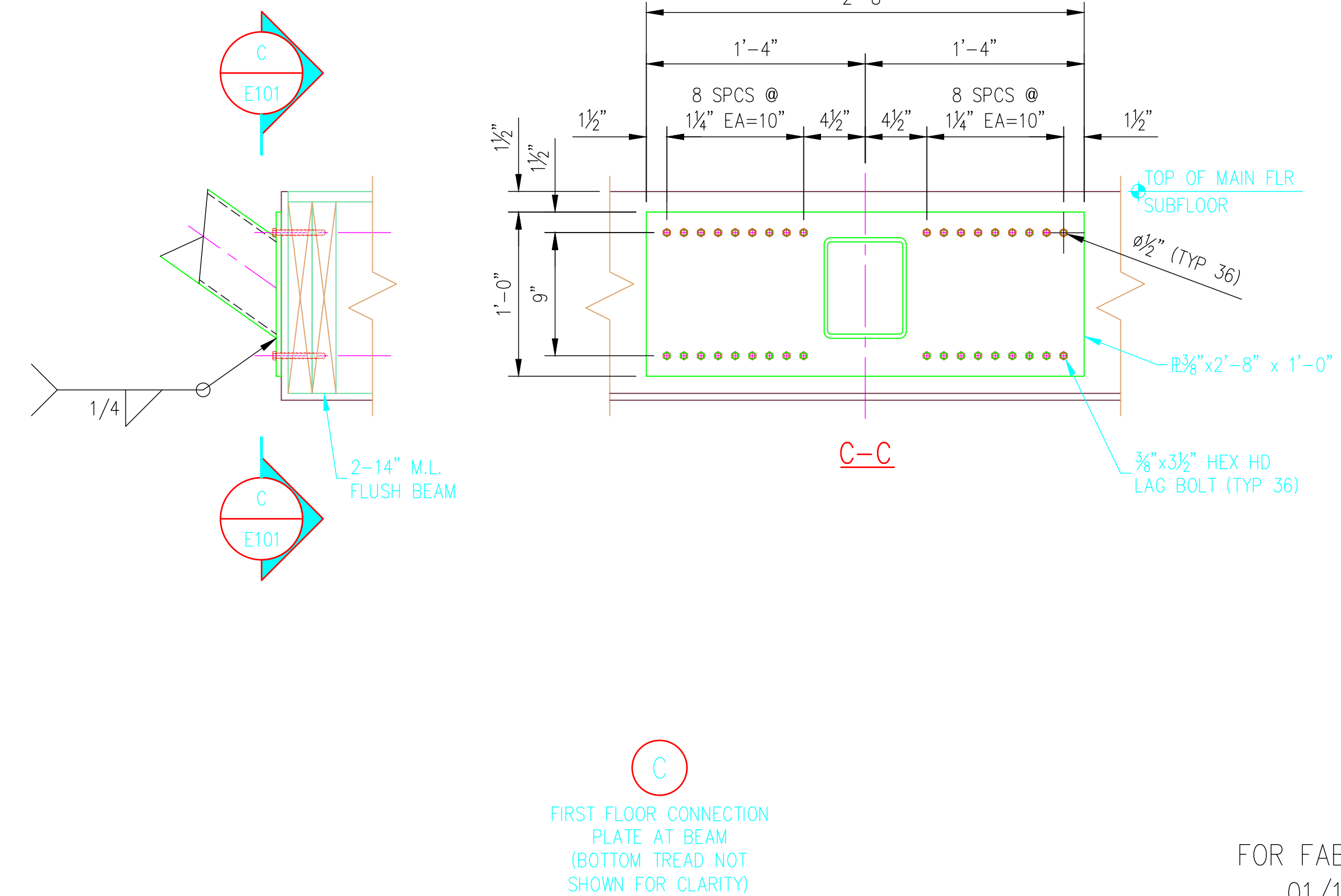
D
STAIR TREAD
BRAKEFORMED PLATE
(PROFILE, TOP TREAD AT 2ND FLOOR)



A
COLUMN BASEPLATE



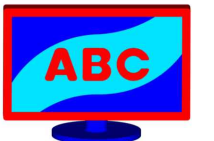
B
2ND FLOOR CONNECTION
PLATE AT BEAM
(TOP TREAD NOT SHOWN
FOR CLARITY)



C
FIRST FLOOR CONNECTION
PLATE AT BEAM
(BOTTOM TREAD NOT
SHOWN FOR CLARITY)

FOR FABRICATION
01/18/23

DATE:	
REVISION DESCRIPTION:	



ANDY'S BEST CAD
1323 CARLYLE PARK CIRCLE
HIGHLANDS RANCH, CO 80129
303-808-3352
WWW.ANDYSBESTCAD.COM

DRAWN: ABC
DESIGNED:
CLIENT: 01/18/23
DATE: AS SHOWN
SCALE:

MONORAIL STAIRCASE
DENVER, COLORADO
STRUCTURAL STEEL
SHOP DRAWINGS

PROJECT:

STAIRCASE
CONNECTION
DETAILS

DRAWING TITLE:

DRAWING NO.:
S10/101
or