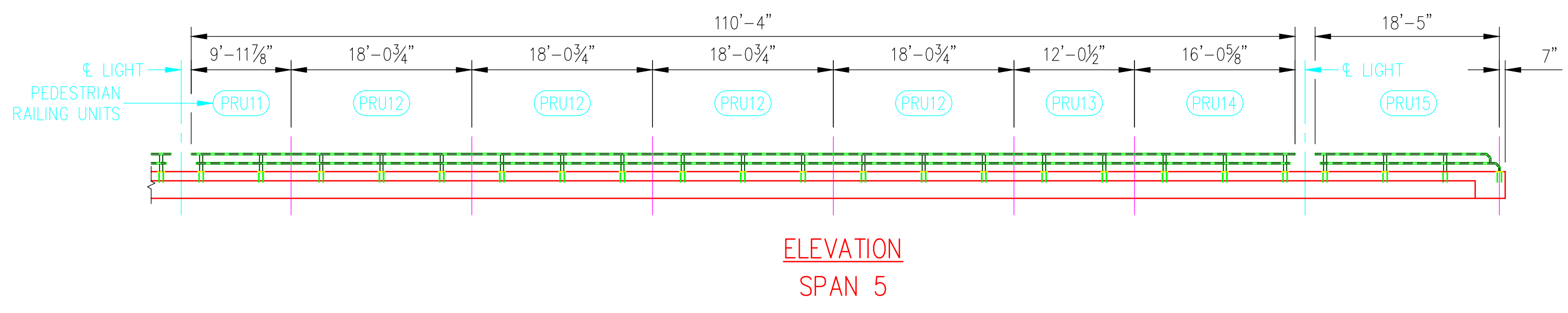
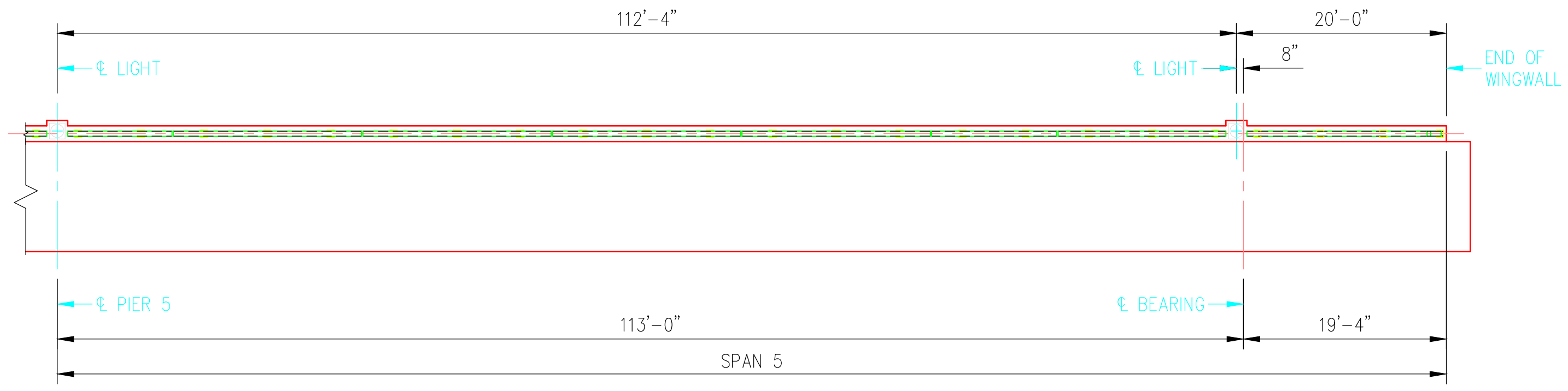
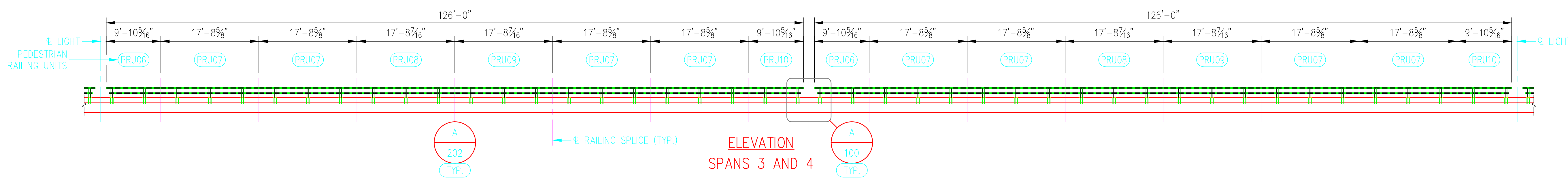
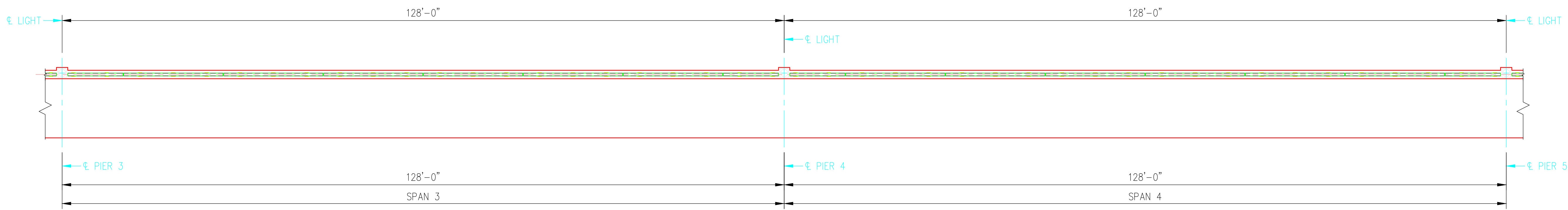


©2016 ANDY'S BEST CAD. ALL RIGHTS RESERVED. THIS DRAWING IS THE PROPERTY OF ANDY'S BEST CAD AND IS PROTECTED BY COPYRIGHT LAWS OF THE UNITED STATES OF AMERICA. ANY UNAUTHORIZED USE OF THE INFORMATION CONTAINED HEREIN OR PART THEREOF IS STRICTLY PROHIBITED. RECEIPT OF POSSESSION THEREOF DOES NOT CONVEY OR TRANSFER ANY RIGHT TO MAKE, COPY, MANUFACTURE AND/OR SELL EITHER THE DRAWING OR THE ITEMS SHOWN THEREIN.



DATE:	
REV:	
REVISION DESCRIPTION:	
ENGINEER'S STAMP	

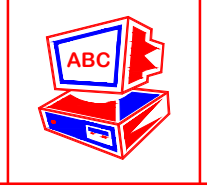
ANDY'S BEST CAD
1323 CARLYLE PARK CIRCLE
HIGHLANDS RANCH, CO 80129
303-808-3352
WWW.ANDYSBESTCAD.COM

DRAWN: A-LANDT
DESIGNED: A-LANDT
CLIENT: 02/15/16
DATE: AS SHOWN
SCALE: AS SHOWN

PROJECT:

PEDESTRIAN RAILING
ERECTION PLAN
SPANS 3, 4 & 5

DRAWING TITLE:



DRAWING NO.:
S09/101
of