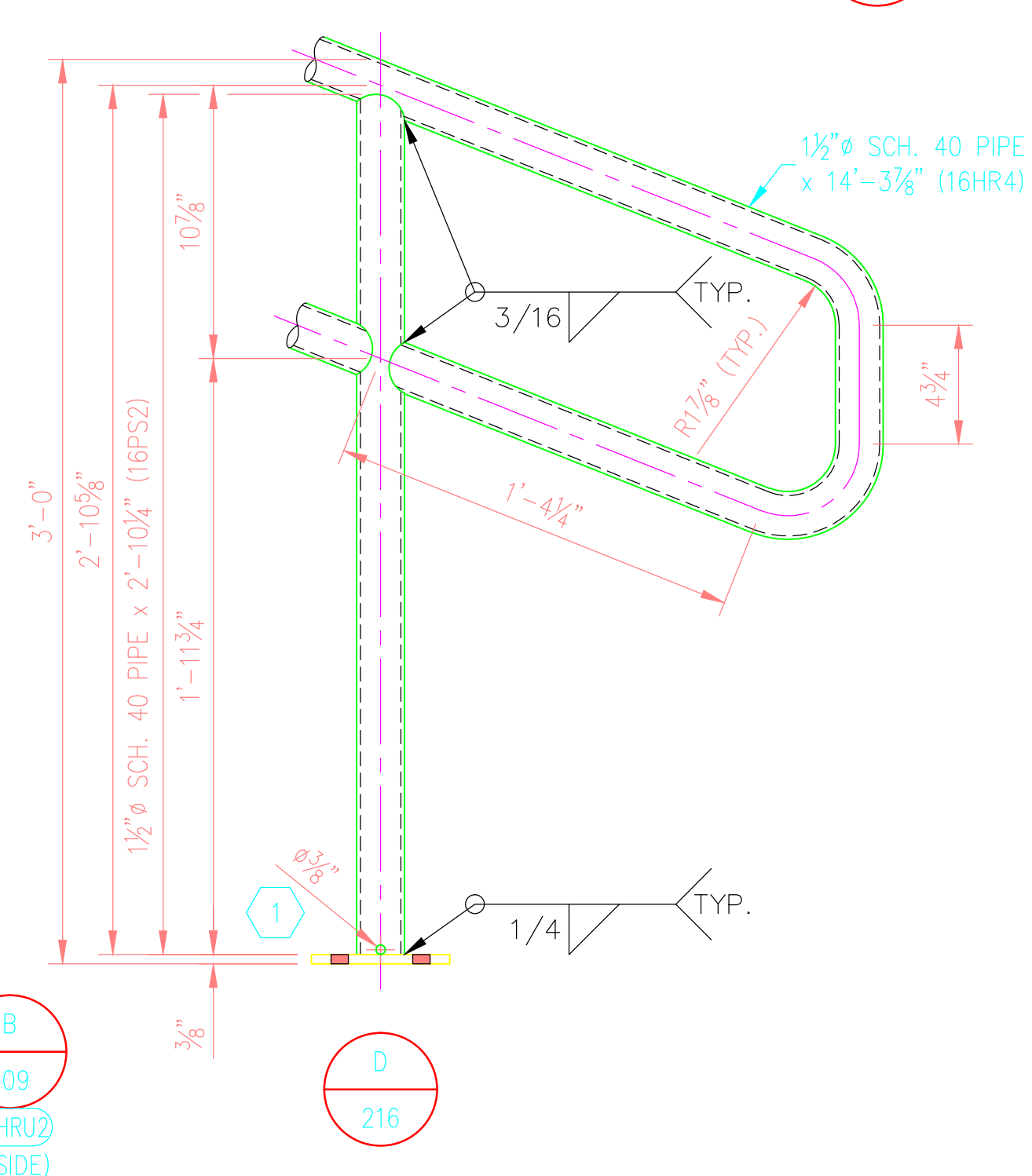
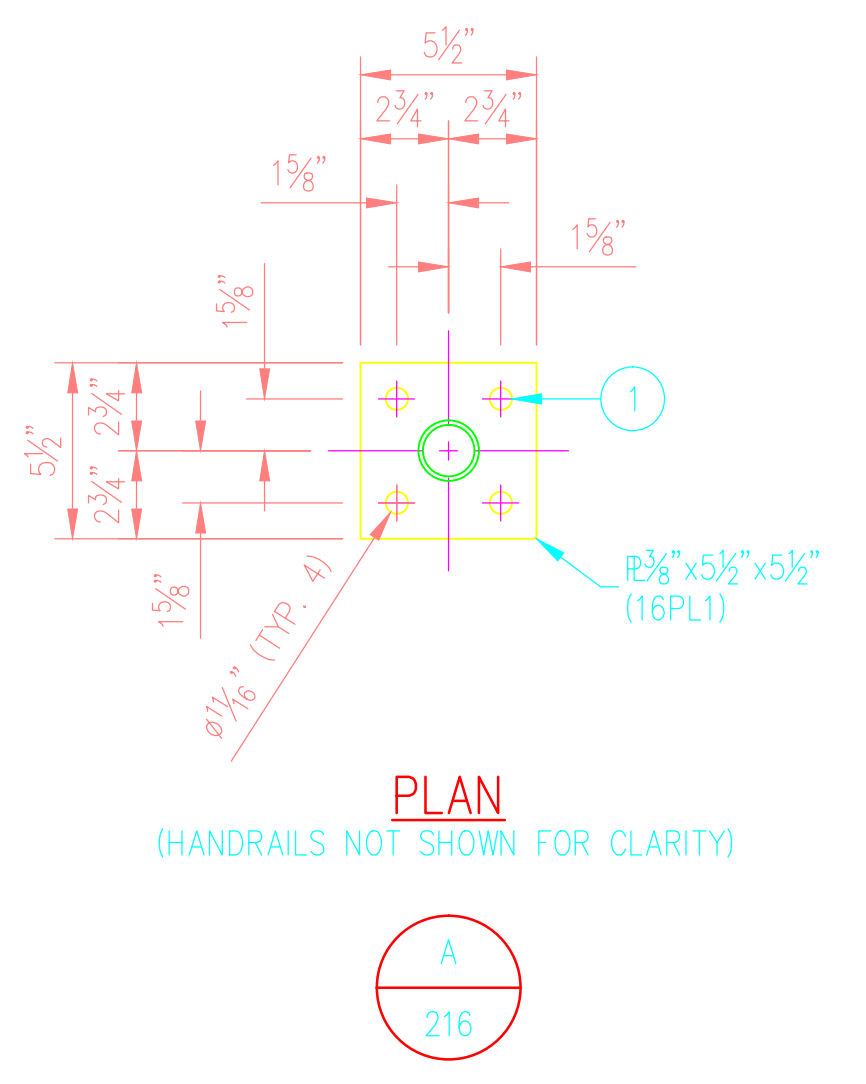
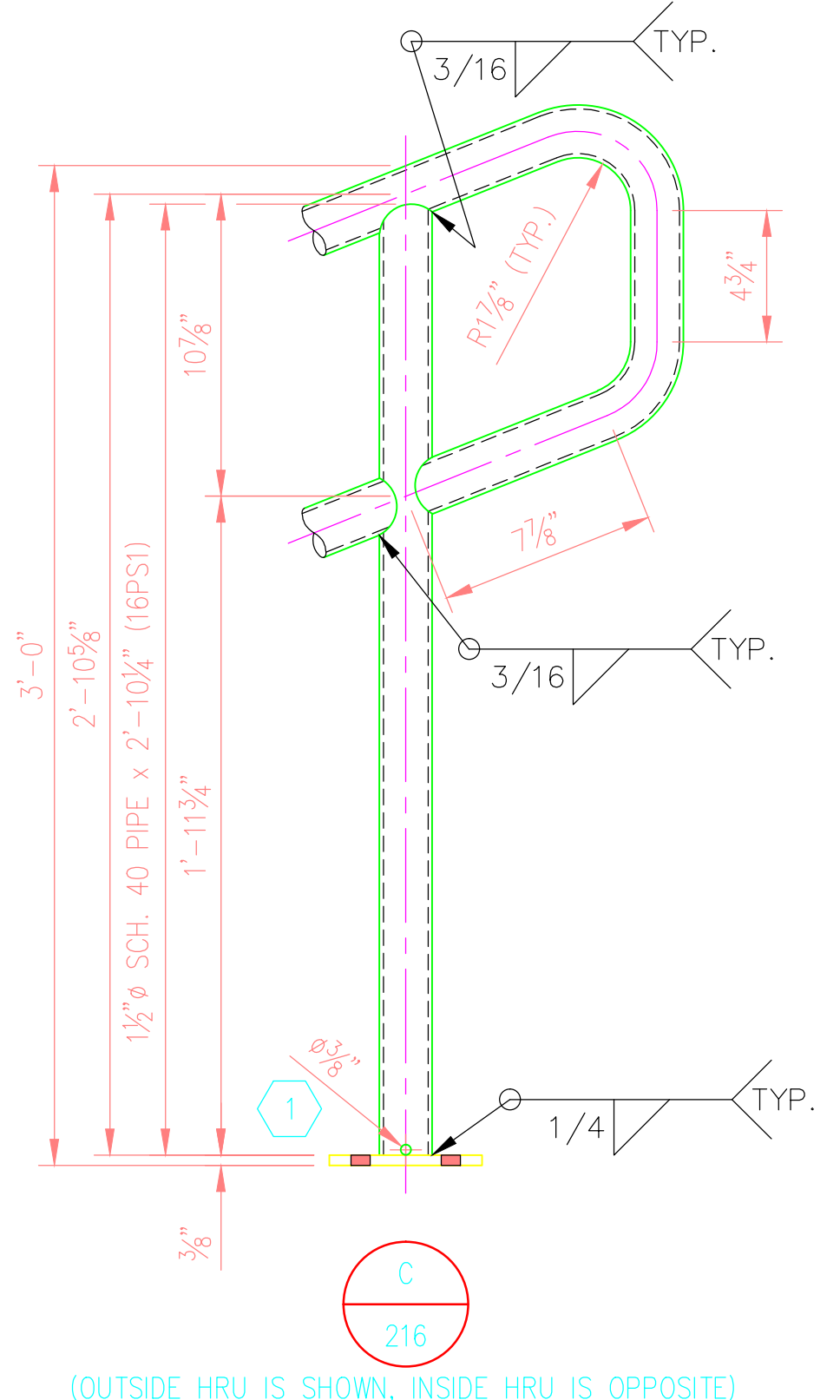
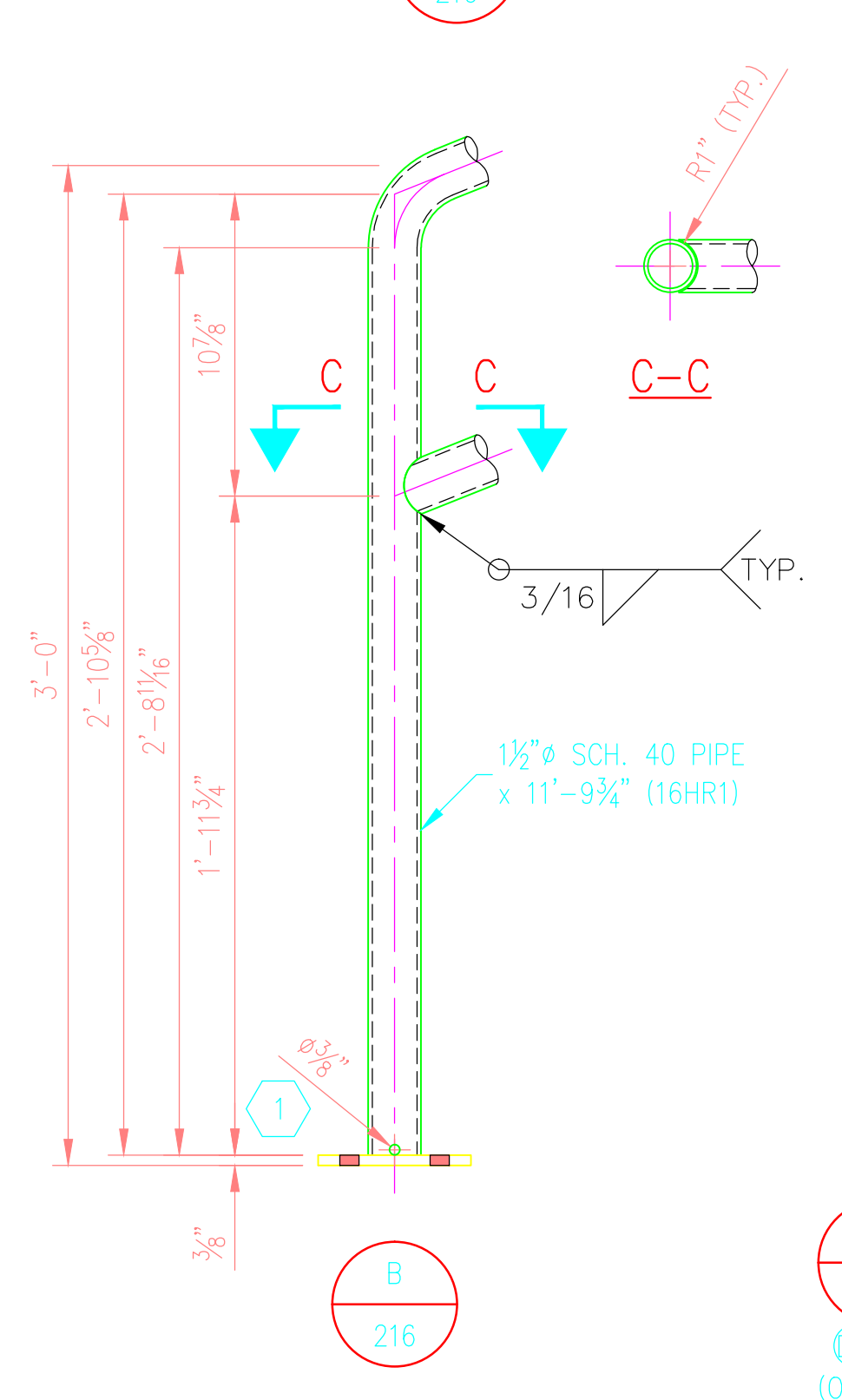
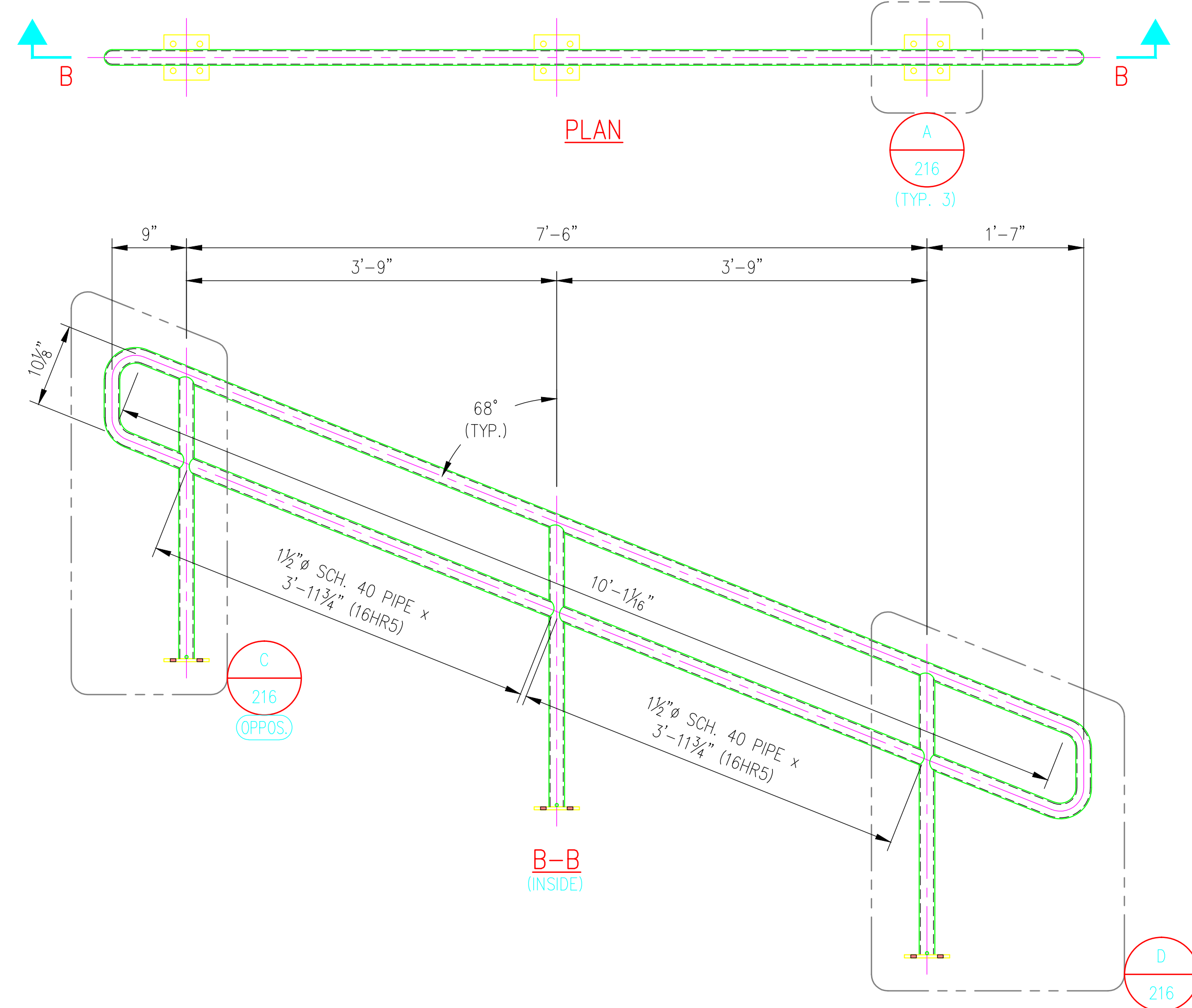
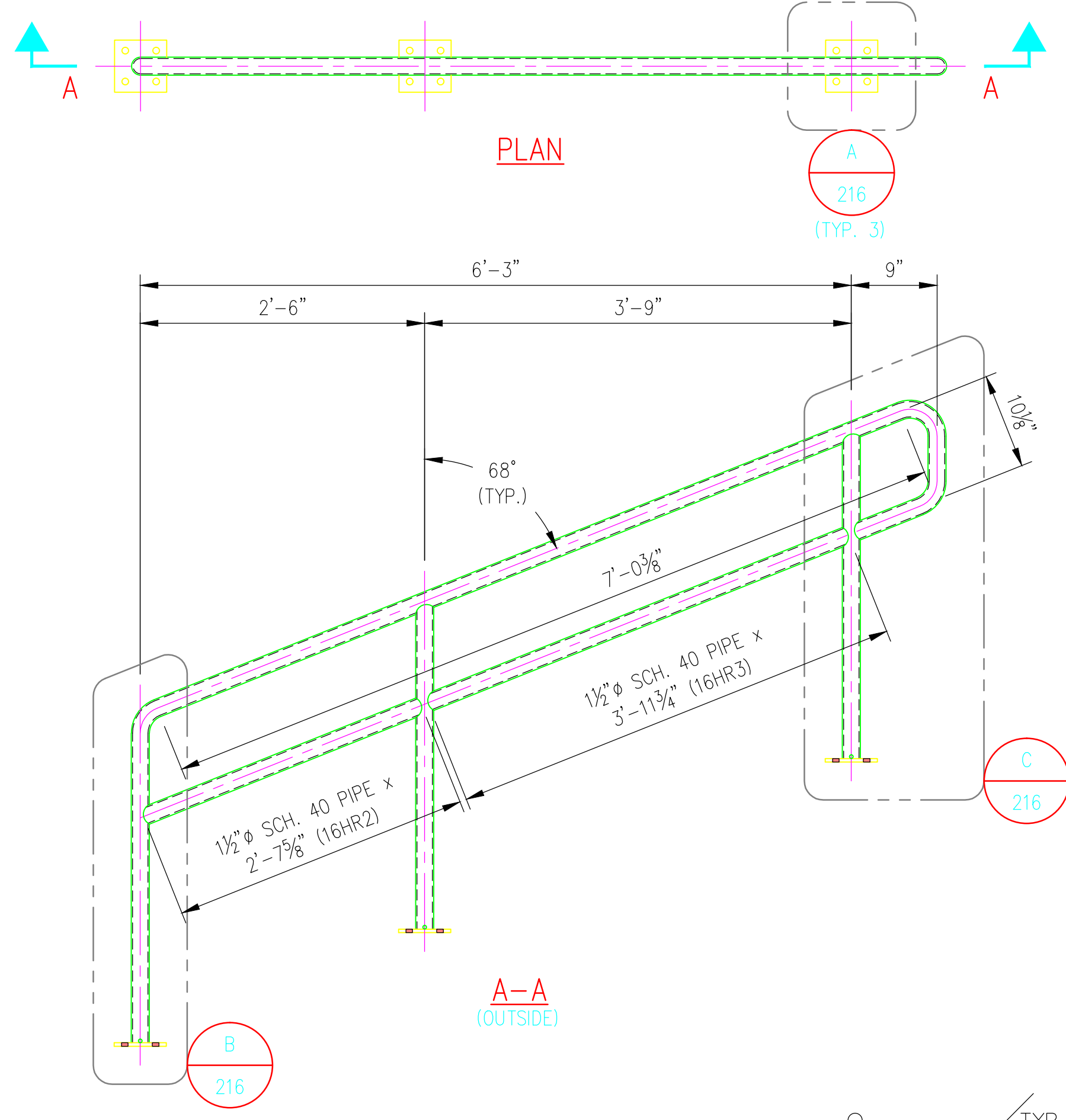


©2016 ANDY'S BEST CAD. ALL RIGHTS RESERVED. THIS DRAWING IS THE PROPERTY OF ANDY'S BEST CAD AND IS PROTECTED BY COPYRIGHT LAWS OF THE UNITED STATES OF AMERICA. ANY UNAUTHORIZED USE OF THE INFORMATION CONTAINED HEREIN OR THAT THEREOF IS STRICTLY PROHIBITED. RECEIPT OF POSSESSION THEREOF DOES NOT CONVEY OR TRANSFER ANY RIGHT TO MAKE, COPY, MANUFACTURE AND/OR SELL OTHERS THE DRAWING OR THE ITEMS SHOWN THEREIN.



BILL OF MATERIAL

MARK	QTY	DESCRIPTION	FT	IN	REMARKS
DSHRU2	2	DIKE STAIRWAY #2 HANDRAIL UNIT-OUTSIDE			
16PS1	6	1/2" SCH. 40 PIPE	2	10 3/8	
16PL1	6	#3/8" x 5 1/2"	0	5 1/2	
16HR1	2	1/2" SCH. 40 PIPE	11	9 3/8	BENT
16HR2	2	1/2" SCH. 40 PIPE	2	7 3/4	
16HR3	2	1/2" SCH. 40 PIPE	3	11 3/8	
1	24	1/2" x 4" LG. EXPANSION ANCHOR (GALV.)			
DSHRU2	2	DIKE STAIRWAY #2 HANDRAIL UNIT-INSIDE			
16PS2	6	1/2" SCH. 40 PIPE	2	10 3/8	
16PL1	6	#3/8" x 5 1/2"	0	5 1/2	
16HR4	2	1/2" SCH. 40 PIPE	14	4	BENT
16HR5	4	1/2" SCH. 40 PIPE	3	11 3/8	
1	24	1/2" x 4" LG. EXPANSION ANCHOR (GALV.)			

DATE:	REVISION DESCRIPTION:	ENGINEER'S STAMP:

ANDY'S BEST CAD
1323 CARLYLE PARK CIRCLE
HIGHLANDS RANCH, CO 80129
303-808-3352
WWW.ANDYSBESTCAD.COM

DRAWN: A-LANDT
DESIGNED: A-LANDT
CLIENT: 02/15/16
SCALE: AS NOTED

NOTES:

- 1 POSITION HANDRAIL POST DRAIN HOLE TOWARDS CENTERLINE OF CONCRETE DIKE STAIRWAY

MATERIAL, COATING & FABRICATION SPECIFICATIONS

MATERIALS & FABRICATION	COATINGS
ALL TUBE SECTIONS: A500 GRADE B	HANDRAIL UNIT SHALL BE HOT DIPPED GALVANIZED AFTER FABRICATION PER ASTM A123
ALL PIPES: A53, GR. B, SCH. 40	
WIDE FLANGES, PLATES & BARS: A36	
ALL OTHER STEEL: A36	
WELDED, HEADED ANCHOR STUDS: A108	
HEADED ANCHOR BOLTS: A307	
INDOOR ANCHOR BOLTS: A307	
OUTDOOR ANCHOR BOLTS: A123, GALV.	
ALL WELDING: AWS D1.1	
SURFACE PREP: SSPC-SP6	
SCALE: AS NOTED	

DRAWING TITLE: DIKE STAIRWAY #1 & #2
HANDRAIL UNITS
OUTSIDE & INSIDE

DRAWING NO.: S06/216
OF

