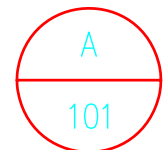
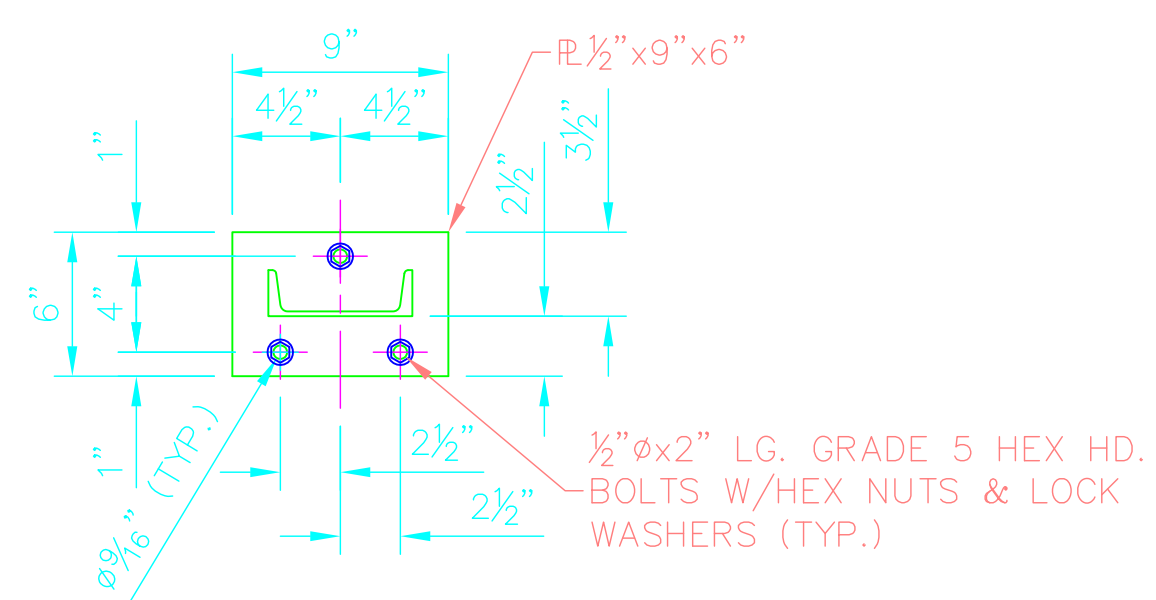


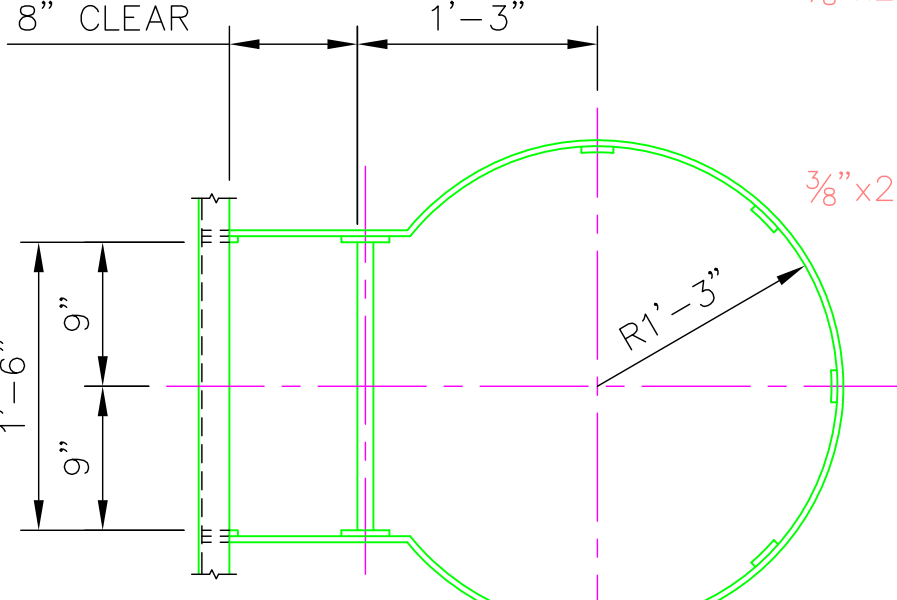
ELEVATION



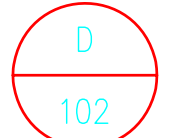
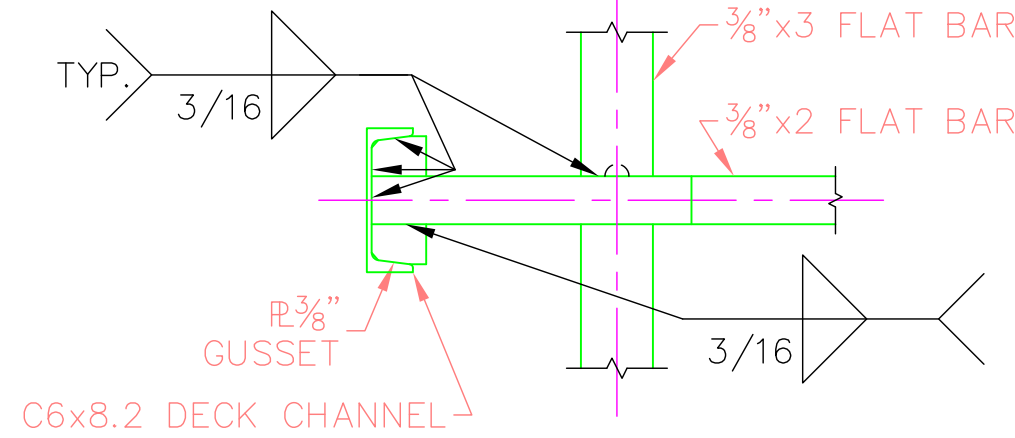
A-A



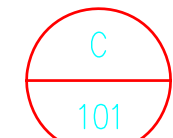
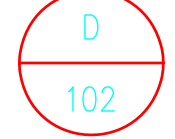
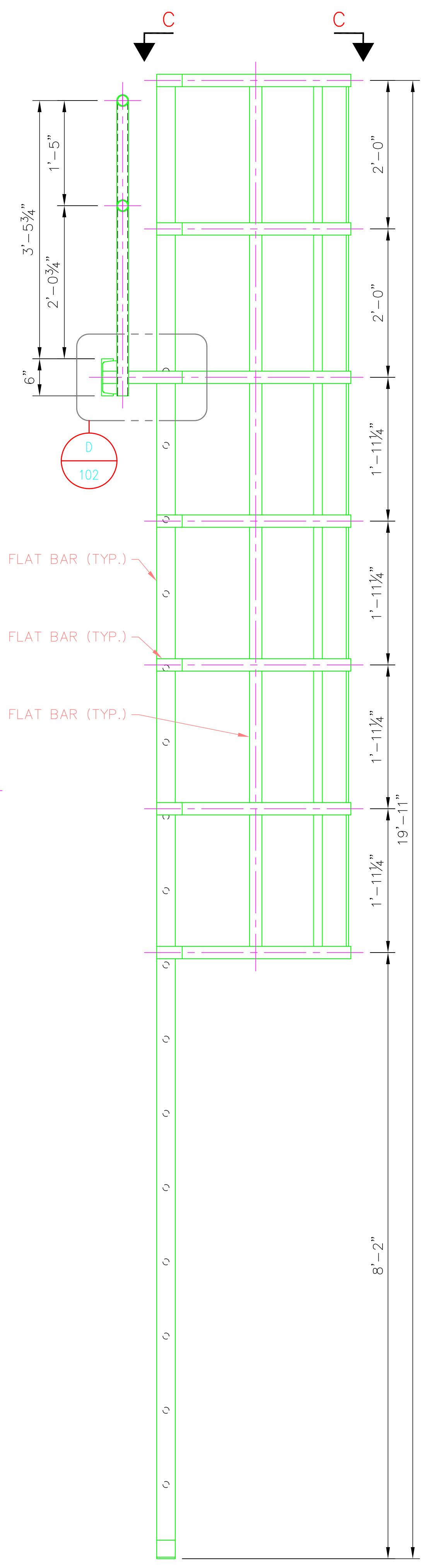
B-B



C-C



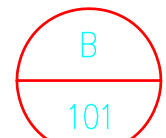
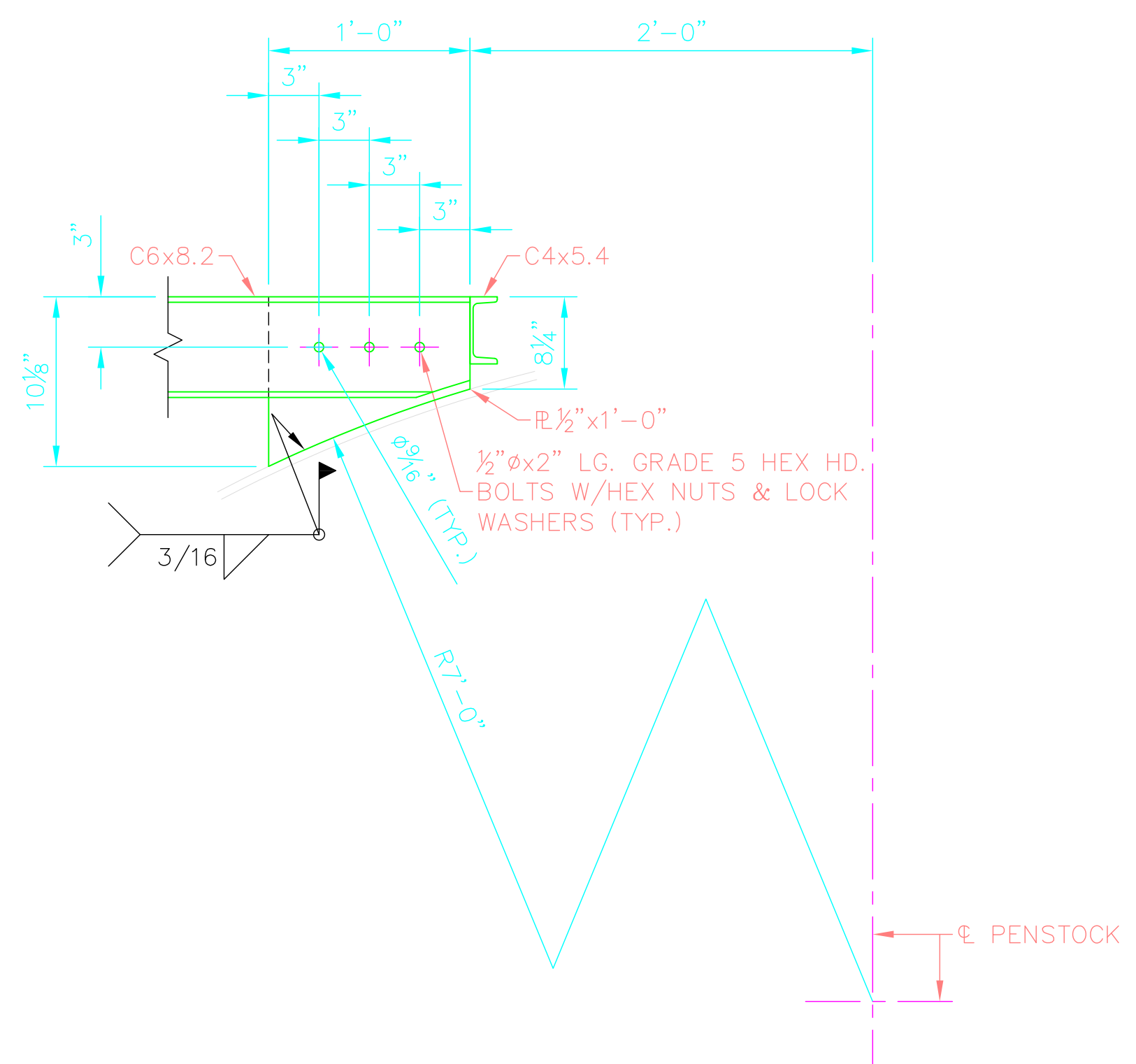
HANDRAIL POST NOT SHOWN FOR CLARITY



16 LADDER RUNGS AT 1'-0" SPACING

1" Ø BAR (TYP. LADDER RUNG)

3x3x1/4 x 3" LG. (TYP. AT LADDER BASE)



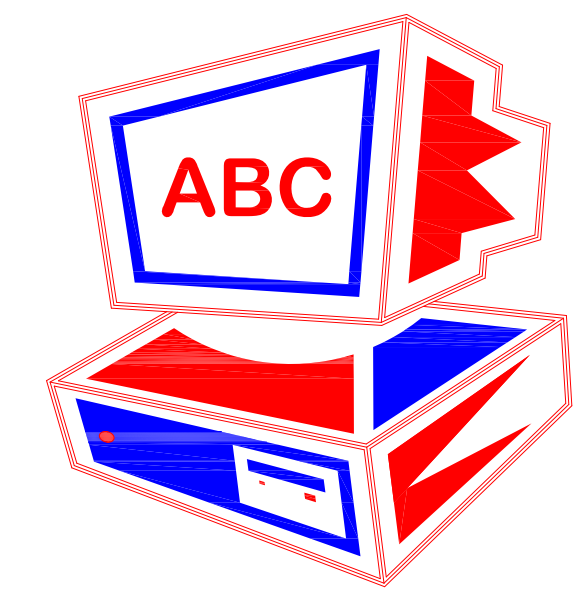
HANDRAIL POST NOT SHOWN FOR CLARITY

ABC NO: JOB NO. DATE: DATE

Andy's Best CAD

9715 South Merimbula Street
Littleton, Colorado 80130

303-791-1622
andysbestcad@yahoo.com
www.andysbestcad.com



ISSUE:

NO:	DATE:	ISSUE:

DRAWN: ABC
DESIGNED: _____
CHECKED: _____
CLIENT JOB NO.: _____
DATE: 08/04/07
FILE: ABC-S05-102

DRAWING TITLE:
PENSTOCK VALVE LADDER AND DETAILS

DRAWING NUMBER:
S05/102

© 2007 ANDY'S BEST CAD. ALL RIGHTS RESERVED. THIS DRAWING IS THE PROPERTY OF ANDY'S BEST CAD AND IS PROTECTED BY THE COPYRIGHT LAWS OF THE UNITED STATES OF AMERICA. ANY UNAUTHORIZED USE OR DUPLICATION OF THE INFORMATION CONTAINED HEREIN OR PART THEREOF IS STRICTLY PROHIBITED.