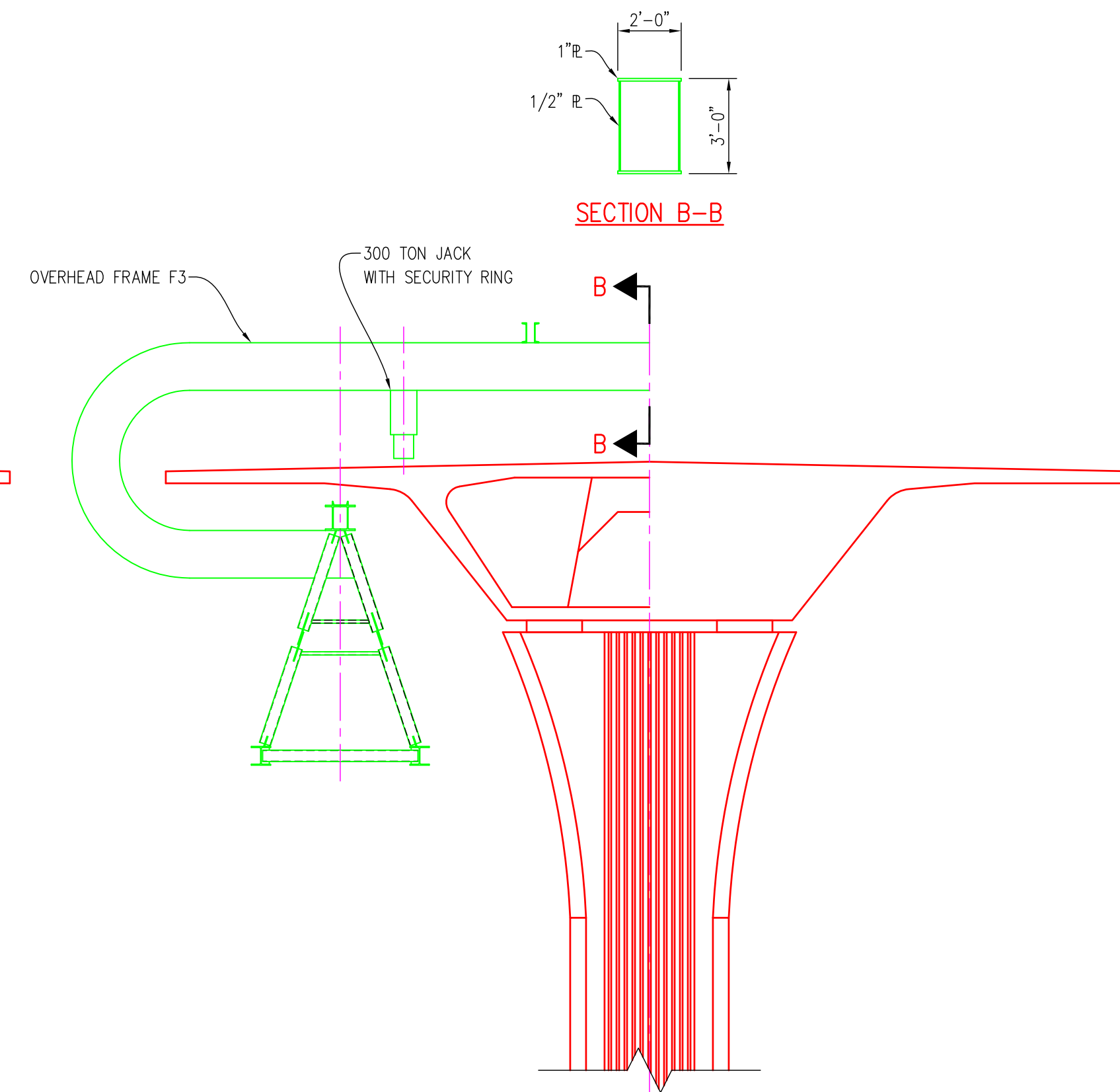


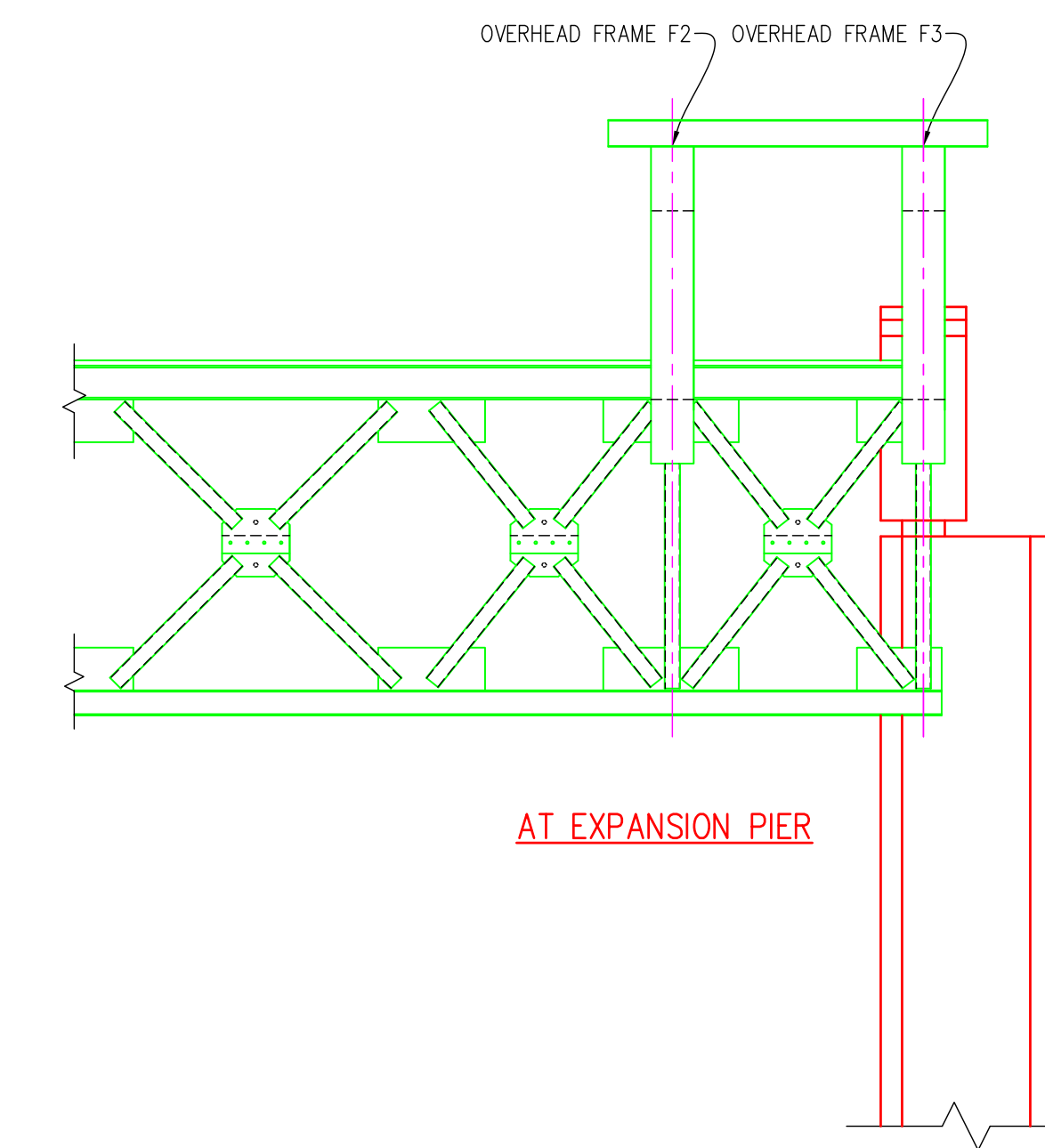
SECTION A-A

CROSS SECTION AT CENTER OF GANTRY  
(DURING ERECTION)  
(WALKWAY AND LADDERS OMITTED FOR CLARITY)

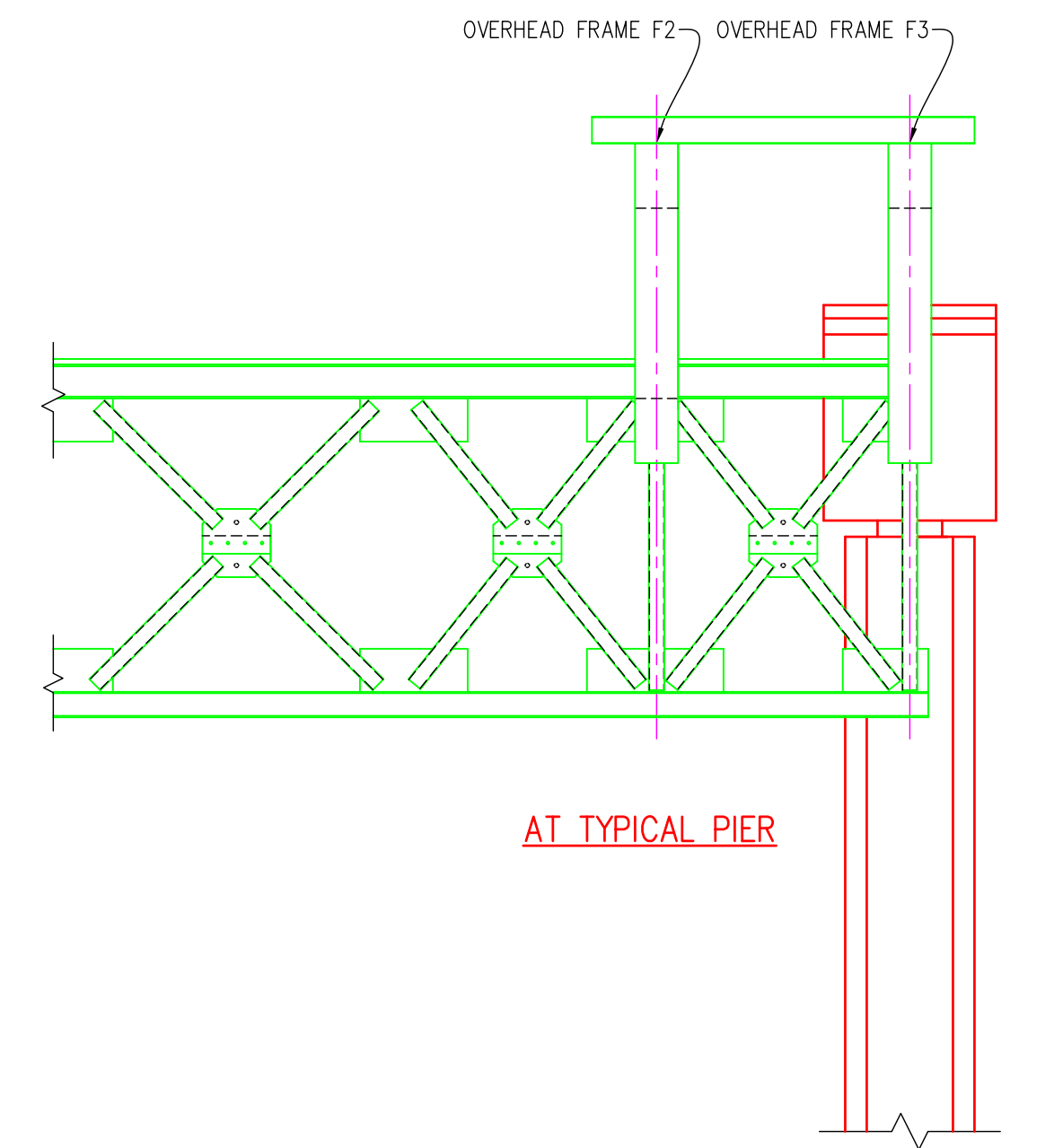


SECTION B-B

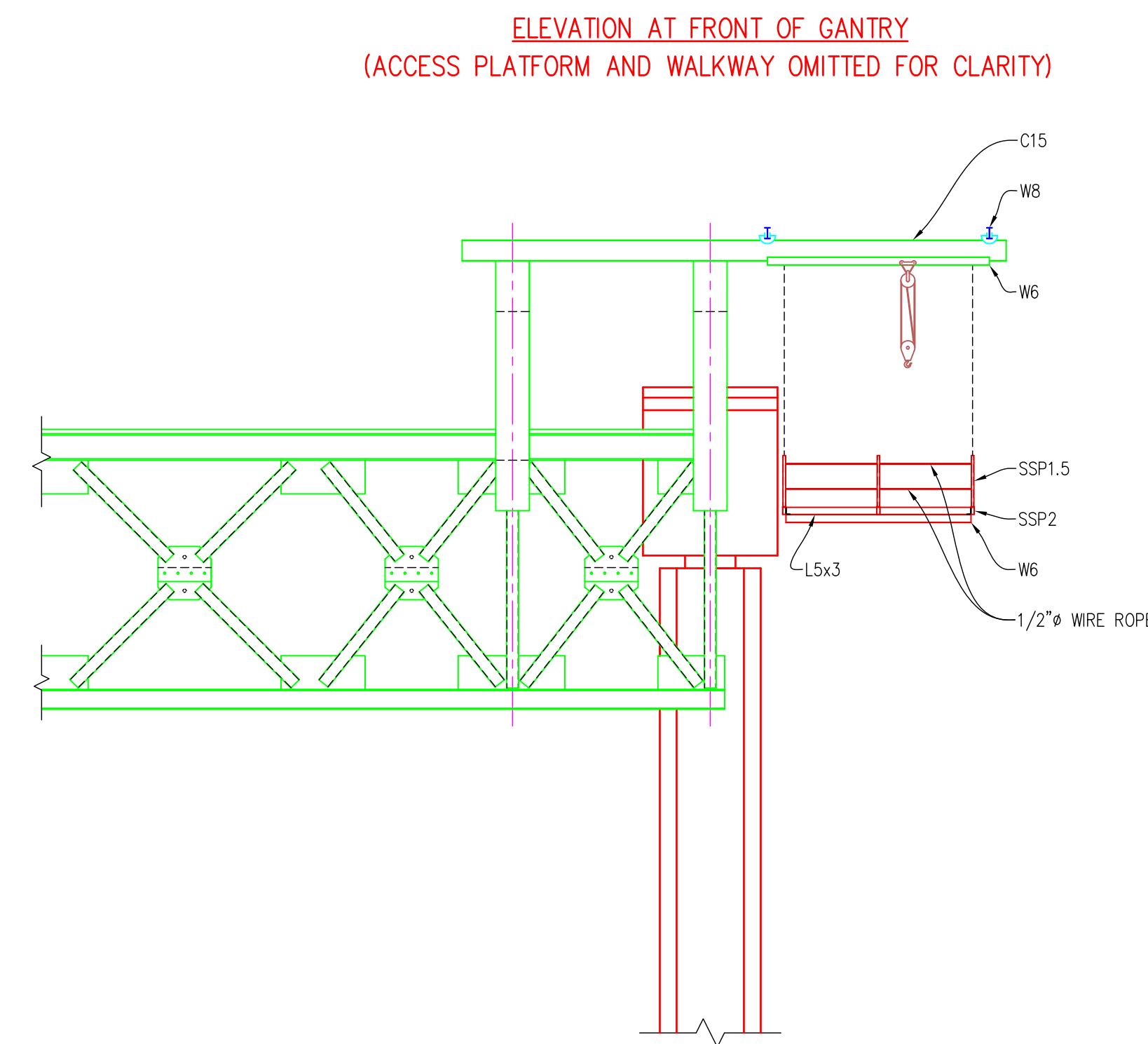
CROSS SECTION AT FRONT OF GANTRY  
(DURING ERECTION OF PIER SEGMENT)  
(WALKWAY OMITTED FOR CLARITY)



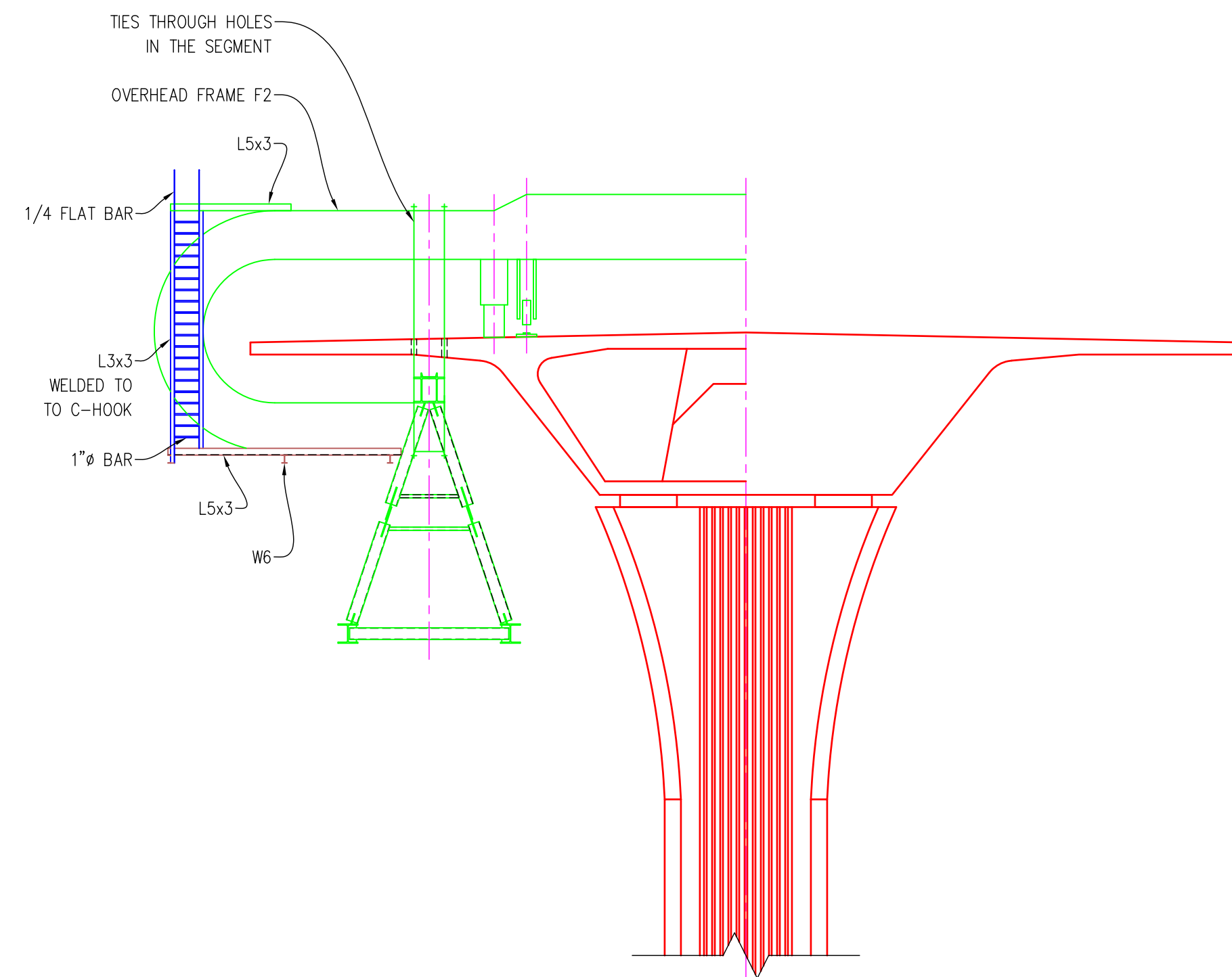
AT EXPANSION PIER



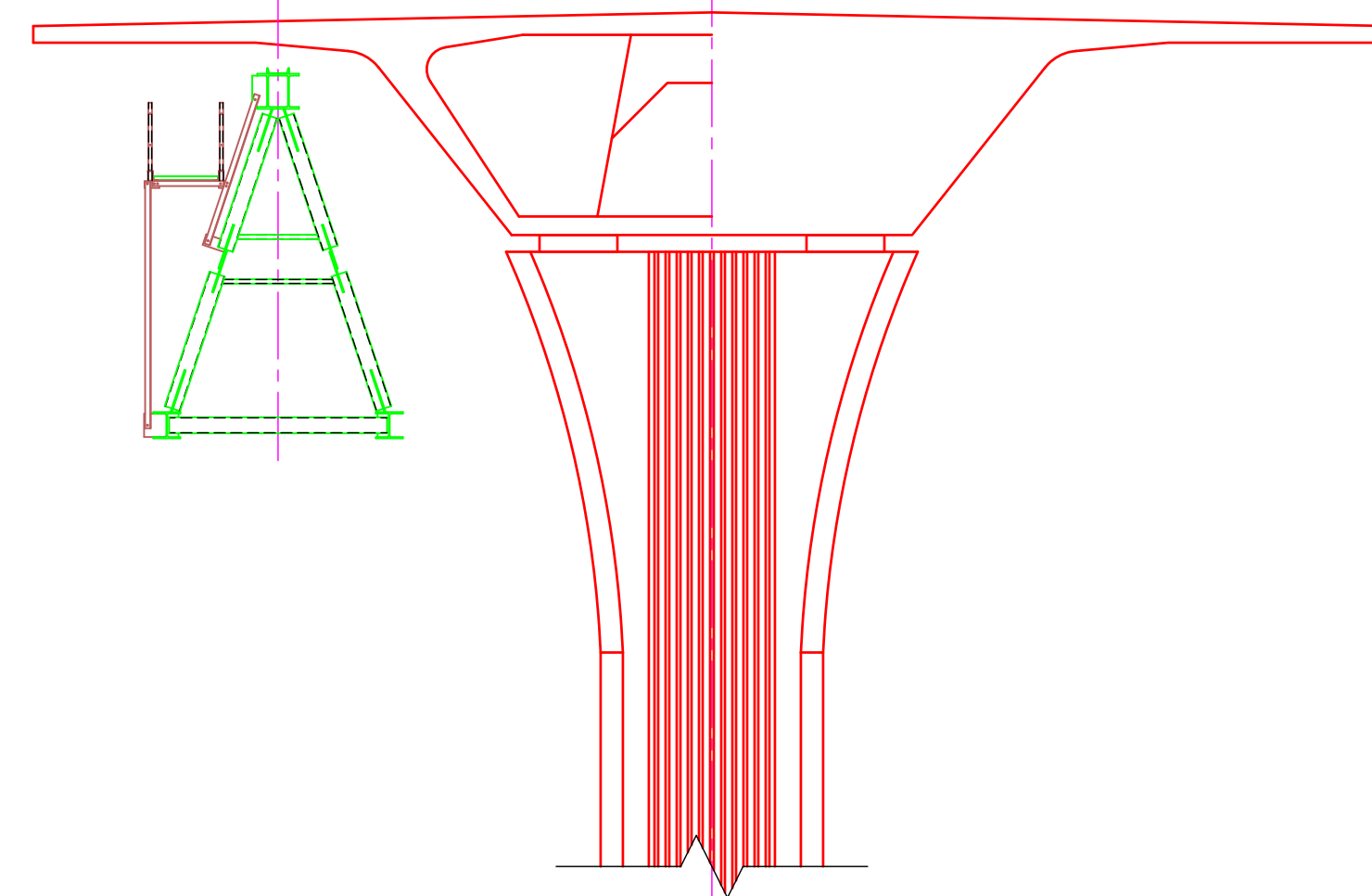
AT TYPICAL PIER



ELEVATION AT FRONT OF GANTRY  
(ACCESS PLATFORM AND WALKWAY OMITTED FOR CLARITY)



LADDER DETAIL

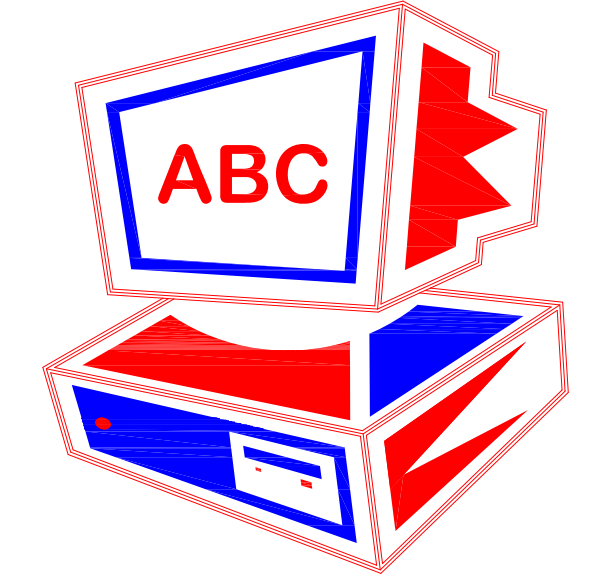


WALKWAY DETAIL

ACCESS PLATFORM DETAIL  
(WALKWAY OMITTED FOR CLARITY)

ABC NO:            JOB NO.            DATE:            DATE           

**Andy's Best CAD**  
 9715 South Merimbula Street  
 Littleton, Colorado 80130  
 303-791-1622  
[andysbestcad@yahoo.com](mailto:andysbestcad@yahoo.com)  
[www.andysbestcad.com](http://www.andysbestcad.com)



ISSUE:

NO:            DATE:            ISSUE:           

NO.	DATE	ISSUE

DRAWN:            A.LANDT  
 DESIGNED:             
 CHECKED:             
 CLIENT JOB NO.:             
 DATE:            08/03/04  
 FILE:            ABC-S03-102.dwg

DRAWING TITLE:  
**GANTRY DETAILS  
 SHEET 2**

DRAWING NUMBER:  
**102**