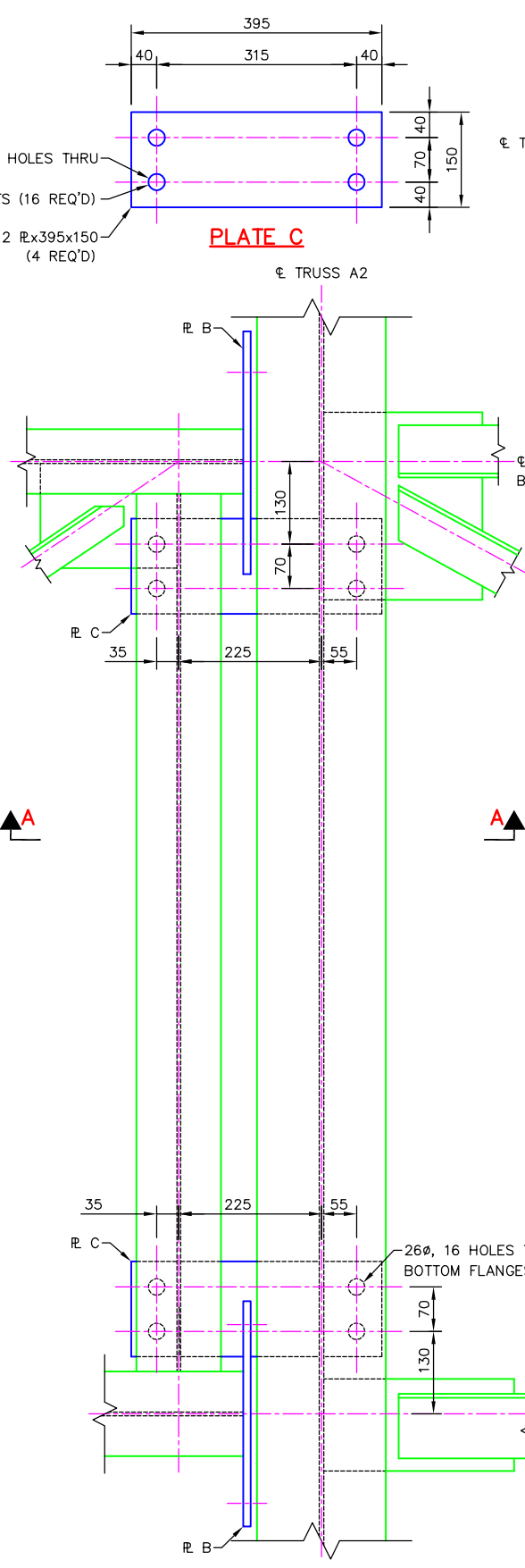
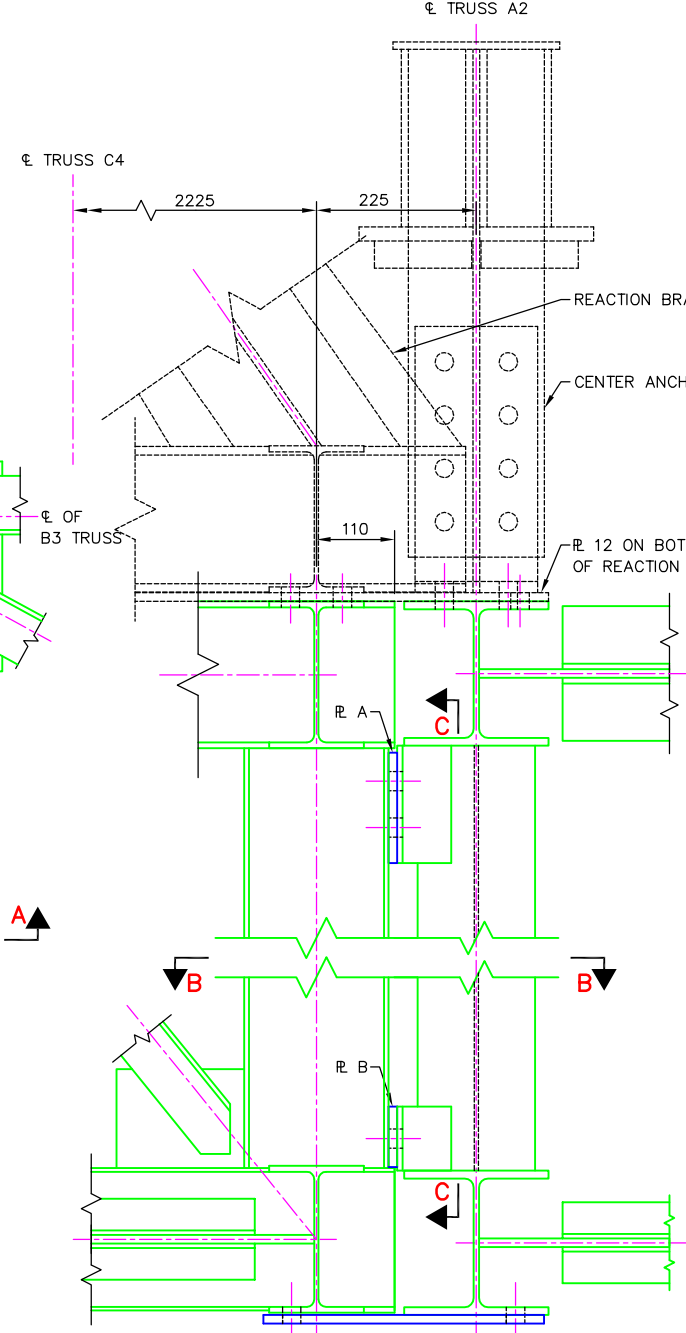


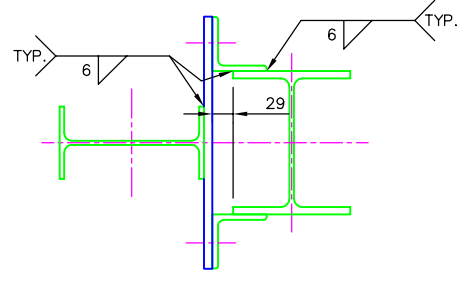
TOP PLAN



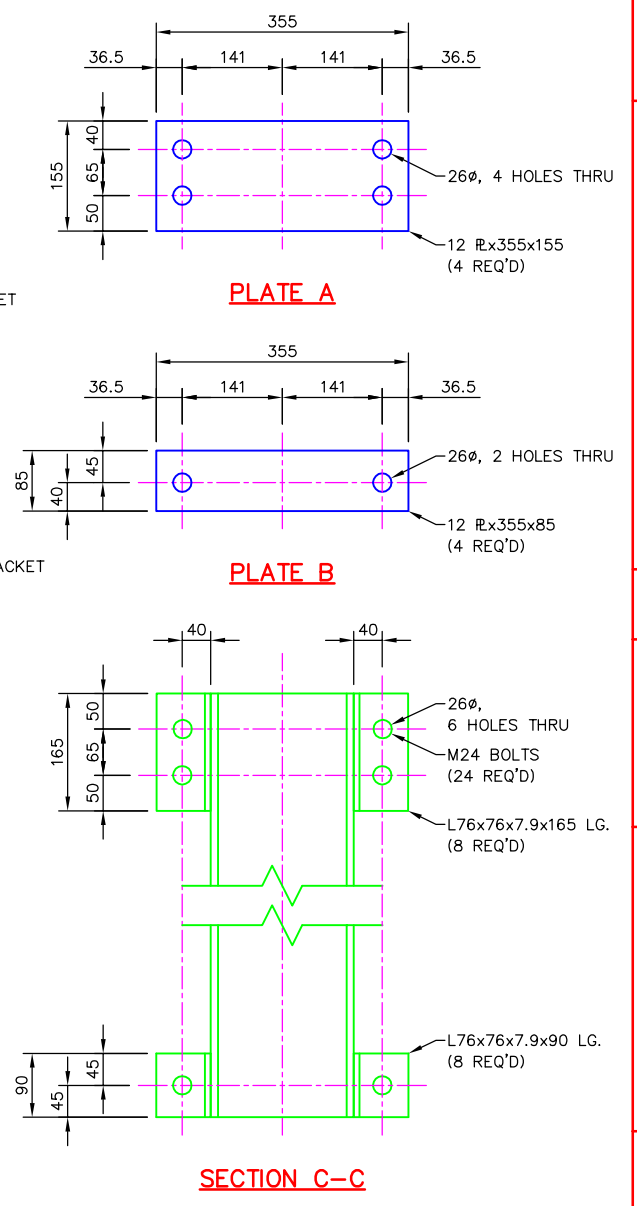
BOTTOM PLAN



SECTION A-A
END SECTION OF TRUSS B4 SIMILAR




SECTION B-B



SECTION C-C

NOTES:
1. ALL CONNECTIONS ARE TO USE 6mm
FILLET WELDS ALL-AROUND UNLESS
NOTED OTHERWISE

DO NOT SCALE DRAWINGS
ALL DIMENSIONS IN MILLIMETERS
UNLESS NOTED OTHERWISE

DATE:	
REVISION DESCRIPTION:	
REV:	
	
ANDY'S BEST CAD 9715 S. MERIBULA ST. LITTLETON, CO 80130 303-791-1622 WWW.ANDYSBESTCAD.COM	
DRAWN: A.LANDT	DESIGNED: 08/03/04
CLIENT: LITTLETON, CO 80130	SCALE: 1:10
DRAWING TITLE: TRUSS DETAILS 2	
DRAWING NO.: S02/212 OF	