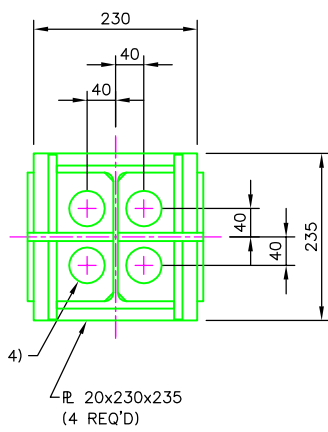
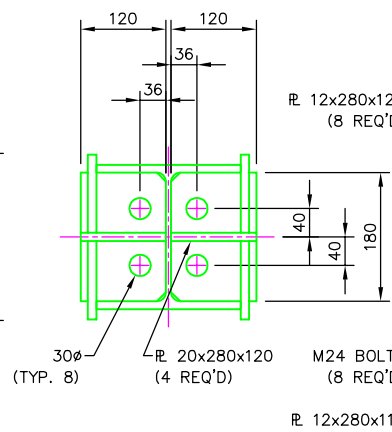


ELEVATION



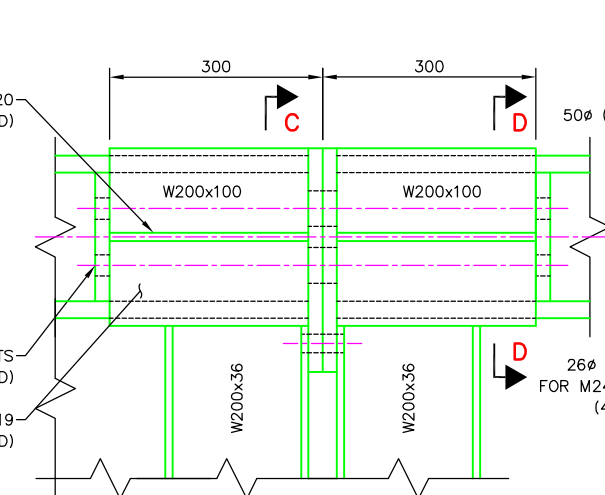
SECTION A-A

TOP CHORD

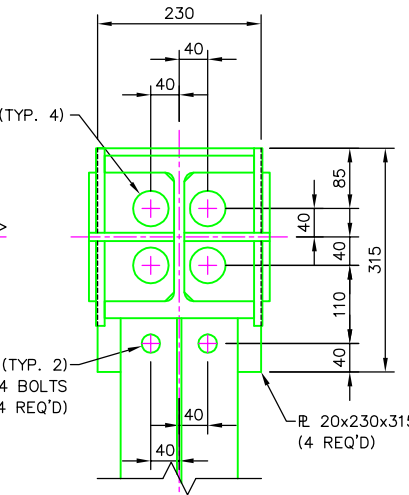


SECTION B-B

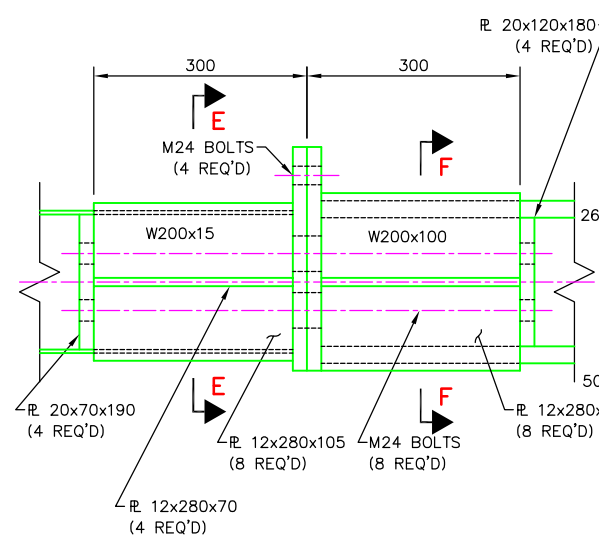
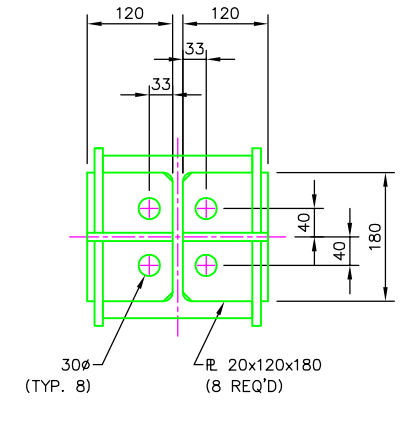
TOP CHORD



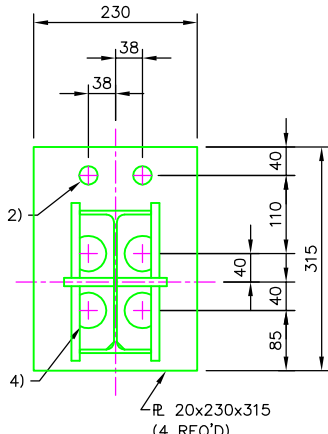
TOP CHORD



SECTION D-D

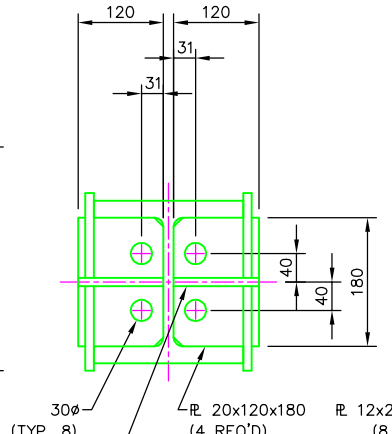


ELEVATION



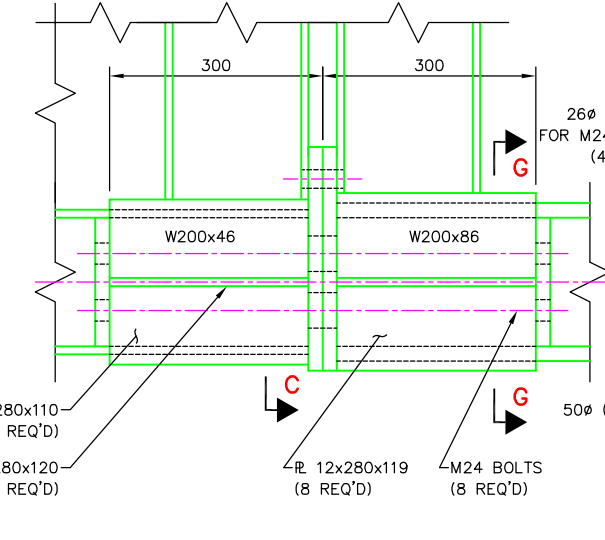
SECTION E-E

BOTTOM CHORD



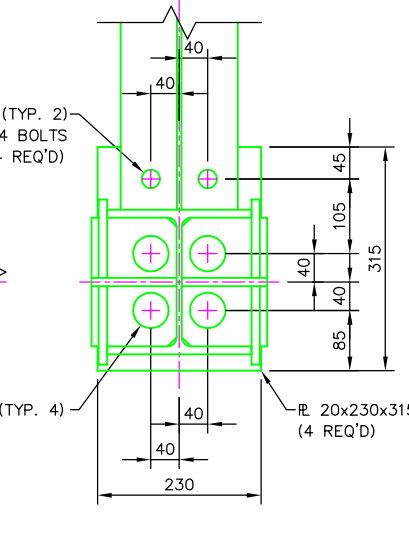
SECTION F-F

BOTTOM CHORD



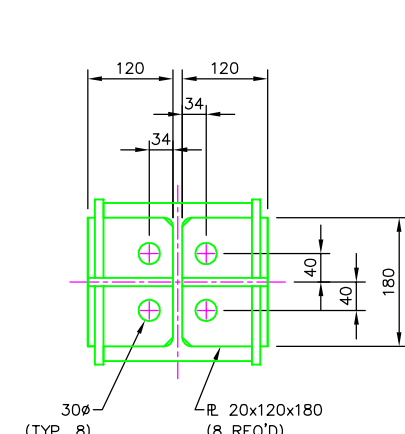
ELEVATION

BOTTOM CHORD



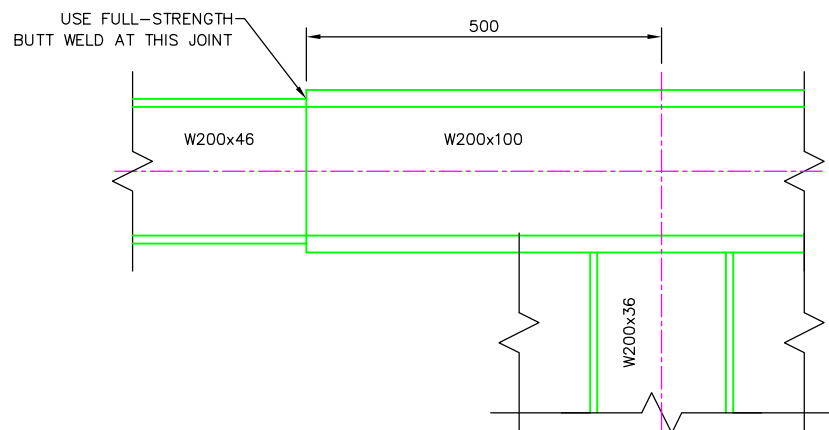
SECTION C-C

**A2 & A3 TRUSS CHORD SPLICES
DETAIL 25**



SECTION G-G

**A1 & A4 TRUSS CHORD SPLICES
DETAIL 24**



**A2 & A3 TRUSS TOP CHORD
W200X46 TO W200X100 JOINT
DETAIL 19**

- NOTES:
 1. ALL GUSSET PLATES ARE 12mm
 2. ALL CONNECTIONS ARE TO USE 6mm
 FILLET WELDS ALL-AROUND UNLESS
 NOTED OTHERWISE

WELD LENGTHS FOR BRACE CONNECTIONS		
SECTION	WELD SIZE	L (mm)
L152x102x9.5	8mm	300
L152x89x9.5	8mm	275
L152x89x7.9	8mm	250
L127x89x7.9	6mm	275
L127x76x7.9	8mm	200
L127x76x6.4	6mm	200
L102x76x6.4	6mm	175
L89x76x6.4	6mm	175
L89x64x6.4	6mm	150
L76x51x7.9	6mm	150
L76x51x6.4	6mm	125
L64x51x6.4	6mm	125
L51x51x6.4	6mm	100

**DO NOT SCALE DRAWINGS
 ALL DIMENSIONS IN MILLIMETERS
 UNLESS NOTED OTHERWISE**

DATE:	
REVISION DESCRIPTION:	
REV:	



ANDY'S BEST CAD
 9715 S. MERIBULA ST.
 LITTLETON, CO 80130
 303-791-1622
 WWW.ANDYSBESTCAD.COM

DRAWN: A.LANDT
 DESIGNED: 08/03/04
 CLIENT: LITTLETON, CO
 DATE: 1:10
 SCALE:

DRAWING TITLE:
 TRUSS DETAILS 1

DRAWING NO.:
 S02/210
 OF