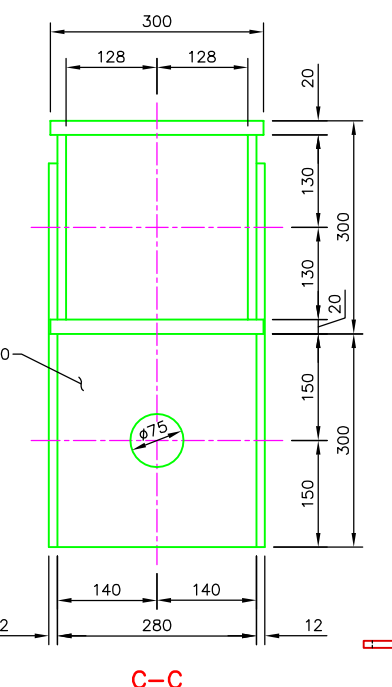
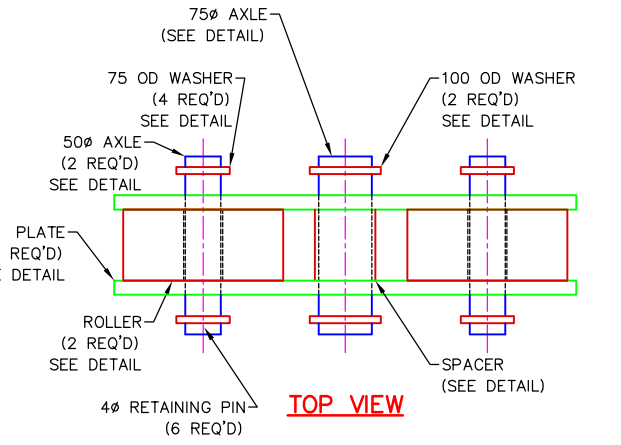
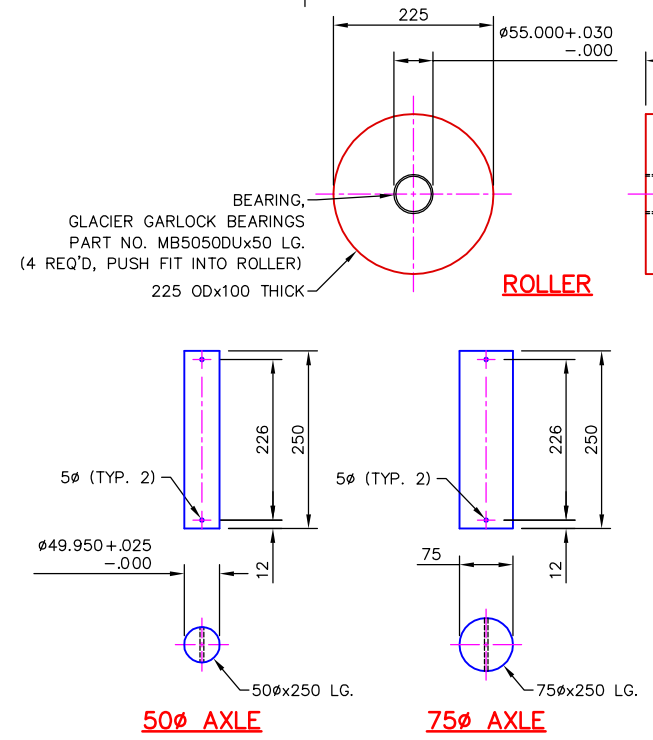
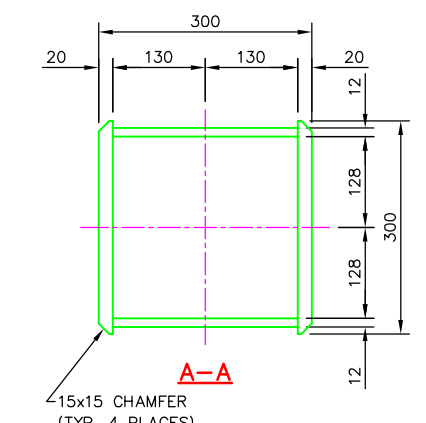
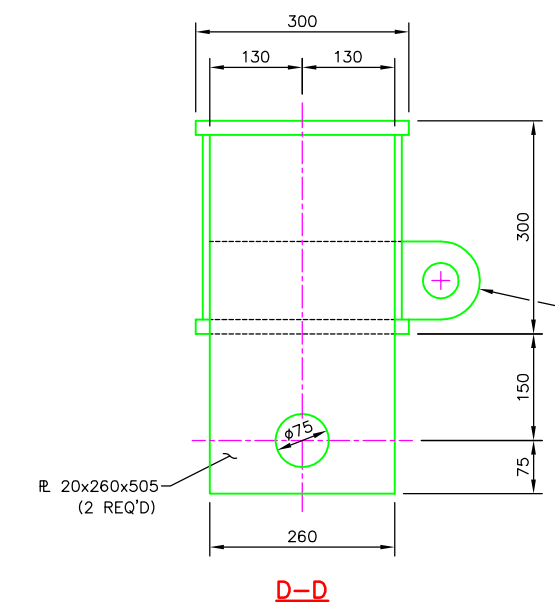


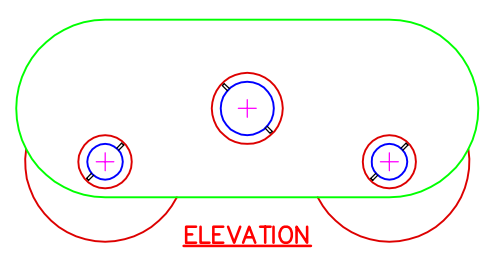
CENTER LAUNCH ROLLER (2 REQ'D, 1 LH & 1 RH)



CENTER LAUNCH ROLLER DETAIL (2 REQ'D)



TOP VIEW



ROLLER ASSEMBLY

- NOTES:**
 1. ALL CONNECTIONS ARE TO USE 6mm FILLET WELDS ALL-AROUND UNLESS NOTED OTHERWISE

REV	REVISION DESCRIPTION	DATE



ANDY'S BEST CAD
 9715 S. MERIBULA ST.
 LITTLETON, CO 80130
 303-791-1622
 WWW.ANDYBESTCAD.COM

DRAWN: A.LANDT
 DESIGNED:
 CLIENT: 08/03/04
 DATE: 1:10
 SCALE:

DRAWING TITLE:
 CENTER LAUNCH HANGER

DRAWING NO.:

S01/122
 OF

DO NOT SCALE DRAWINGS
 ALL DIMENSIONS IN MILLIMETERS UNLESS NOTED OTHERWISE