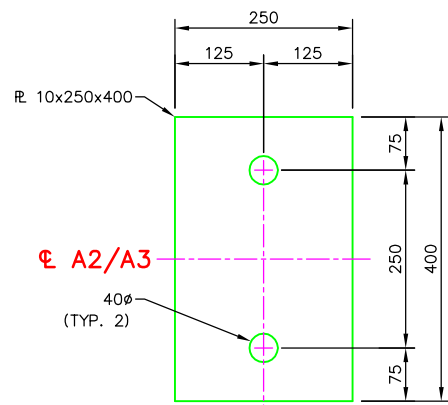
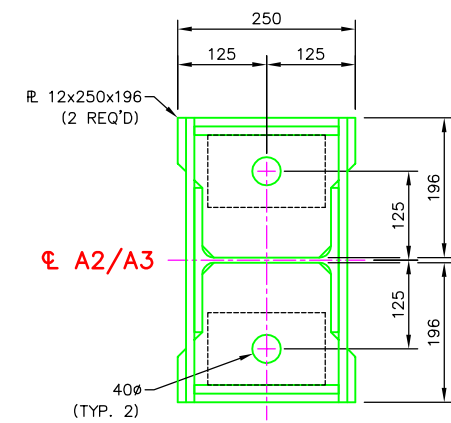


PLAN VIEW B-B

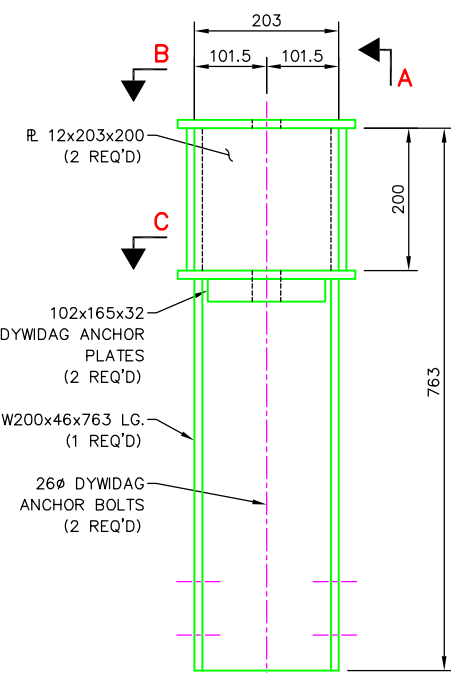


ϕ B1

PLATE SPACER
(5 REQ'D PER ANCHOR)

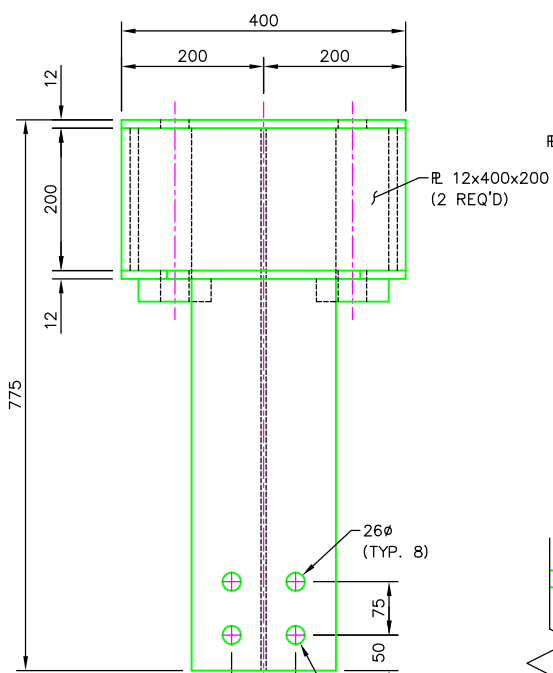


PLAN VIEW C-C

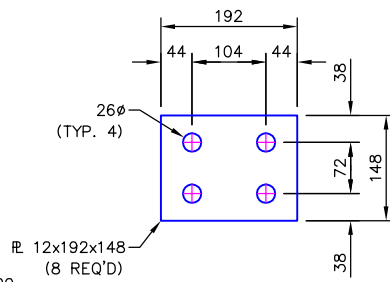


ELEVATION

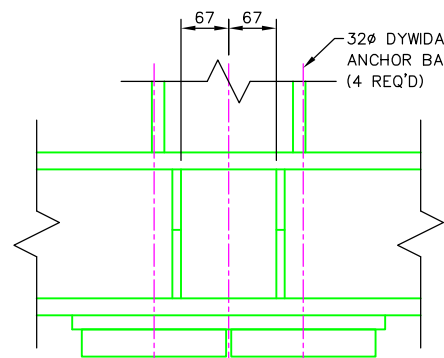
REAR ANCHOR
(2 REQ'D)



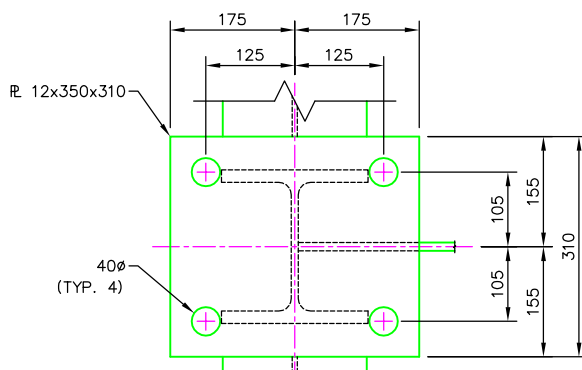
A-A



COVER PLATE

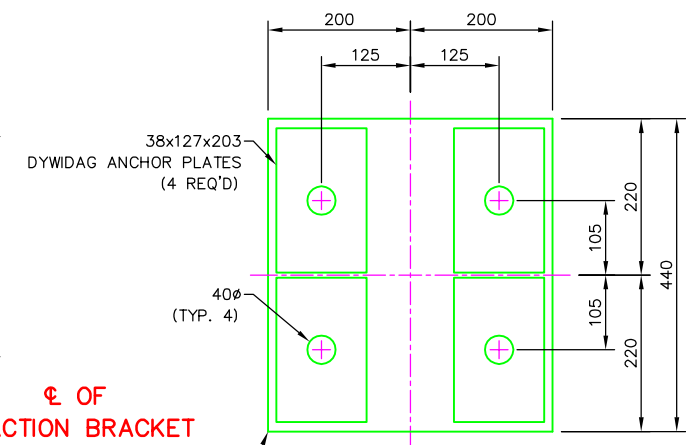


E-E

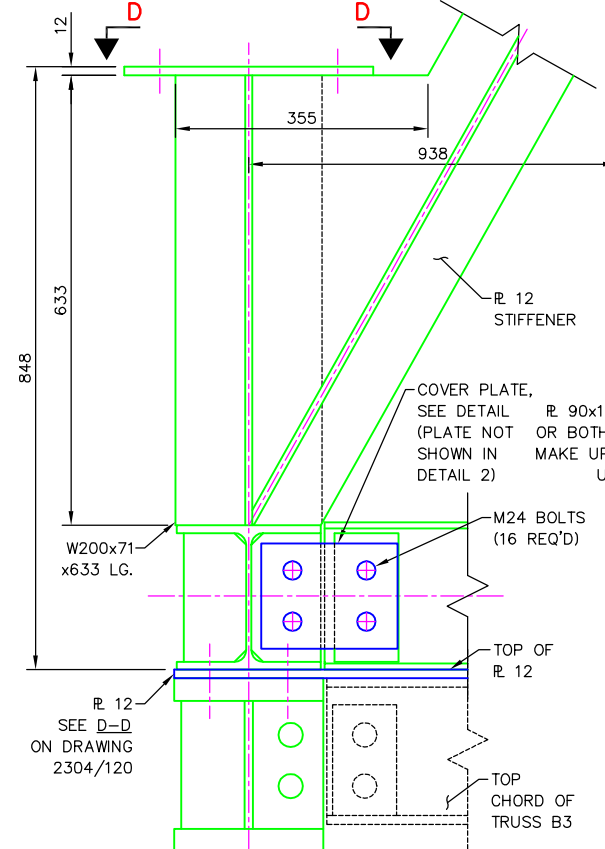


PLAN VIEW D-D

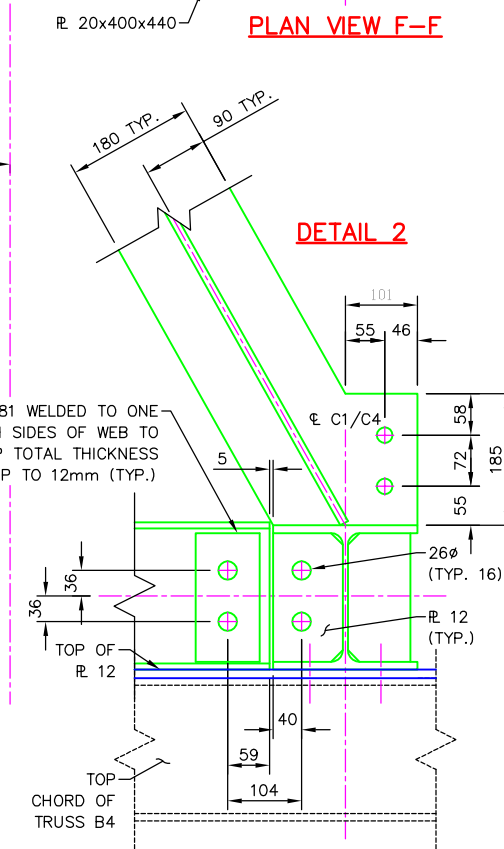
ϕ OF REACTION BRACKET



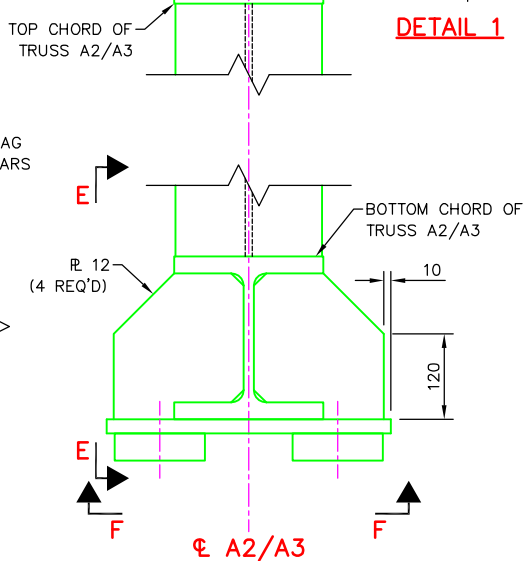
PLAN VIEW F-F



DETAIL 1



DETAIL 2



ϕ A2/A3

DATE:

REV: REVISION DESCRIPTION:



ANDY'S BEST CAD
9715 S. MERIBULA ST.
LITTLETON, CO 80130
303-791-1622
WWW.ANDYSBESTCAD.COM

DRAWN: A.LANDT
DESIGNED:
CLIENT: 08/03/04
DATE: 1:10
SCALE:

DRAWING TITLE:
CENTER
AND REAR
ANCHORS

DRAWING NO.:

S01/121
OF

DO NOT SCALE DRAWINGS
ALL DIMENSIONS IN MILLIMETERS
UNLESS NOTED OTHERWISE