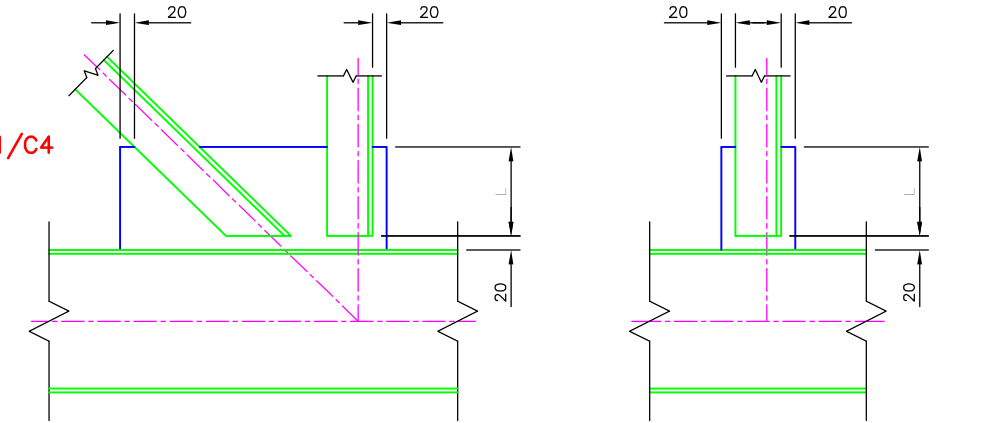


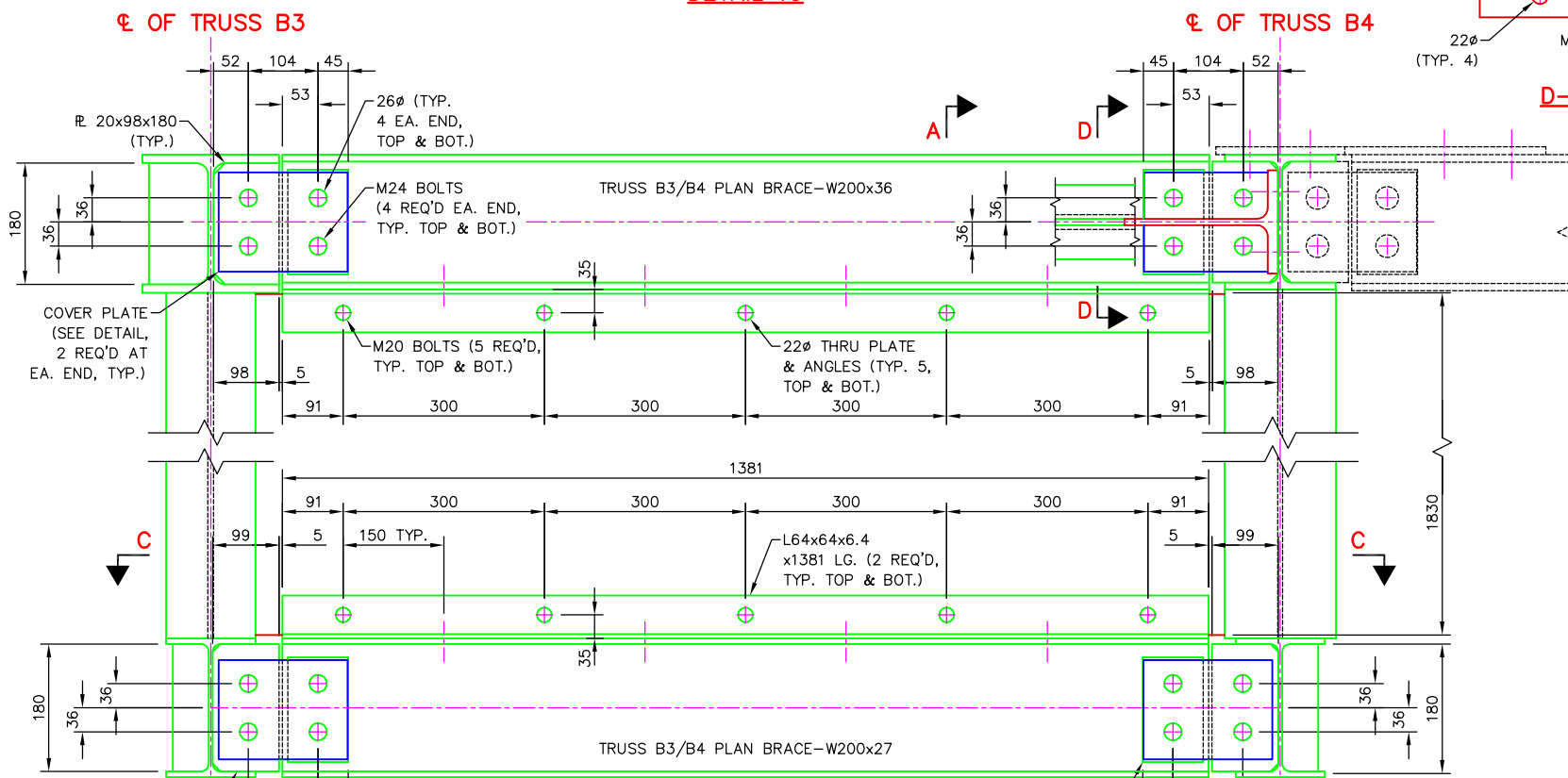
TRUSS B3 & B4 PLATE DIAPHRAGM BRACING DETAIL 13

PLAN BRACE CONNECTION DETAIL 6

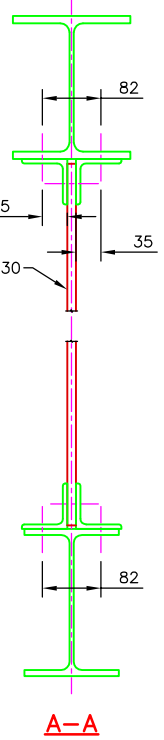


TYPICAL TRUSS D VERTICAL BRACING-2 BRACES TRUSS D1 IS SHOWN-OTHERS SIMILAR DETAIL 10

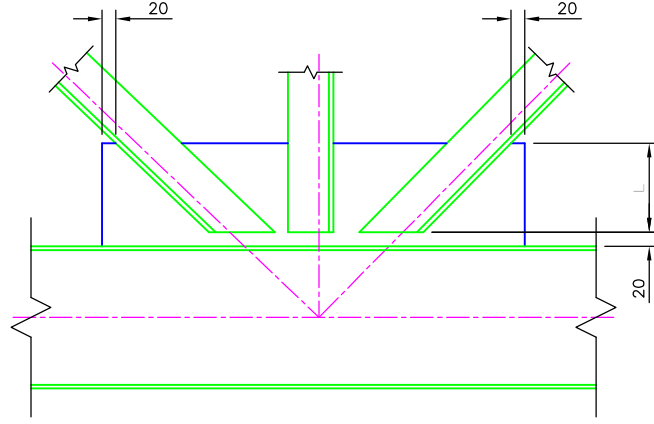
TYPICAL TRUSS D VERTICAL BRACING-ONE BRACE TRUSS D1 IS SHOWN-OTHERS SIMILAR DETAIL 11



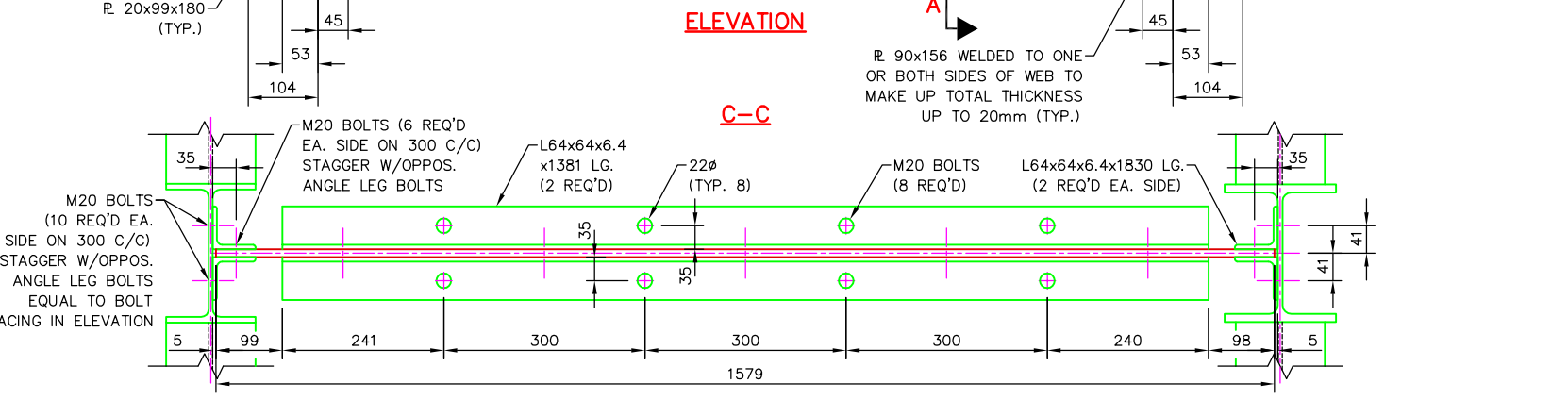
ELEVATION



A-A



TYPICAL TRUSS D VERTICAL BRACING-3 BRACES TRUSS D1 IS SHOWN-OTHERS SIMILAR DETAIL 9



C-C

GUSSET DEPTH FOR BRACING CONNECTIONS		
SECTION	WELD SIZE	L (mm)
L152x102x12.7	8mm	375
L152x102x7.9	8mm	300
L152x89x9.5	8mm	300
L152x89x7.9	6mm	325
L127x89x7.9	6mm	300
L127x76x7.9	6mm	275
L127x76x6.4	6mm	225
L102x89x6.4	6mm	200
L102x76x6.4	6mm	200
L89x76x6.4	6mm	175
L89x64x6.4	6mm	175
L76x64x6.4	6mm	150
L76x51x6.4	6mm	150
L64x51x6.4	6mm	125
L51x51x6.4	6mm	125

- NOTES:
 1. ALL GUSSET PLATES ARE 12mm
 2. ALL CONNECTIONS ARE TO USE 6mm FILLET WELDS ALL-AROUND UNLESS NOTED OTHERWISE

DO NOT SCALE DRAWINGS
ALL DIMENSIONS IN MILLIMETERS UNLESS NOTED OTHERWISE

DATE:	
REVISION DESCRIPTION:	
REV:	



ANDY'S BEST CAD
 9715 S. MERIMBULA ST.
 LITTLETON, CO 80130
 303-791-1622
 WWW.ANDYSBESTCAD.COM

DRAWN: A.LANDT
 DESIGNED:
 CLIENT: 08/03/04
 DATE: 1:10
 SCALE:

DRAWING TITLE:
 TRUSS DETAILS

DRAWING NO.:
 S01/117
 OF