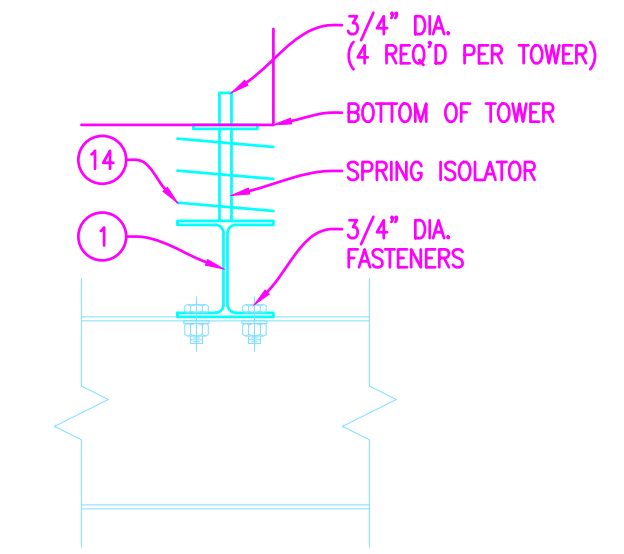
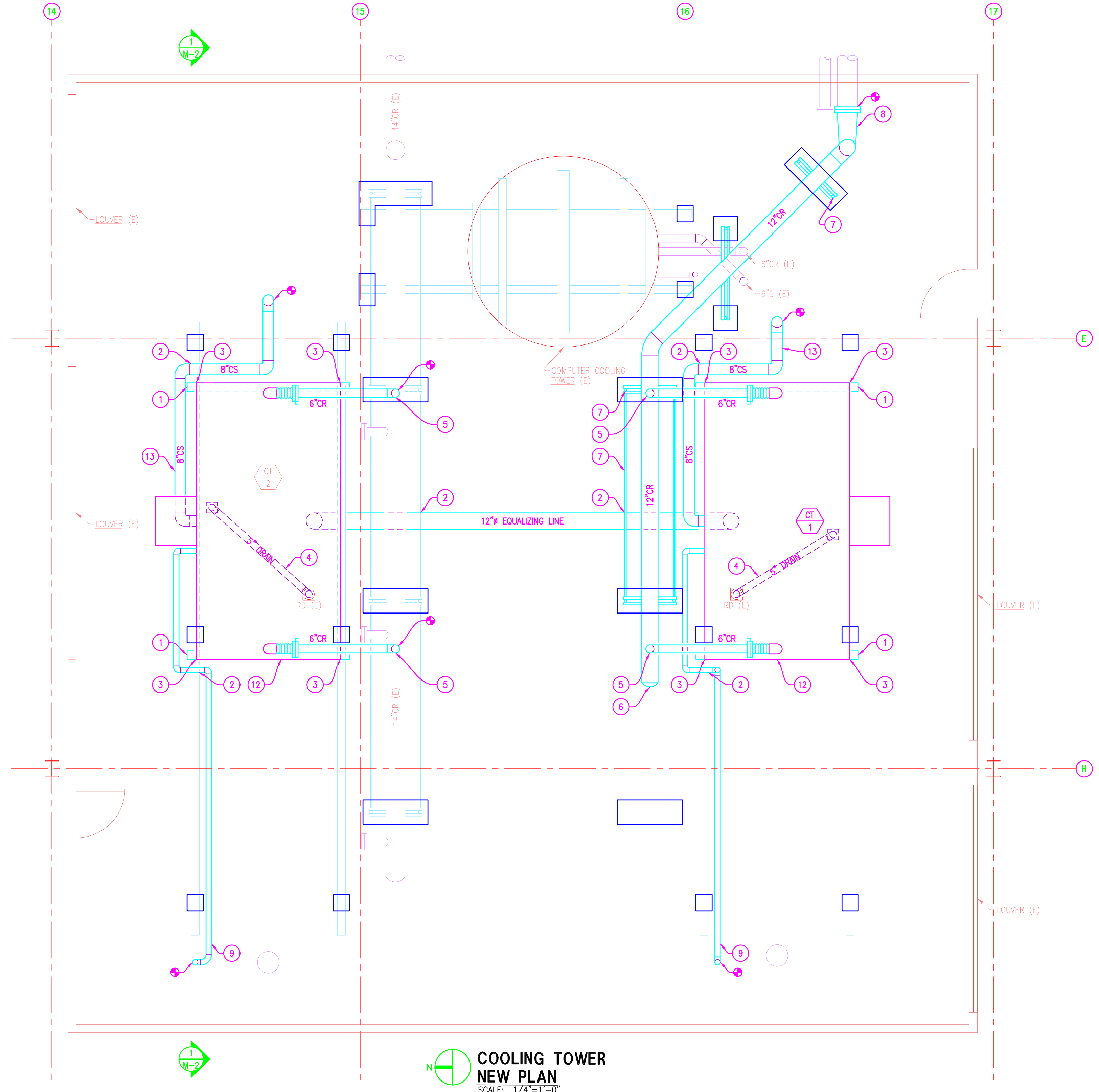


NOTES BY SYMBOL

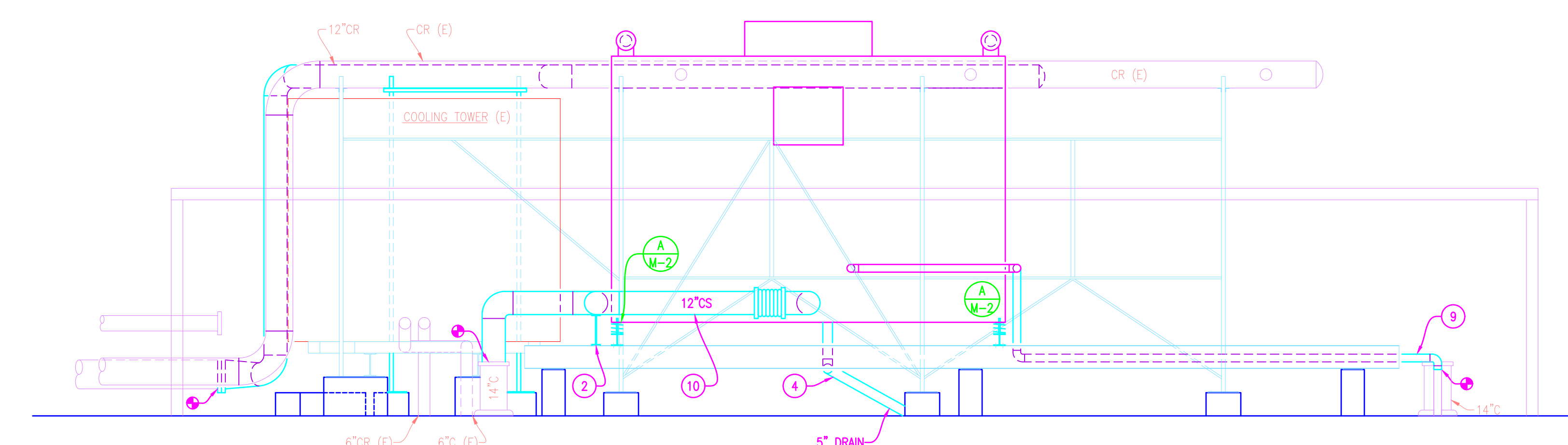
1. PROVIDE STEEL SUPPORTS. SEE DETAIL 1/M-2 FOR STRUCTURAL DETAIL. TYPICAL EACH TOWER.
2. PROVIDE PIPING SUPPORTS AT LOCATIONS INDICATED.
3. REFER TO VIEW A FOR DETAIL.
4. ROUTE 5" COMBINATION OVERFLOW/DRAIN PIPING TO EXISTING ROOF DRAIN LOCATIONS AS INDICATED. TYPICAL EACH TOWER.
5. ROUTE 6" CONDENSER WATER RETURN LINES FROM CONDENSER WATER RETURN TO COOLING TOWER INLETS.
6. ROUTE 12" CONDENSER WATER RETURN LINE BETWEEN EXISTING COOLING TOWER AND SUPPORT.
7. PROVIDE STEEL SUPPORTS, SIMILAR TO EXISTING ON OTHER TOWER'S PIPING SUPPORT.
- 8.
9. RELOCATE MAKE-UP WATER PIPING TO NEW ELEVATION AT LOCATION INDICATED FOR NEW COOLING TOWER.
10. ROUTE 12" CONDENSER WATER SUPPLY PIPING BETWEEN EXISTING COOLING TOWER SUPPORT FRAMING TO SIDE CONTACT POINT ON COOLING TOWER, AS INDICATED. PROVIDE NEW SUPPORT AT THE SAME INTERVALS AS EXISTING CONDENSER WATER SUPPLY PIPING.
11. ROUTE NEW 12" AND
12. OWNER FURNISHED MARLEY MODEL NC8304F1 FACTORY ASSEMBLED COOLING TOWER. MECHANICAL CONTRACTOR TO PROVIDE LABOR TO UNLOAD, HAUL, DELIVER MATERIAL TO THE ROOF, AND INSTALL TOWERS BY A MARLEY FACTORY CERTIFIED CONTRACTOR. CONTRACTORS THAT ARE NOT MARLEY CERTIFIED WILL NOT BE ACCEPTED.
13. ROUTE NEW 8" CONDENSER SUPPLY PIPING AROUND NEW COOLING TOWER INSTALLATION. REFERENCE NEW WORK.
14. PROVIDE VIBRATION ISOLATORS, MASON INDUSTRIES OR APPROVED EQUAL TWO REQUIRED PER TOWER.



A UNIT MOUNTING DETAIL
SCALE: 1/4"=1'-0"

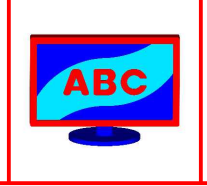


COOLING TOWER NEW PLAN
SCALE: 1/4"=1'-0"



1 SECTION
SCALE: 1/4"=1'-0"

DATE:	
REVISION DESCRIPTION:	
ENGINEER'S STAMP	
ANDY'S BEST CAD 1323 CARLYLE PARK CIRCLE HIGHLANDS RANCH, CO 80129 303-808-3352 WWW.ANDYSBESTCAD.COM	
ABC DRAWN: DESIGNED: CLIENT: DATE: SCALE:	ABC 03/11/22 1/4"=1'-0"
PROJECT:	HEALTH CARE OFFICE BUILDING COOLING TOWER REPLACEMENT MECHANICAL CONSTRUCTION DRAWINGS
DRAWING TITLE:	COOLING TOWER NEW MECHANICAL PLAN
DRAWING NO:	M02 or



© 2022 ANDY'S BEST CAD. ALL RIGHTS RESERVED. THIS DRAWING IS THE PROPERTY OF ANDY'S BEST CAD AND IS PROTECTED BY COPYRIGHT LAWS OF THE UNITED STATES OF AMERICA. ANY UNAUTHORIZED USE OF THE INFORMATION CONTAINED HEREIN OR PART THEREOF IS STRICTLY PROHIBITED. RECEIPT OR POSSESSION THEREOF DOES NOT CONVEY OR TRANSFER ANY RIGHT TO MAKE, COPY, MANUFACTURE AND/OR SELL EITHER THE DRAWING OR THE ITEMS SHOWN THEREIN.