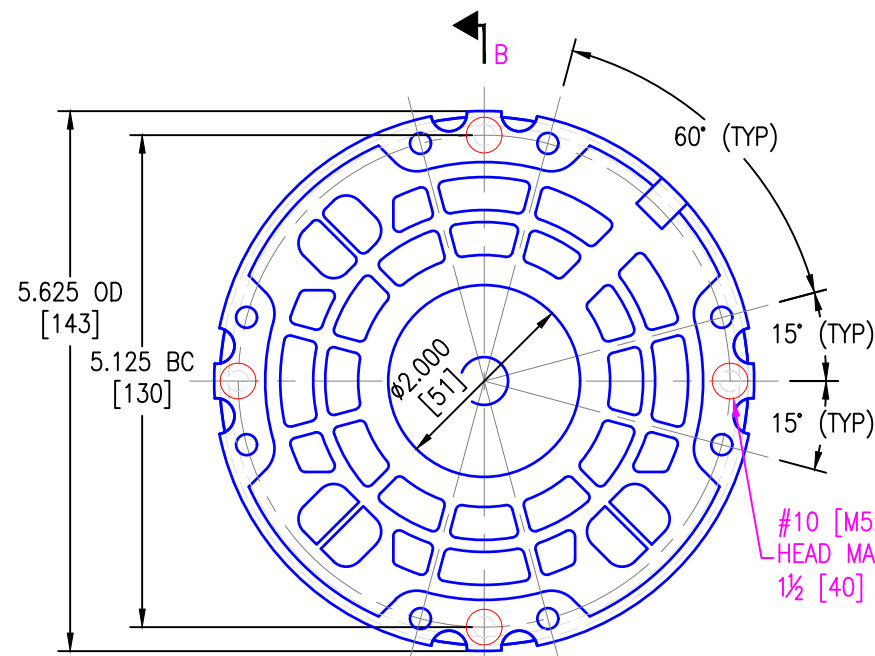
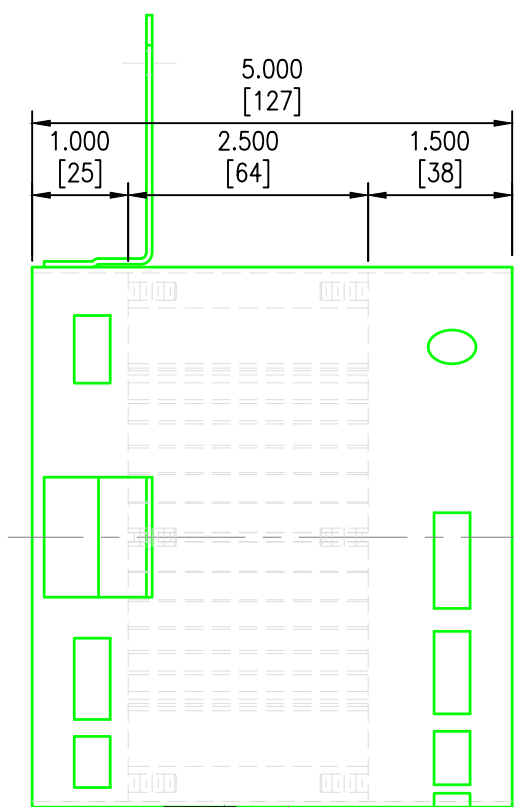


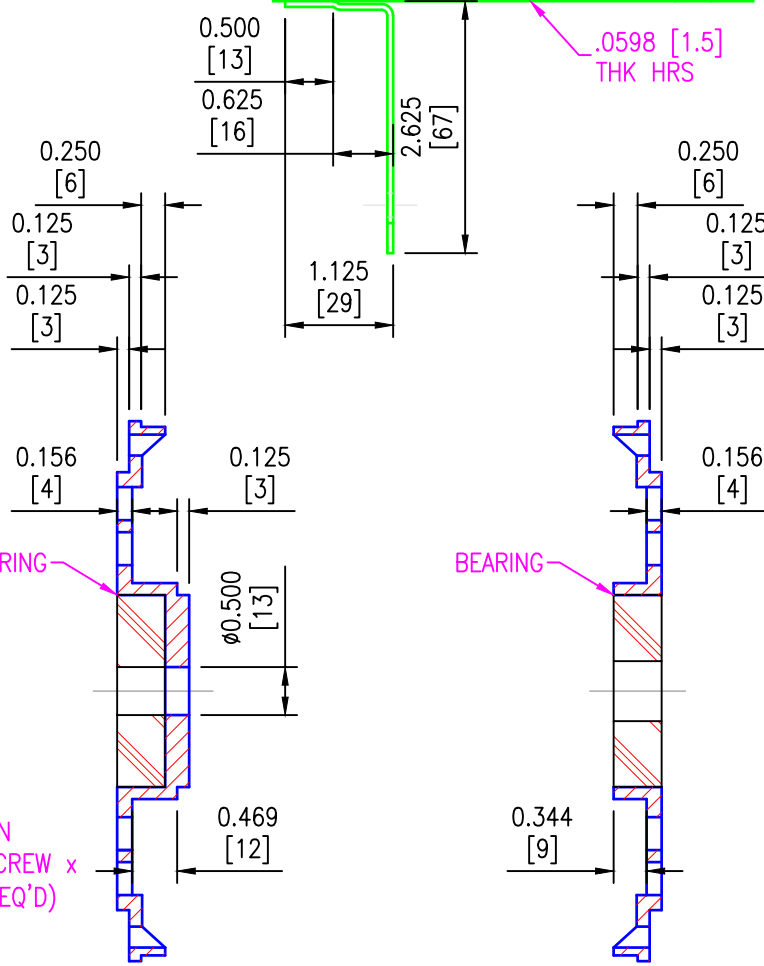
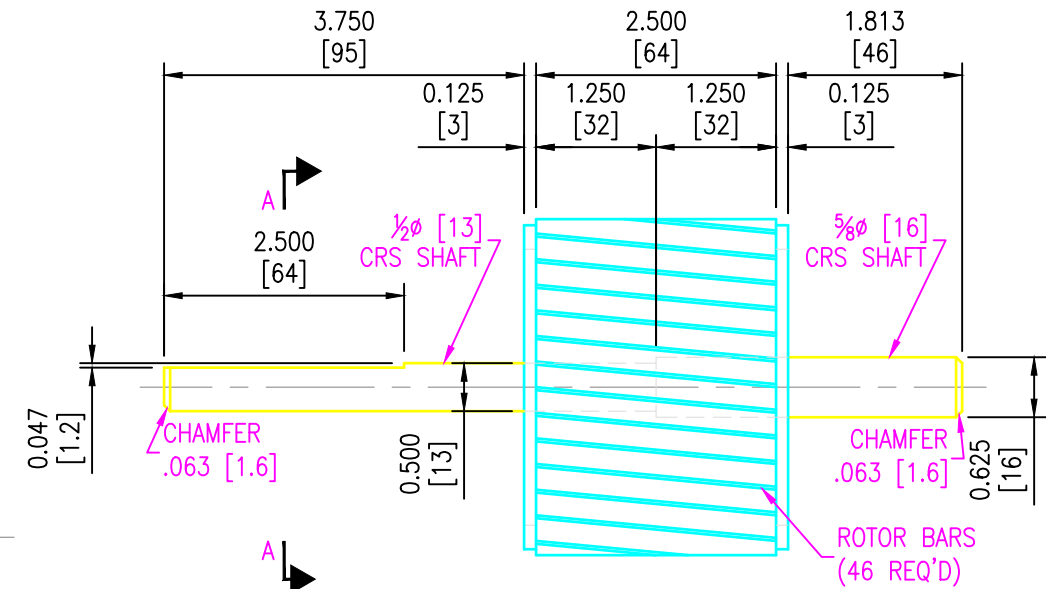
FRAME & STATOR
SCALE: 1:2



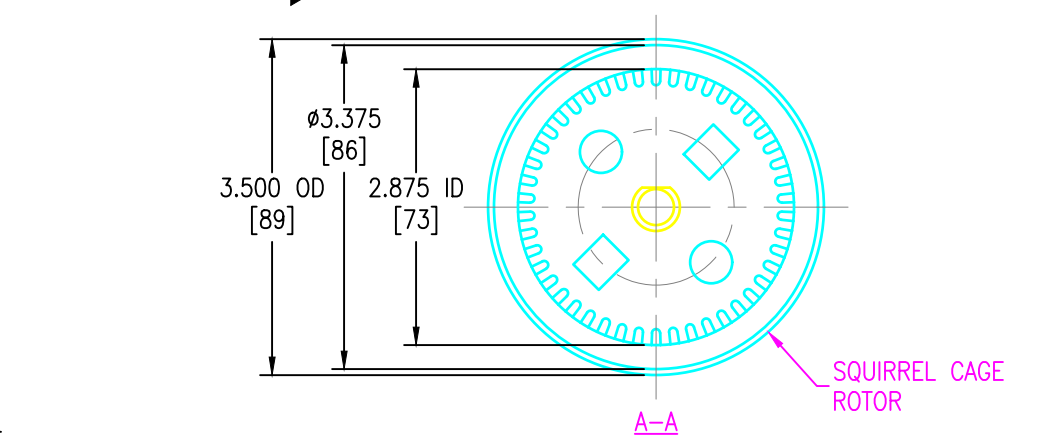
TOP END PLATE
SCALE: 1:2



ROTOR
SCALE: 1:2



BOTTOM END PLATE
SCALE: 1:2



DATE:	
-------	--

REVISION DESCRIPTION:	
-----------------------	--

REV:	
------	--



ANDY'S BEST CAD
1323 CARLYLE PARK CIRCLE
HIGHLANDS RANCH, CO 80129
303-808-3352
WWW.ANDYSBESTCAD.COM

DRAWN:	ABC
DESIGNED:	
CLIENT:	03/22/22
DATE:	AS SHOWN
SCALE:	

DRAWING TITLE:	MOTOR FRAME & STATOR, ROTOR, TOP & BOTTOM END PLATES
----------------	--

DRAWING NO:	
-------------	--

DO NOT SCALE DRAWINGS
ALL DIMENSIONS IN INCHES
[] DIMENSIONS IN mm

M101
OF