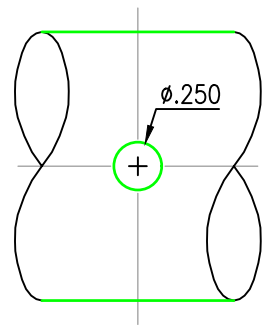
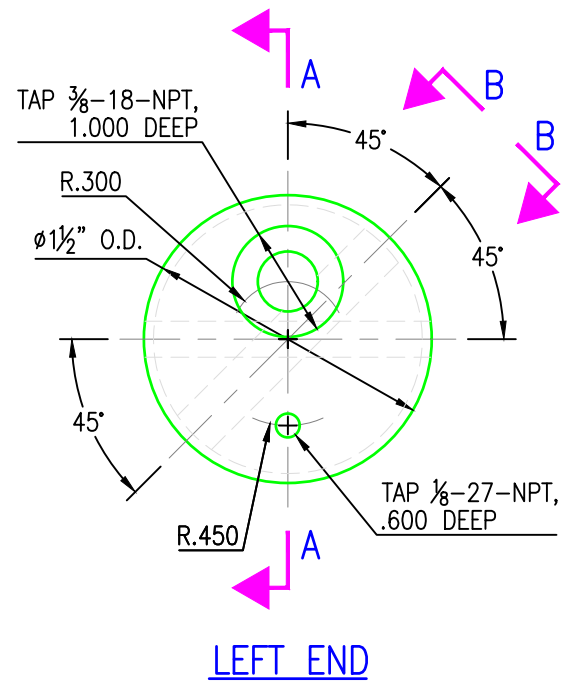


NOTES:

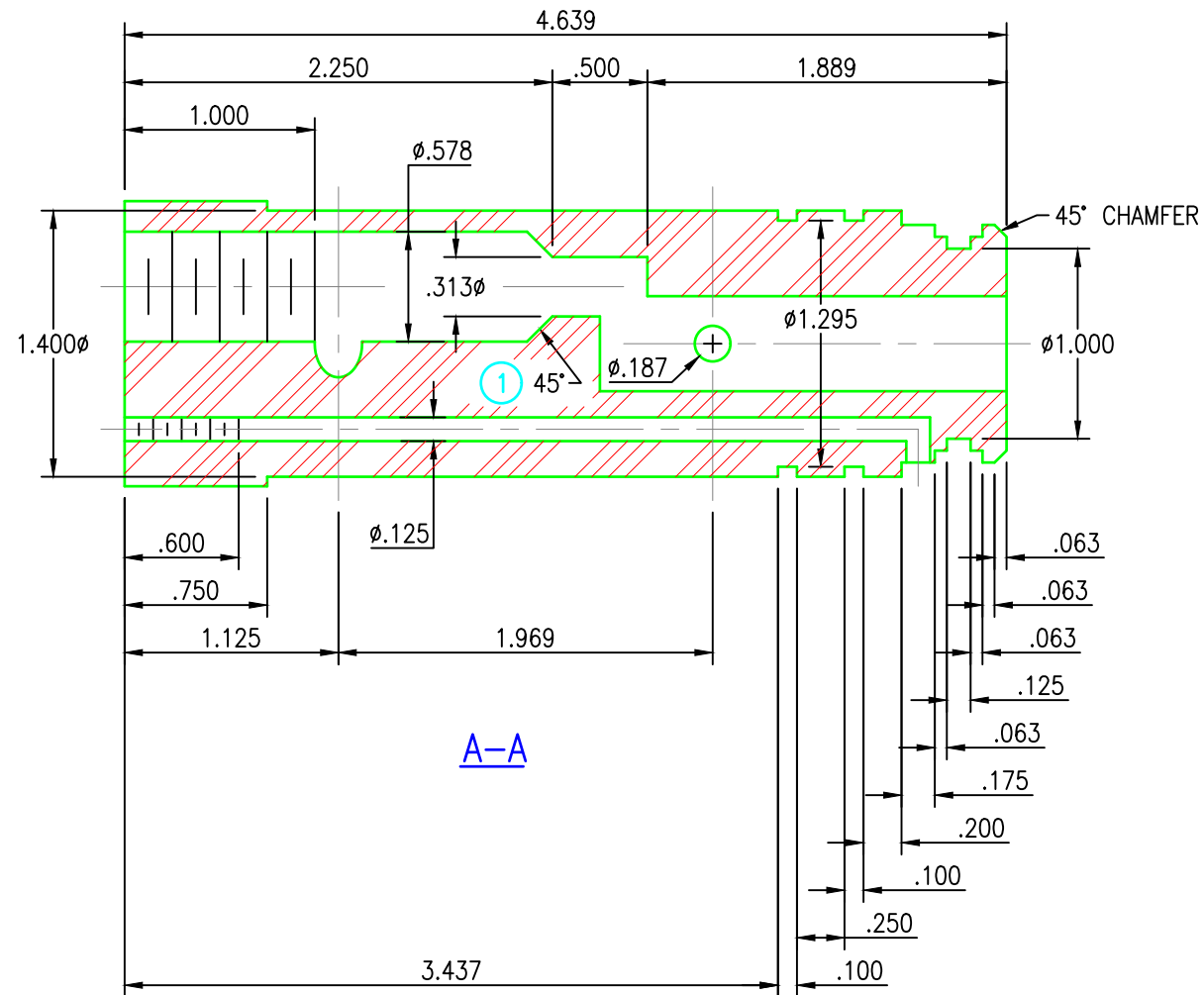
- ① CHECK BALL/VALVE SEAT FOR 11mm BALL MUST BE CLEAN, SMOOTH AND DEBURRED
2. PART MUST BE KEPT FREE FROM GREASE, OIL AND SOLVENT



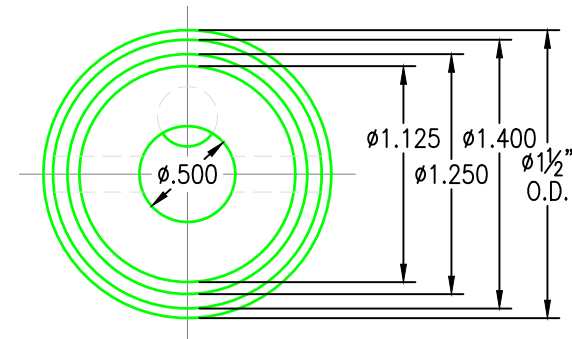
B-B



LEFT END



A-A



RIGHT END

REV:	REVISION DESCRIPTION:	DATE:



ANDY'S BEST CAD
 1323 CARLYLE PARK CIRCLE
 HIGHLANDS RANCH, CO 80129
 303-808-3352
 WWW.ANDYSBESTCAD.COM

DRAWN: ABC
 DESIGNED:
 CLIENT: 03/22/22
 DATE: AS SHOWN
 SCALE:

DRAWING TITLE:
 MISCELLANEOUS
 MACHINED
 PART #1

DRAWING NO:

M101
 OF

DO NOT SCALE DRAWINGS
 ALL DIMENSIONS IN FT & IN
 UNLESS NOTED OTHERWISE