

©2021 ANDY'S BEST CAD. ALL RIGHTS RESERVED. THIS DRAWING IS THE PROPERTY OF ANDY'S BEST CAD AND IS PROTECTED BY COPYRIGHT LAWS OF THE UNITED STATES OF AMERICA. ANY UNAUTHORIZED USE OF THE INFORMATION CONTAINED HEREIN OR PART THEREOF IS STRICTLY PROHIBITED. RECEIPT OR POSSESSION THEREOF DOES NOT CONFER OR TRANSFER ANY RIGHT TO MAKE, COPY, MANUFACTURE AND/OR SELL EITHER THE DRAWING OR THE ITEMS SHOWN THEREIN.

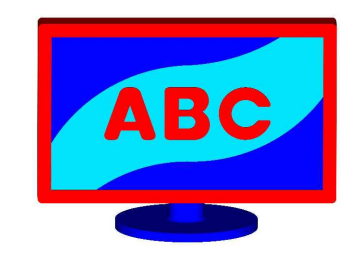
GENERAL NOTES

- THIS DRAWING IS INTENDED TO BE A GENERAL ARRANGEMENT OF THE RAILING PLAN LENGTHS, WIDTHS, HEIGHTS, CONFIGURATIONS AND WALL CONNECTIONS FOR THE RAILINGS AT THE EXTERIOR STAIRS WALKWAY ONLY. SEE DRAWINGS E415, E416 AND E417 FOR THE RAILINGS AT OTHER LOCATIONS.
- SEE DRAWING E415/DETAIL A FOR THE BR-T1 RAILING CONFIGURATION ABOVE THE PRECAST CONCRETE CAP.
- FIELD VERIFY ALL CLEAR OPENING DIMENSIONS AND EXTERIOR WALL TYPES PRIOR TO FABRICATION AND INSTALLATION OF ALL RAILINGS.
- ALL FIELD WELDED CONNECTIONS SHALL BE CONTINUOUS, GROUND SMOOTH FOR FLUSH TRANSITIONS & PRIMER COATED. PROTECT EXISTING FINISHES DURING CONSTRUCTION.

MATERIAL, COATING & FABRICATION SPECIFICATIONS

MATERIALS & FABRICATION	COATINGS
ROLLED W SHAPES: ASTM A992, 50 ksi	
ROLLED CHANNELS, ANGLES, PLATES, M SHAPES: ASTM A36, 36 ksi	
PIPES: ASTM A53, GR B, SCH 40, BLACK	
HSS TUBES: ASTM A500, GR B	
LAG BOLTS: TYPE 304 SSSL	
SLEEVE ANCHORS: TYPE 304 SSSL	
EXPANSION ANCHORS: TYPE 304 SSSL	
SURFACE PREP:	
WELDING: AWS D1.1, AWS A5.1 CLASS E70XX-LOW HYDROGEN ELECTRODES	

DATE:	
REV:	
DESCRIPTION:	



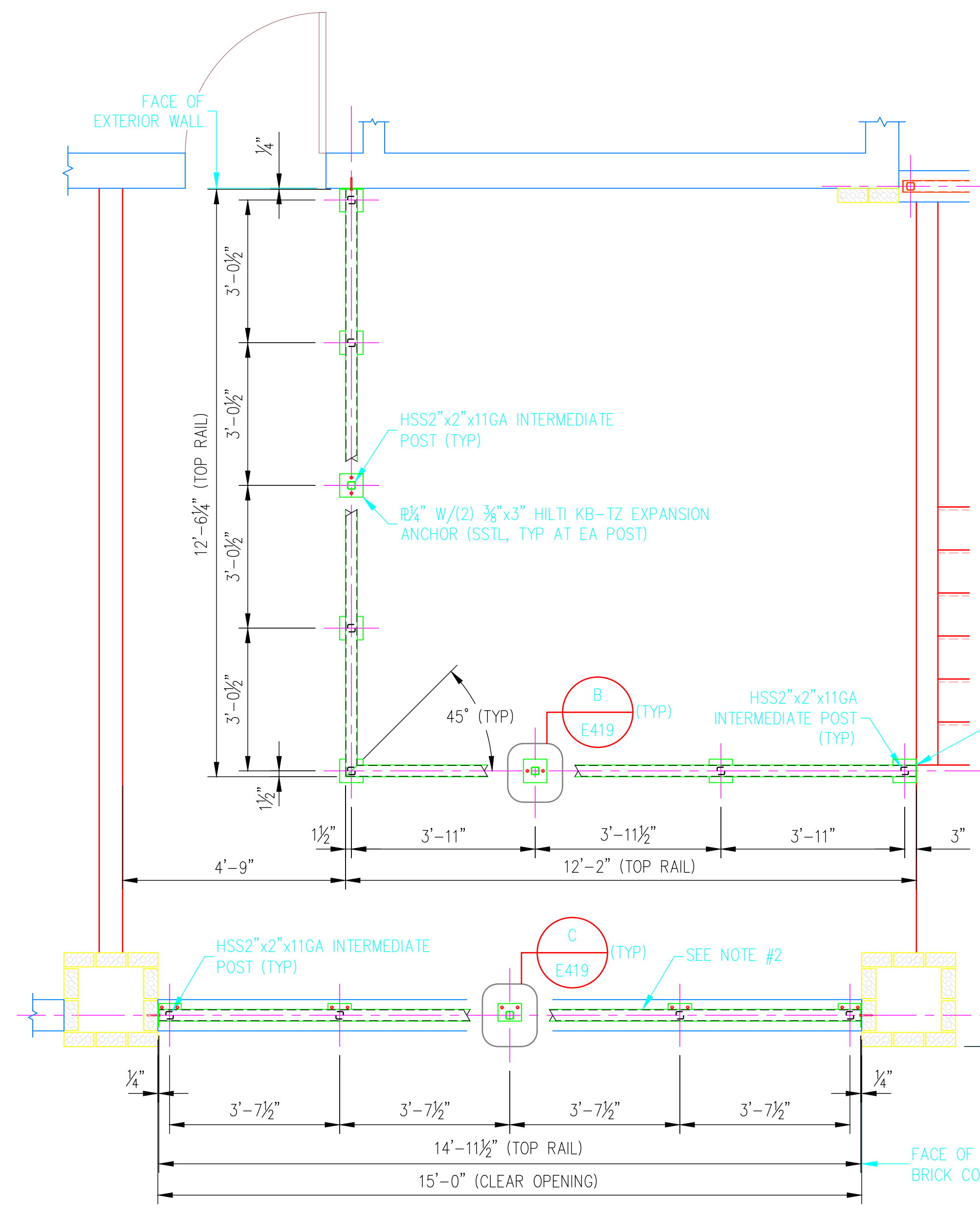
ANDY'S BEST CAD
1323 CARLYLE PARK CIRCLE
HIGHLANDS RANCH, CO 80129
303-808-3352
WWW.ANDYSBESTCAD.COM

DRAWN: ABC
DESIGNED: ABC
CLIENT: ABC
DATE: 12/06/21
SCALE: 1/2"=1'-0"

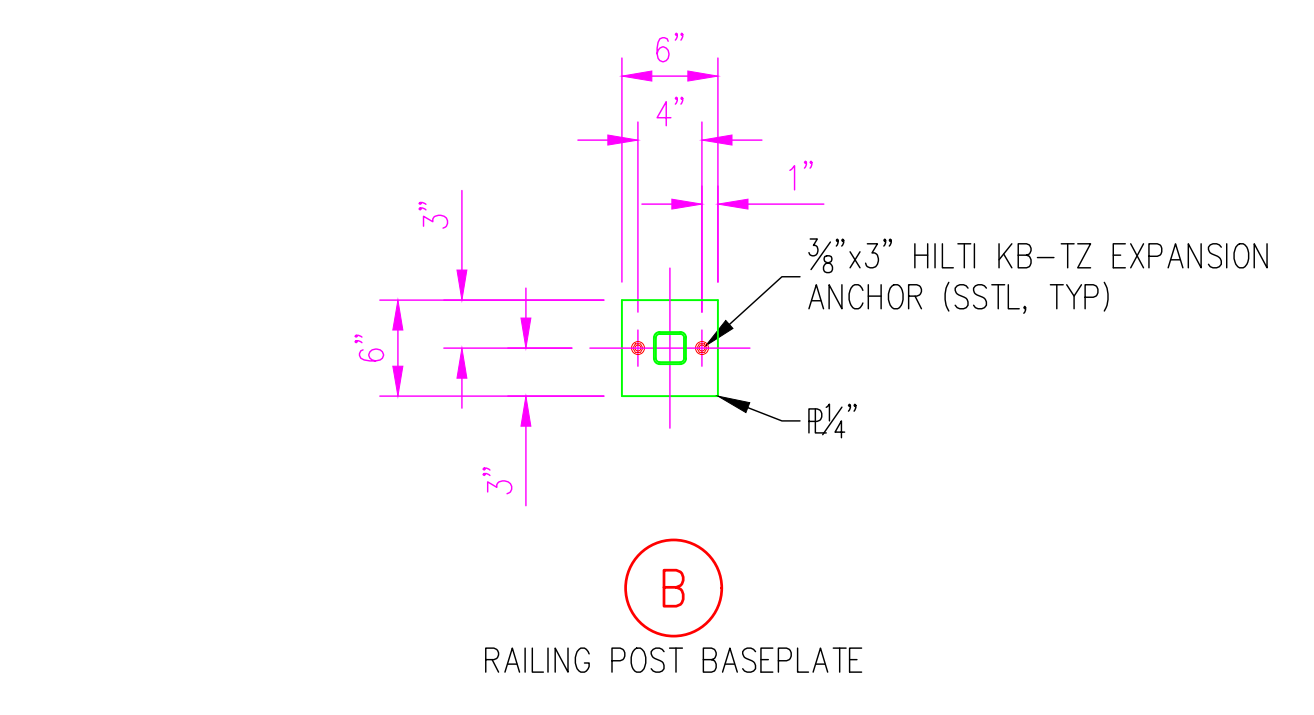
PROJECT:
LUXURY CONDOMINIUMS
DENVER, COLORADO
STAIRCASE, DECK, EXT RAILING
ARCH METALS SHOP DRAWINGS

DRAWING TITLE:
RAILINGS AT
EXTERIOR STAIRS
WALKWAY

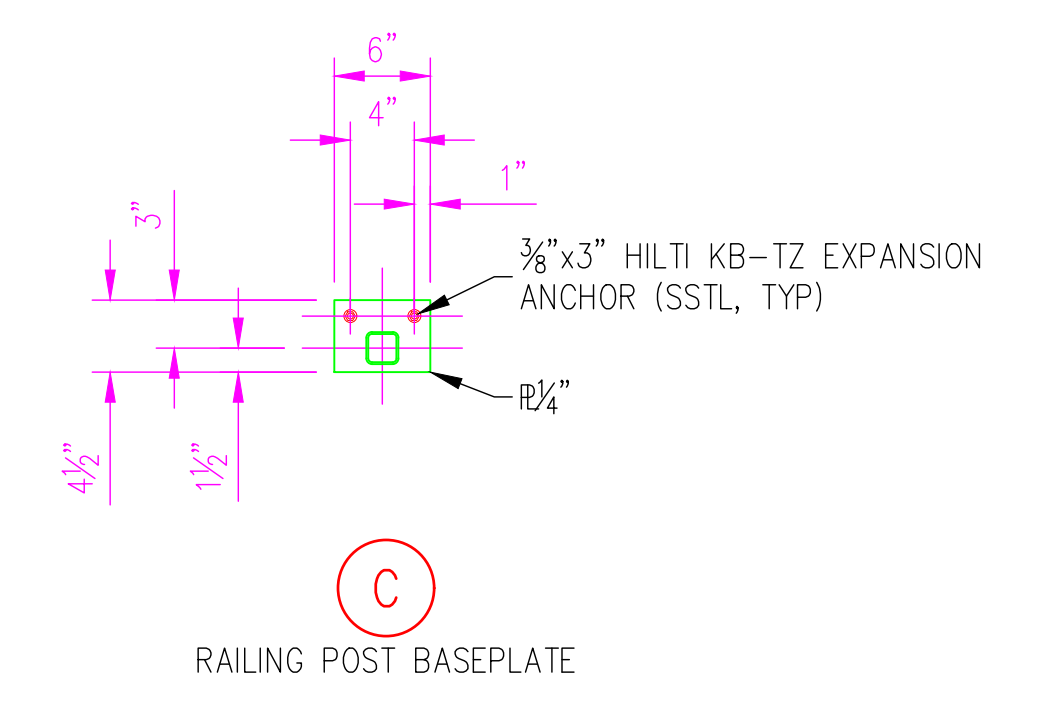
DRAWING NO.:
E419
OF



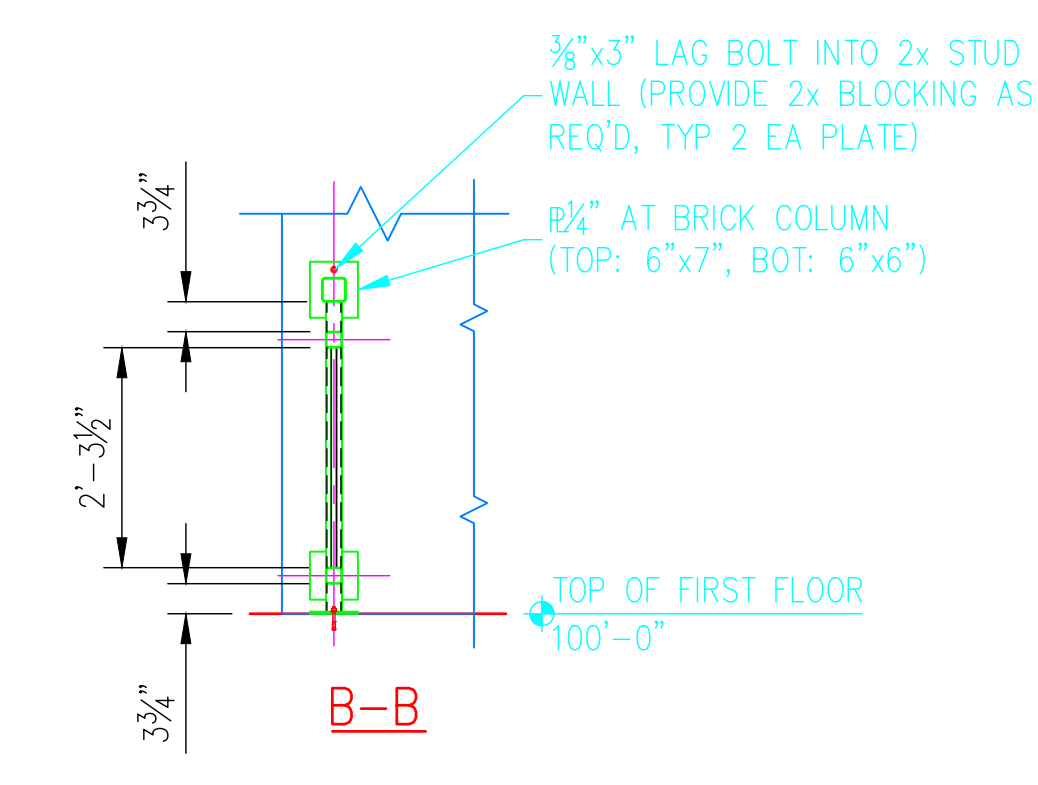
PLAN



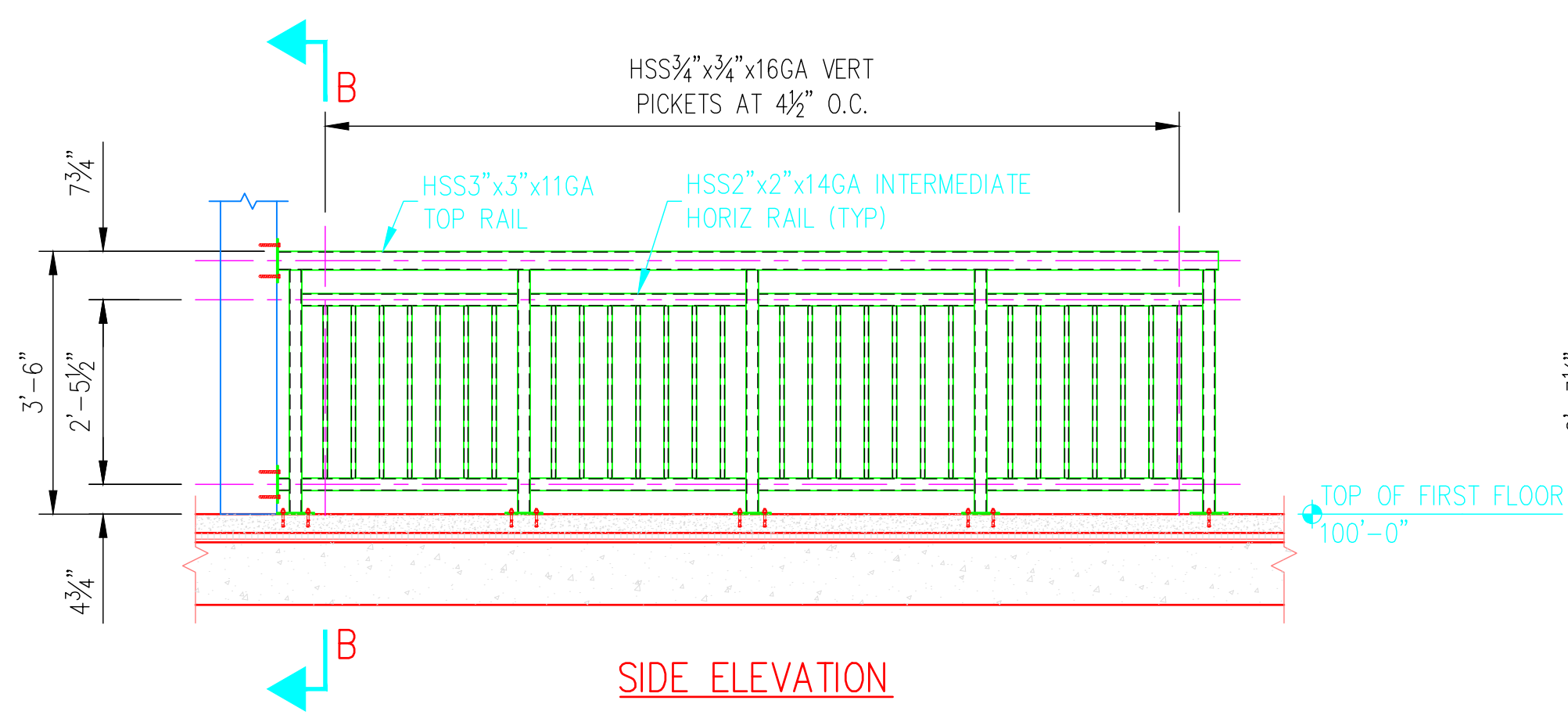
B
RAILING POST BASEPLATE



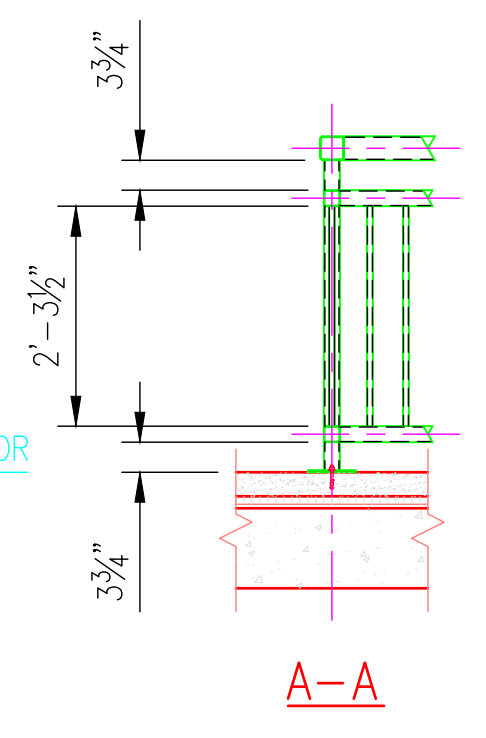
C
RAILING POST BASEPLATE



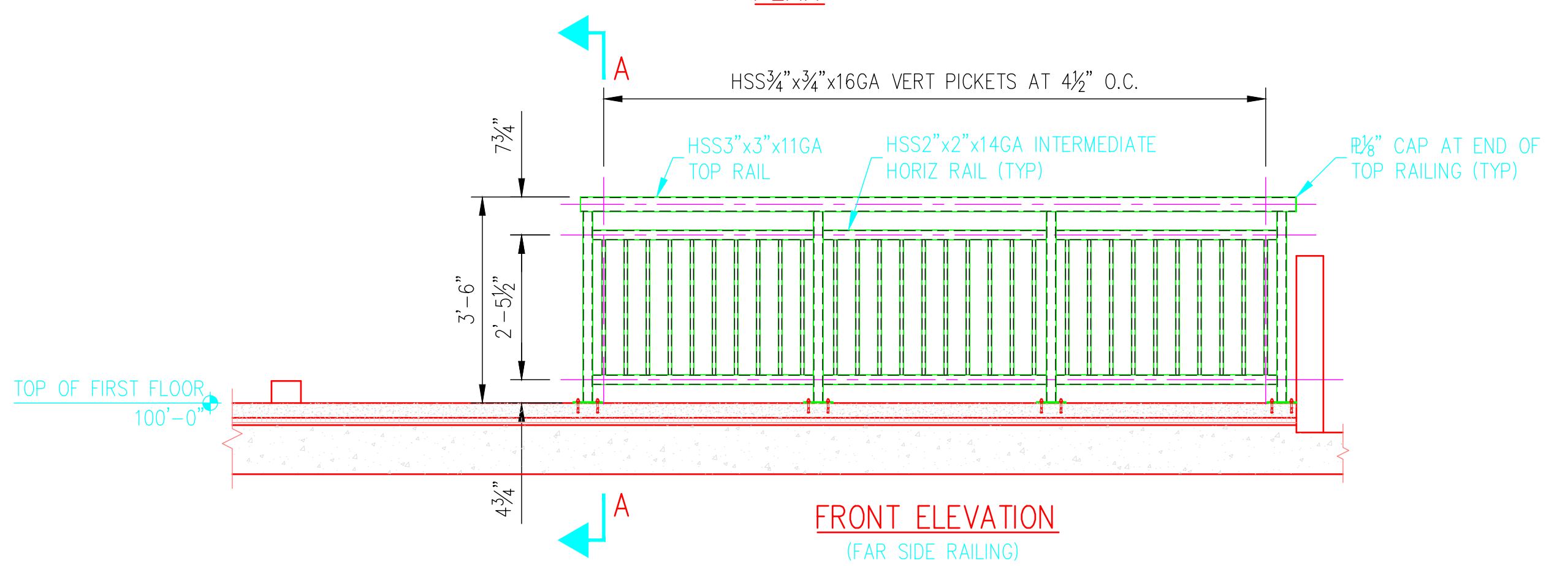
B-B



SIDE ELEVATION



A-A



**FRONT ELEVATION
(FAR SIDE RAILING)**