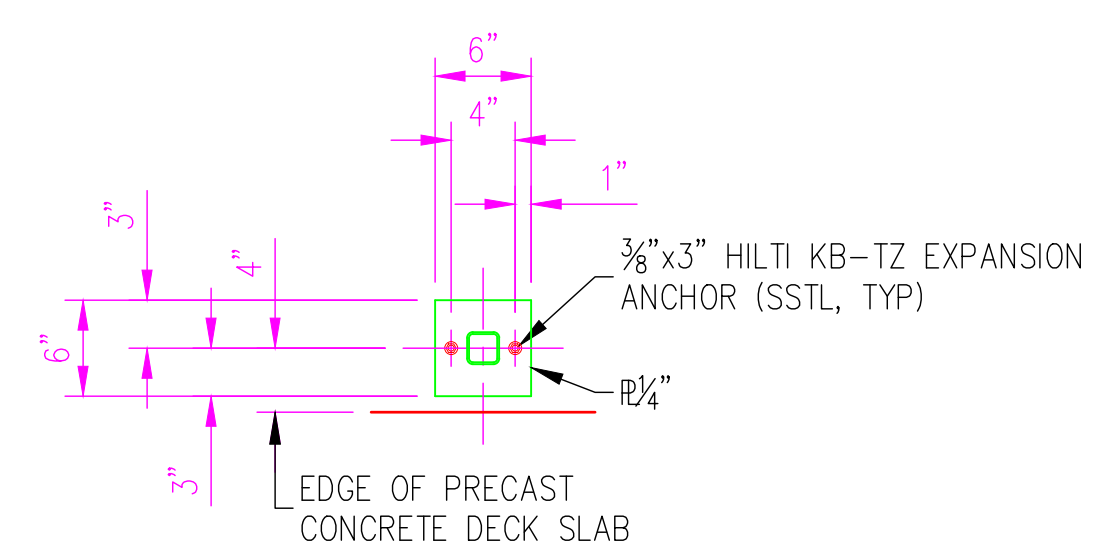
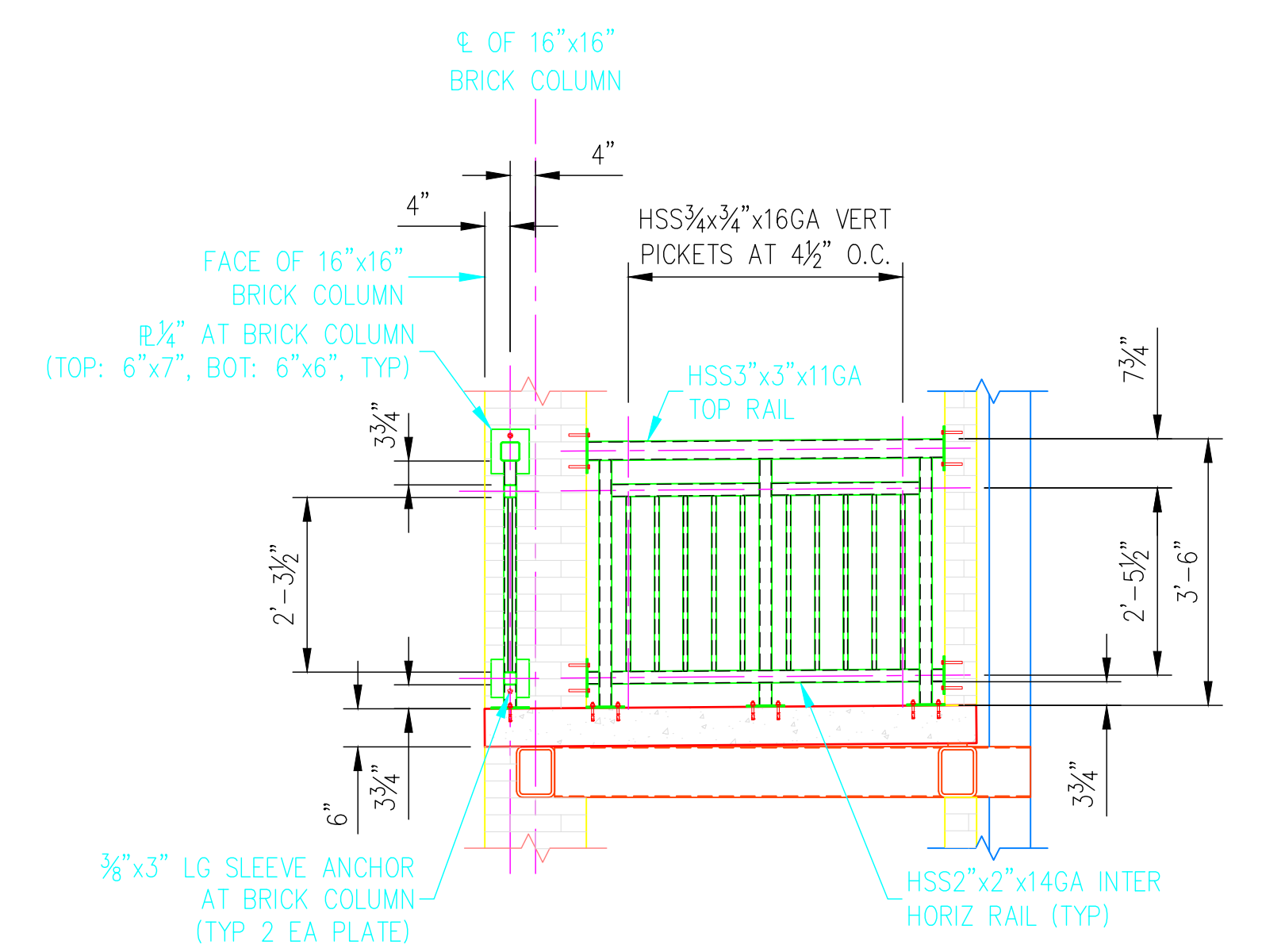


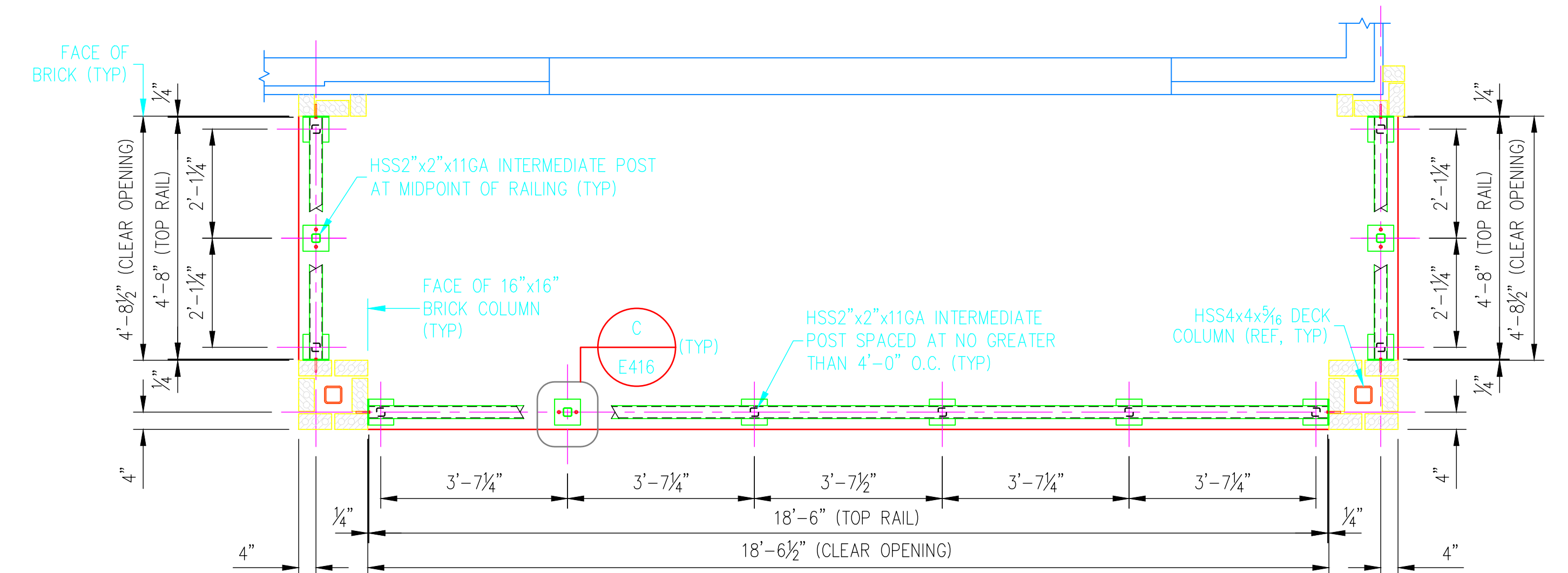
©2021 ANDY'S BEST CAD. ALL RIGHTS RESERVED. THIS DRAWING IS THE PROPERTY OF ANDY'S BEST CAD AND IS PROTECTED BY COPYRIGHT LAWS OF THE UNITED STATES OF AMERICA. ANY UNAUTHORIZED USE OF THE INFORMATION CONTAINED HEREIN OR PART THEREOF IS STRICTLY PROHIBITED. RECEIPT OR POSSESSION THEREOF DOES NOT CONFER OR TRANSFER ANY RIGHT TO MAKE, COPY, MANUFACTURE AND/OR SELL EITHER THE DRAWING OR THE ITEMS SHOWN THEREIN.



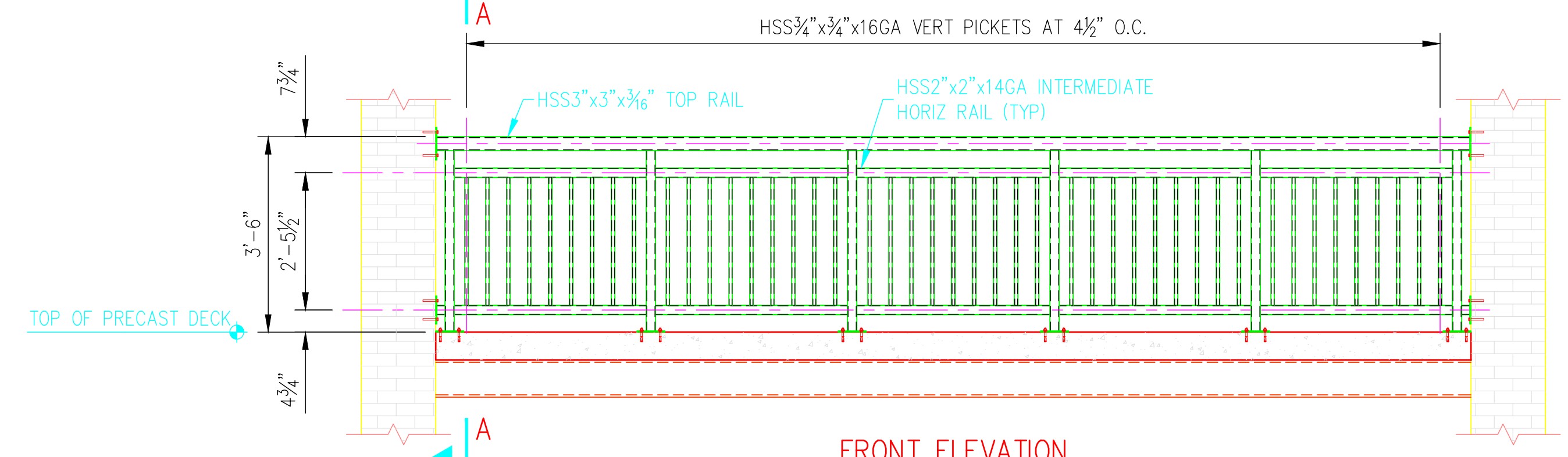
**C**  
RAILING POST BASEPLATE



**A-A**

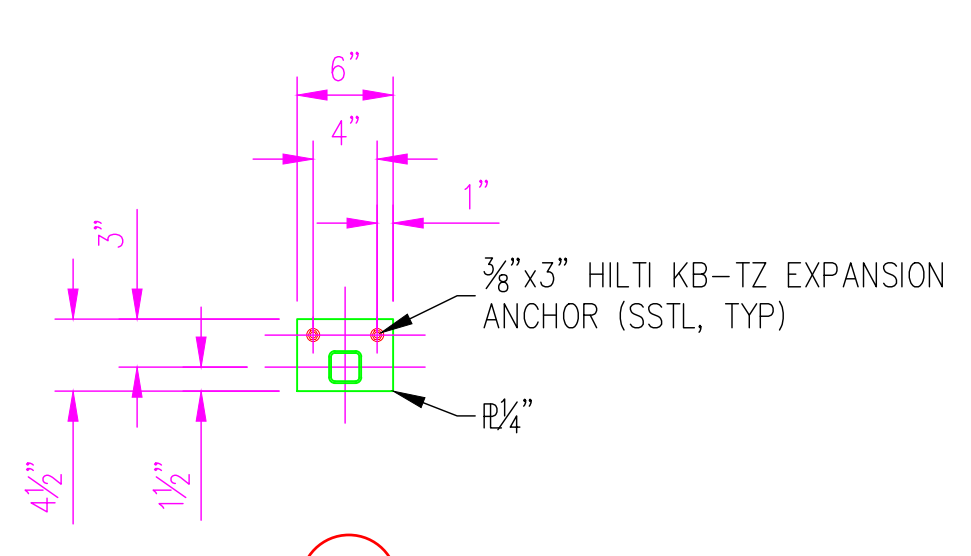


**PLAN**

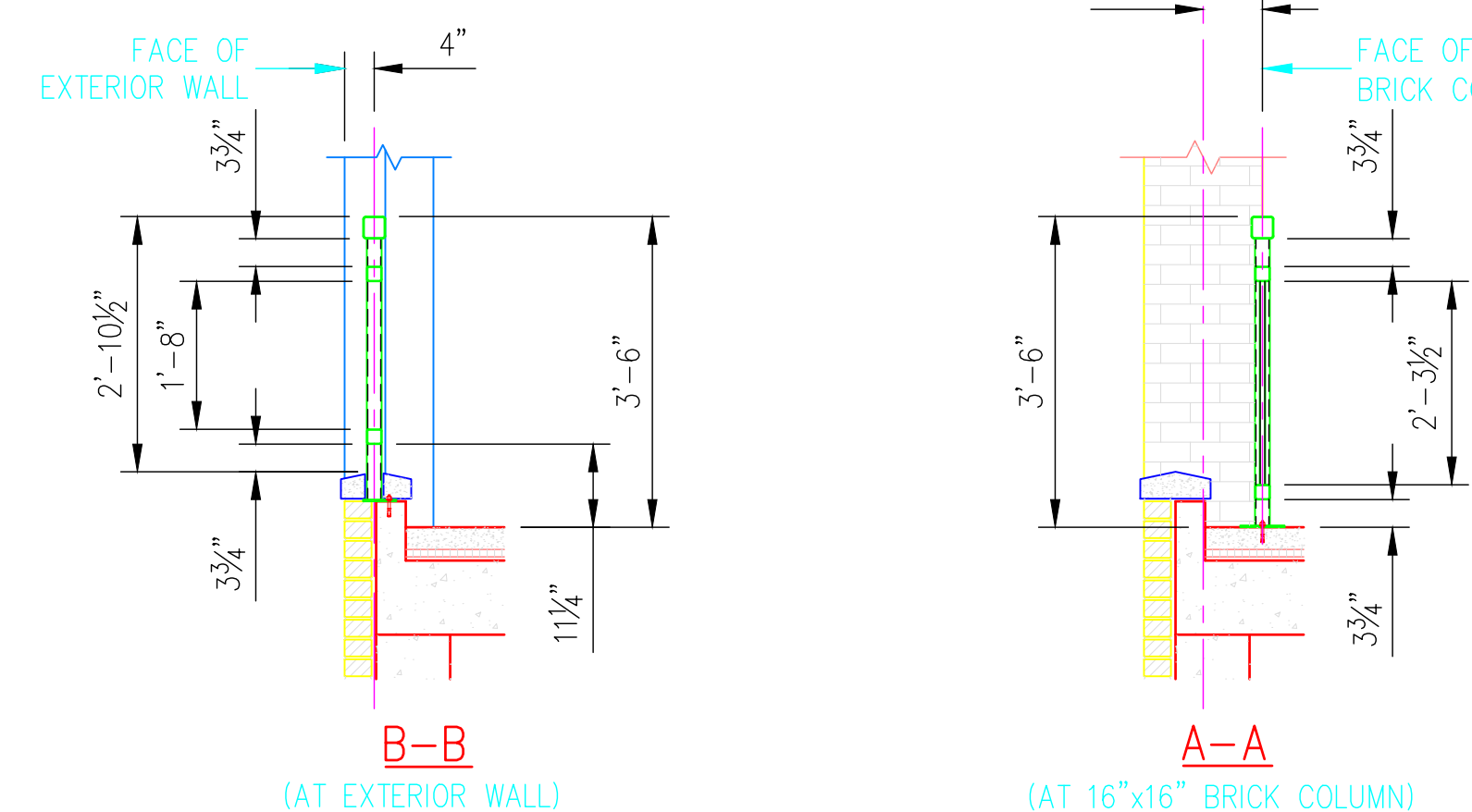


**FRONT ELEVATION**

**BR-T3** **A** TYP BALCONY RAILINGS-AT PRECAST CONCRETE DECK  
SCALE: 1/2"=1'-0"



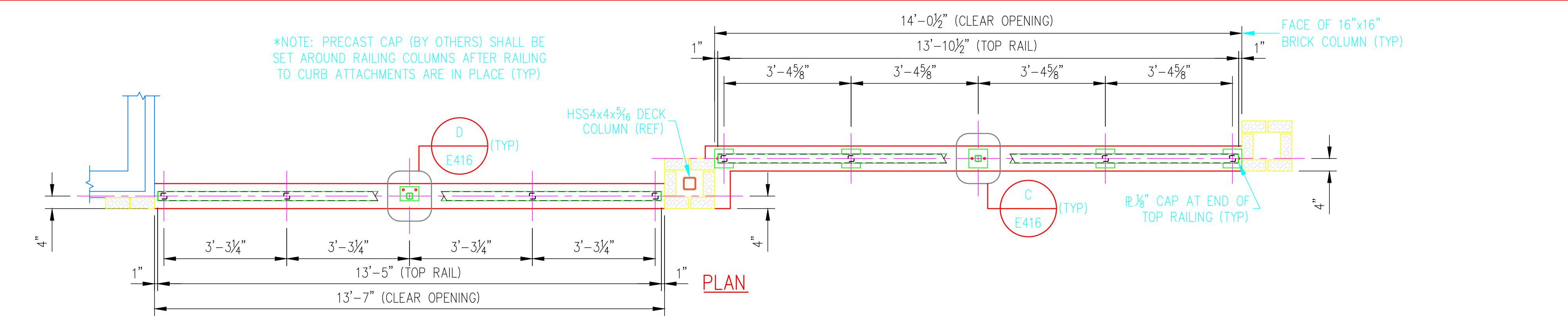
**D**  
RAILING POST BASEPLATE



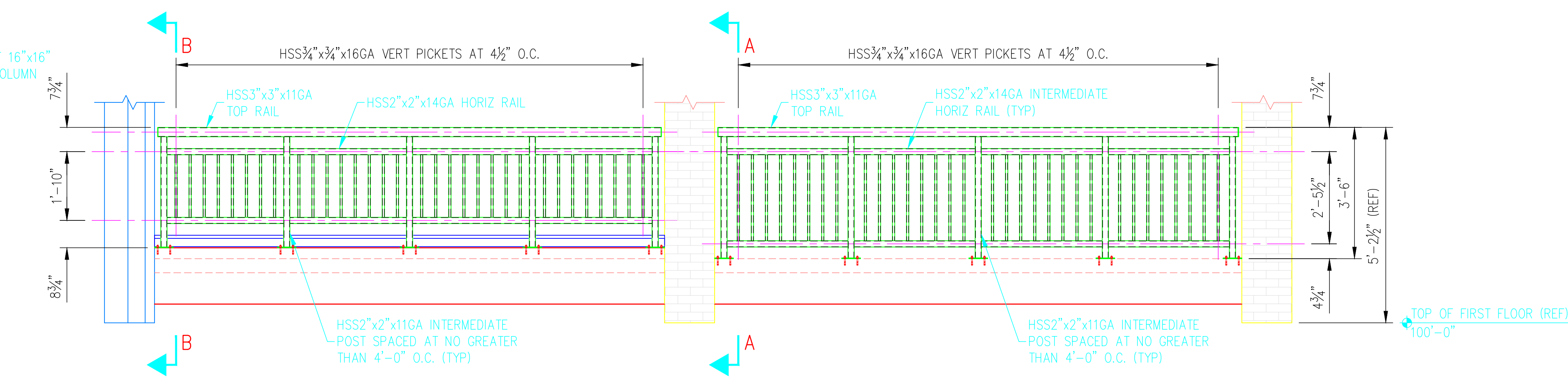
**B-B**  
(AT EXTERIOR WALL)

**A-A**  
(AT 16\"/>

\*NOTE: PRECAST CAP (BY OTHERS) SHALL BE SET AROUND RAILING COLUMN AFTER RAILING TO CURB ATTACHMENT IS IN PLACE (TYP)



**PLAN**



**FRONT ELEVATION**

\*NOTE: FIELD VERIFY ALL DIMENSIONS FOR THESE RAILINGS PRIOR TO FABRICATION AND INSTALLATION

**BR-T4** **B** TYP PARTIAL HEIGHT RAILINGS-AT PRECAST CONCRETE CAP  
SCALE: 1/2"=1'-0"

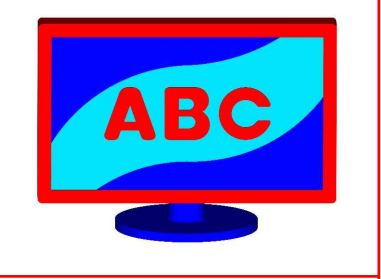
**GENERAL NOTES**

1. THIS DRAWING IS INTENDED TO BE A GENERAL ARRANGEMENT OF THE VARIOUS EXTERIOR BALCONY RAILING PLAN LENGTHS, WIDTHS, HEIGHTS, CONFIGURATIONS AND WALL CONNECTIONS. THE DIMENSIONS SHOWN FOR THE BALCONY RAILINGS ARE REPRESENTATIVE AND ARE ONLY SHOWN FOR THE REVIEW PURPOSES FOR A TYPICAL BALCONY RAILING INSTALLATION. THE ACTUAL DIMENSIONS FOR EACH SPECIFIC BALCONY RAILING LENGTH AND WIDTH, THE RAILING CONFIGURATION AND THE WALL CONNECTIONS REQUIRED WILL VARY FROM BALCONY TO BALCONY DEPENDING ON THE ACTUAL FLOOR LEVEL, THE CLEAR OPENING DIMENSIONS AND THE TYPE OF EXTERIOR WALLS THAT ARE PRESENT AT EACH BALCONY LOCATION.
2. FIELD VERIFY ALL CLEAR OPENING DIMENSIONS AND EXTERIOR WALL TYPES PRIOR TO FABRICATION AND INSTALLATION OF ALL BALCONY RAILINGS.
3. ALL FIELD WELDED CONNECTIONS SHALL BE CONTINUOUS, GROUND SMOOTH FOR FLUSH TRANSITIONS & PRIMER COATED. PROTECT EXISTING FINISHES DURING CONSTRUCTION.

**MATERIAL, COATING & FABRICATION SPECIFICATIONS**

MATERIALS & FABRICATION	COATINGS
ROLLED W SHAPES: ASTM A992, 50 ksi	
ROLLED CHANNELS, ANGLES, PLATES, M SHAPES: ASTM A36, 36 ksi	
PIPES: ASTM A53, GR B, SCH 40, BLACK	
HSS TUBES: ASTM A500, GR B	
LAG BOLTS: TYPE 304 SSSL	
SLEEVE ANCHORS: TYPE 304 SSSL	
EXPANSION ANCHORS: TYPE 304 SSSL	
SURFACE PREP:	
WELDING: AWS D1.1, AWS A5.1 CLASS E70XX-LOW HYDROGEN ELECTRODES	

DATE:	
REV:	
REVISION DESCRIPTION:	



ANDY'S BEST CAD  
1323 CARLYLE PARK CIRCLE  
HIGHLANDS RANCH, CO 80129  
303-808-3352  
WWW.ANDYSBESTCAD.COM

ABC  
DRAWN: ABC  
DESIGNED: ABC  
CLIENT: ABC  
DATE: 12/06/21  
SCALE: 1/2"=1'-0"

LUXURY CONDOMINIUMS  
DENVER, COLORADO  
STAIRCASE, DECK, EXT RAILING  
ARCH METALS SHOP DRAWINGS

TYPICAL BALCONY  
RAILINGS AT PRECAST DECK  
& PARTIAL HEIGHT RAILINGS

DRAWING NO.:  
**E416**  
OF