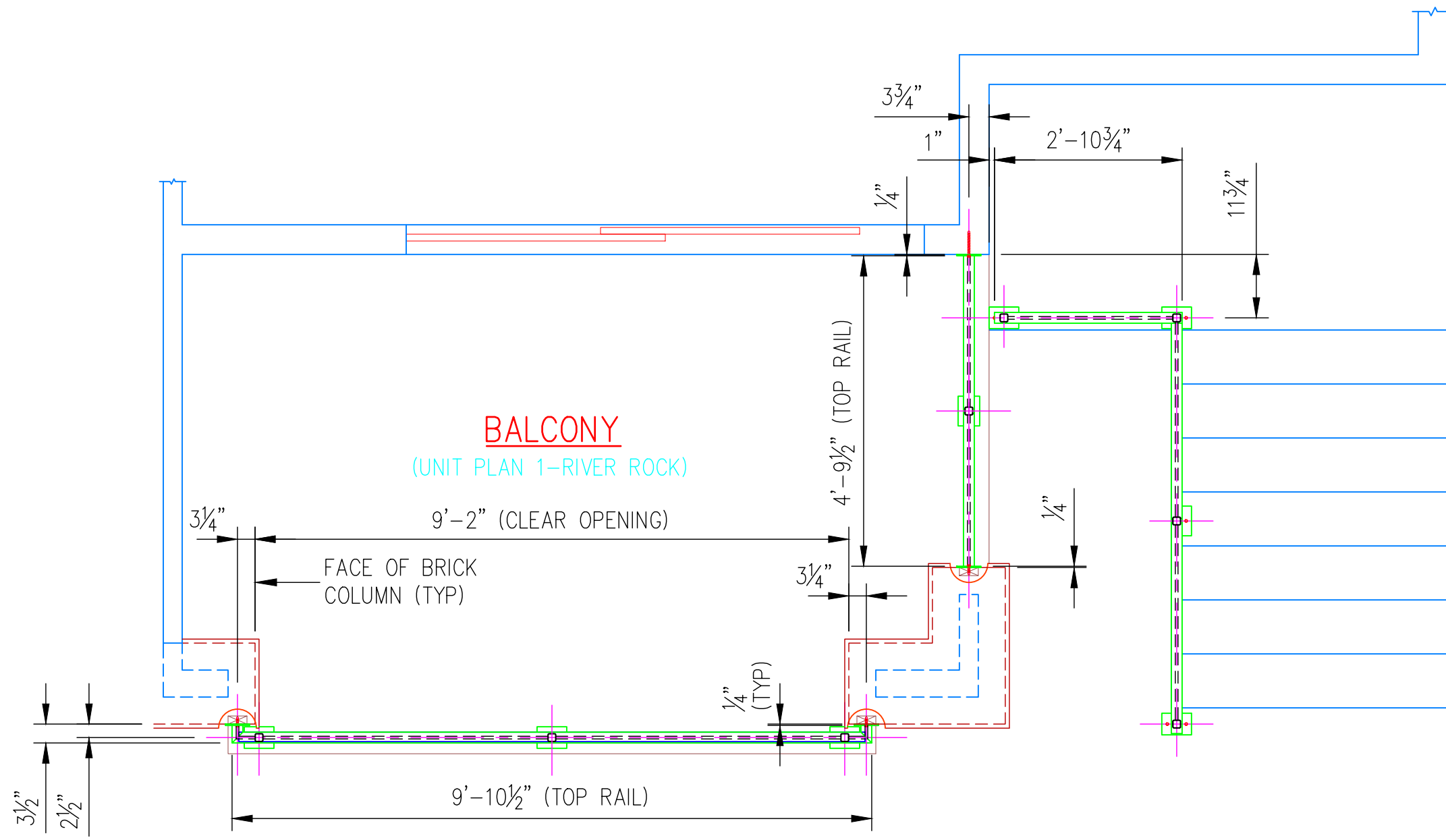
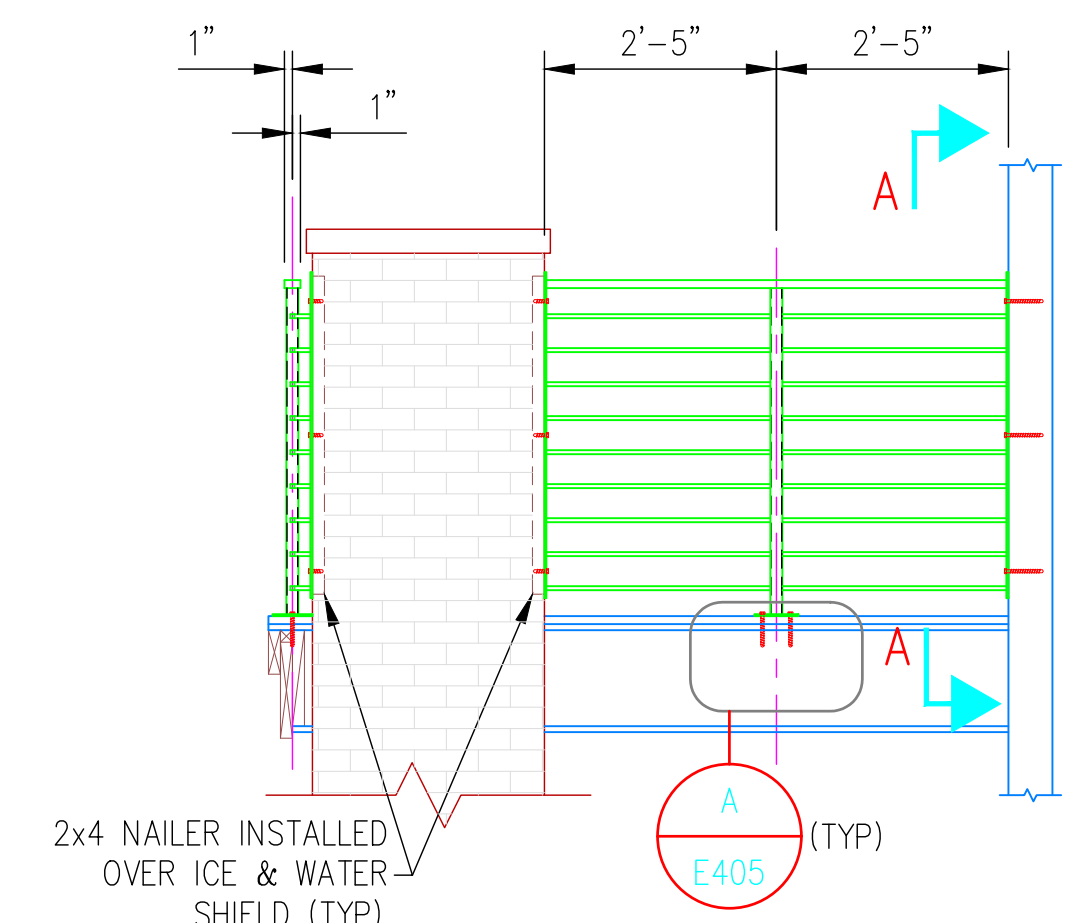


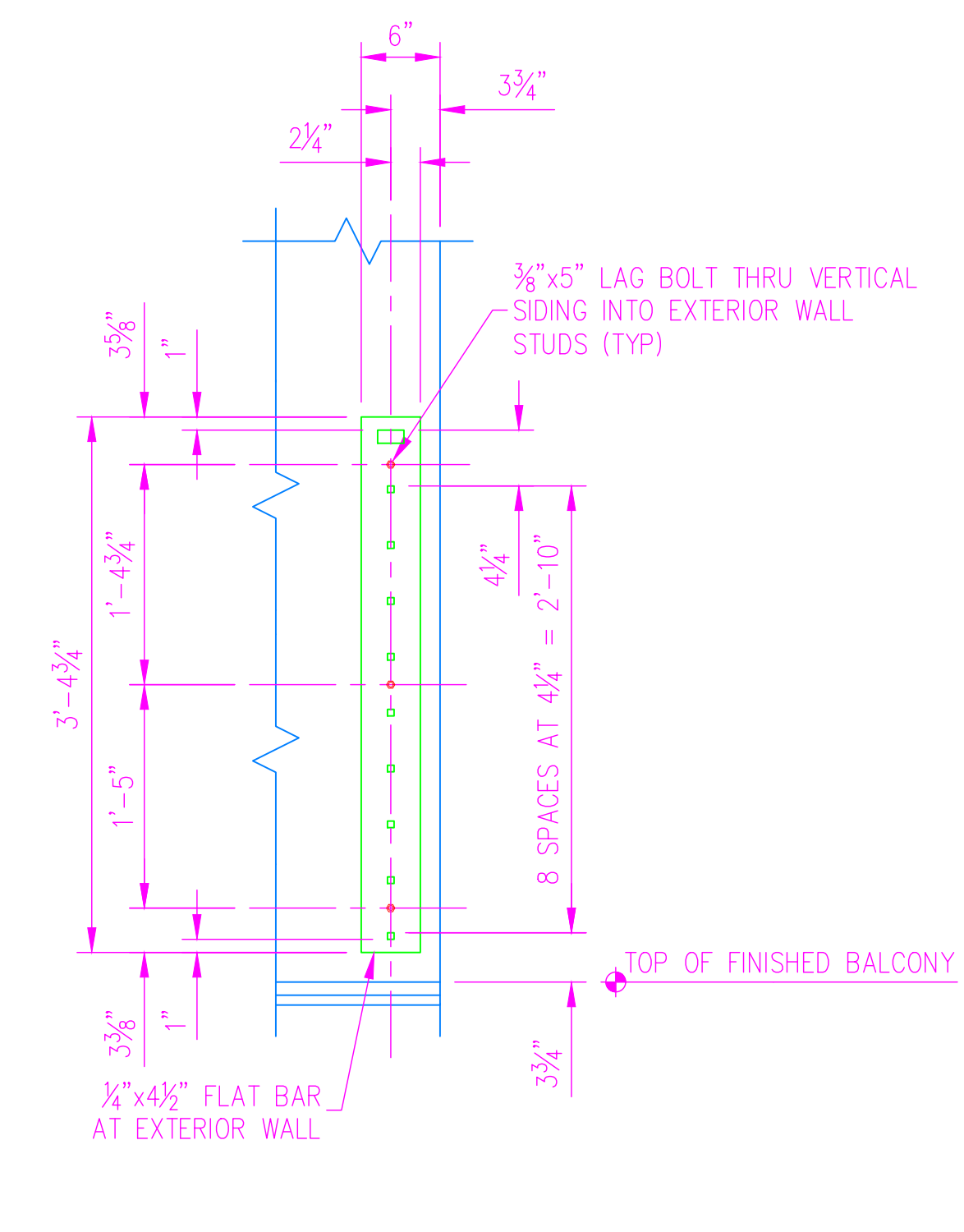
©2021 ANDY'S BEST CAD. ALL RIGHTS RESERVED. THIS DRAWING IS THE PROPERTY OF ANDY'S BEST CAD AND IS PROTECTED BY COPYRIGHT LAWS OF THE UNITED STATES OF AMERICA. ANY UNAUTHORIZED USE OF THE INFORMATION CONTAINED HEREIN OR PART THEREOF IS STRICTLY PROHIBITED. RECEIPT OR POSSESSION THEREOF DOES NOT CONFER OR TRANSFER ANY RIGHT TO MAKE, COPY, MANUFACTURE AND/OR SELL EITHER THE DRAWING OR THE ITEMS SHOWN THEREIN.



**PLAN**



**RIGHT ELEVATION**



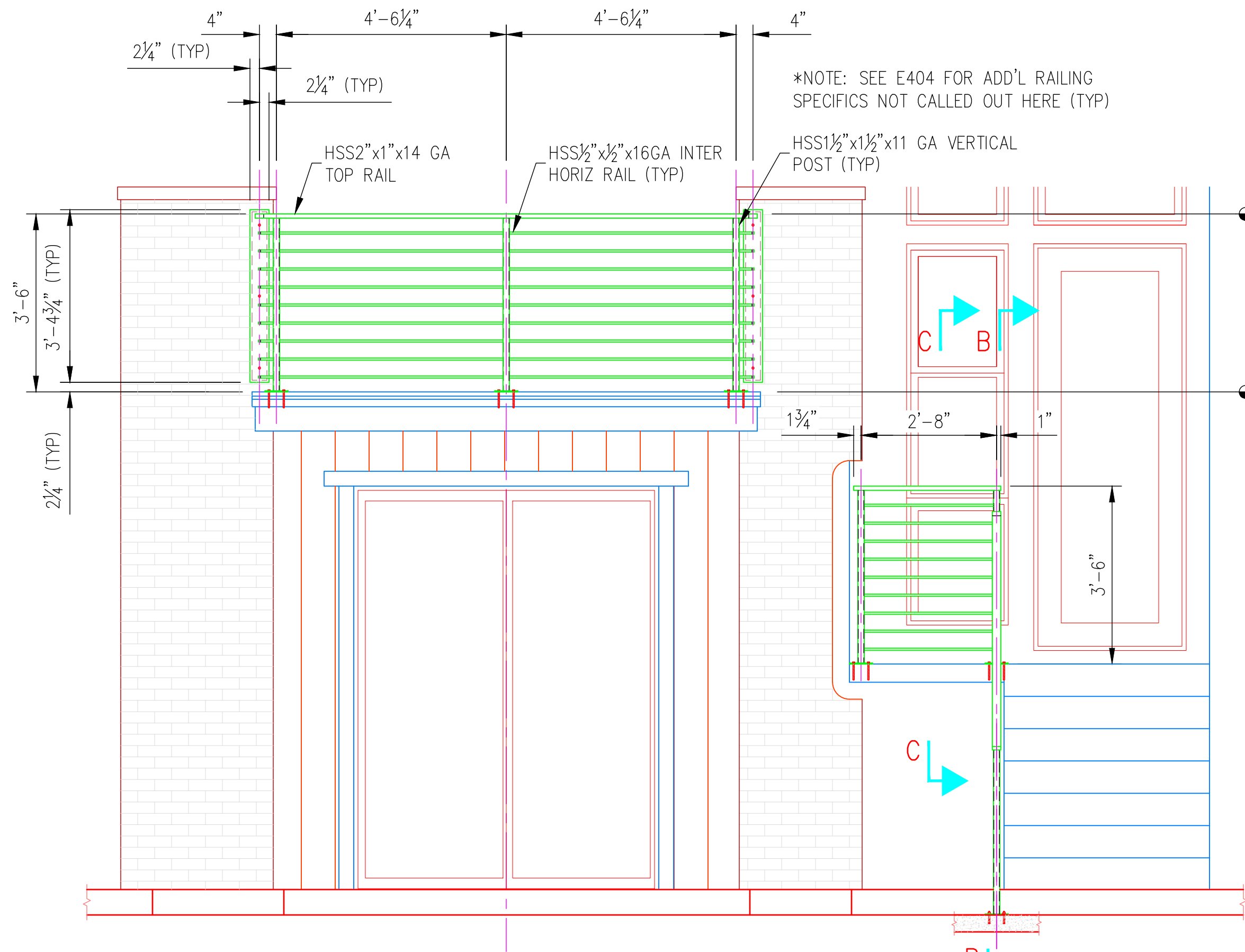
**A-A**

- GENERAL NOTES**
- THIS DRAWING IS INTENDED TO BE A GENERAL ARRANGEMENT OF THE BALCONY, EXTERIOR PORCH AND EXTERIOR STAIR GUARDRAIL LENGTHS, WIDTHS, HEIGHTS, CONFIGURATIONS AND WALL CONNECTIONS. THE DIMENSIONS SHOWN FOR THE EXTERIOR GUARDRAILS ARE REPRESENTATIVE AND ARE ONLY SHOWN FOR THE REVIEW PURPOSES FOR A TYPICAL EXTERIOR GUARDRAIL INSTALLATION. THE ACTUAL DIMENSIONS FOR EACH SPECIFIC EXTERIOR GUARDRAIL LENGTH AND WIDTH, THE CONFIGURATION AND THE WALL AND VERTICAL POST CONNECTIONS REQUIRED WILL VARY DEPENDING ON THE ACTUAL FLOOR LEVEL, THE TYPE OF EXTERIOR WALLS AND THE FLOOR TYPE AT EACH EXTERIOR GUARDRAIL LOCATION.
  - FIELD VERIFY ALL DIMENSIONS, EXTERIOR WALL AND FLOOR TYPES PRIOR TO FABRICATION AND INSTALLATION OF ALL EXTERIOR GUARDRAILS.
  - ALL FIELD WELDED CONNECTIONS SHALL BE CONTINUOUS, GROUND SMOOTH FOR FLUSH TRANSITIONS & PRIMER COATED. PROTECT EXISTING FINISHES DURING CONSTRUCTION.

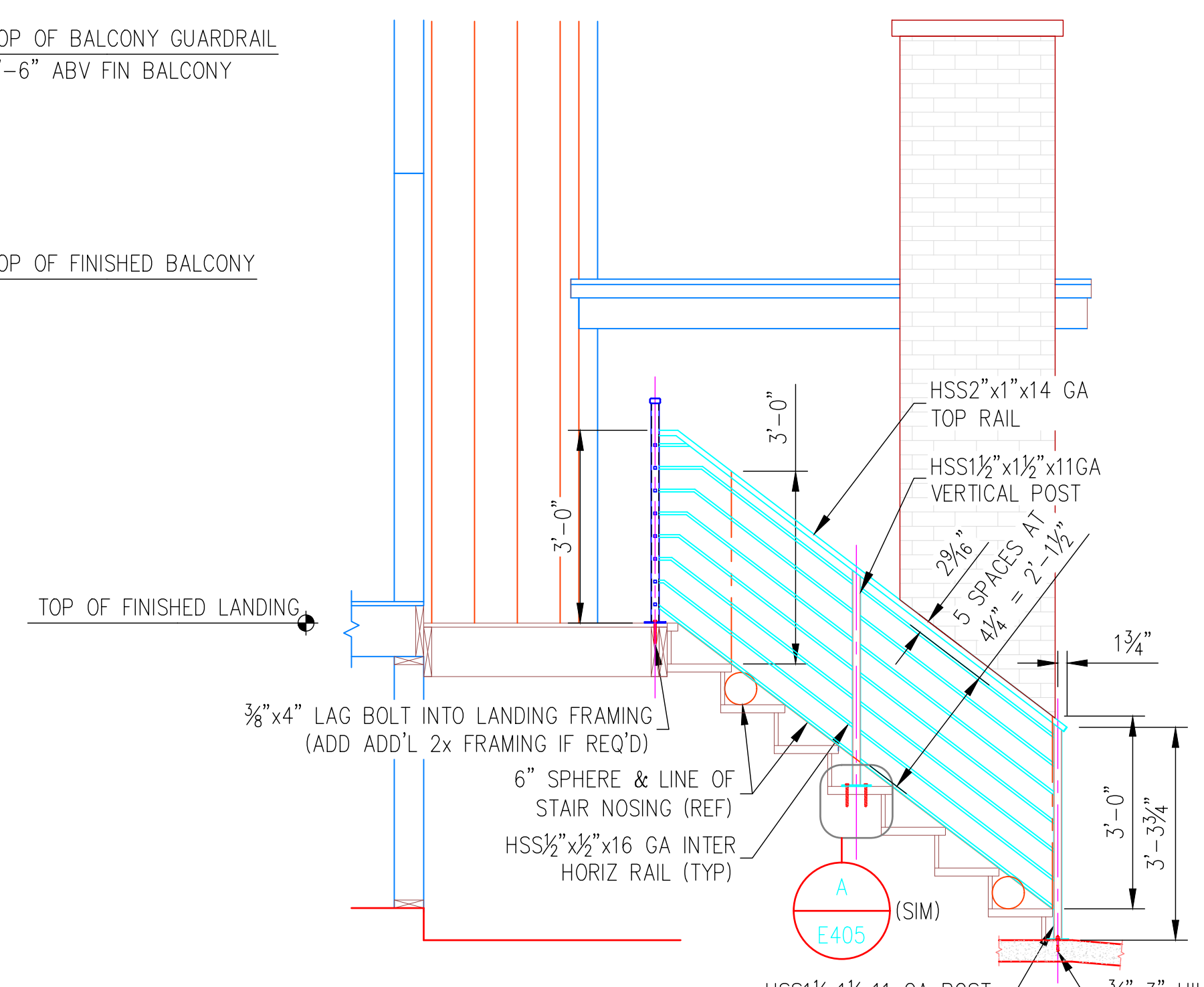
**MATERIAL, COATING & FABRICATION SPECIFICATIONS**

MATERIALS & FABRICATION	COATINGS
ROLLED W SHAPES: ASTM A992, 50 ksi	
ROLLED CHANNELS, ANGLES, PLATES, M SHAPES: ASTM A36, 36 ksi	
PIPES: ASTM A53, GR B, SCH 40, BLACK	
HSS TUBES: ASTM A500, GR B OR A513	
LAG BOLTS: TYPE 304 SSSL	
SLEEVE ANCHORS: TYPE 304 SSSL	
EXPANSION ANCHORS: TYPE 304 SSSL	
SURFACE PREP:	
WELDING: AWS D1.1, AWS A5.1 CLASS E70XX-LOW HYDROGEN ELECTRODES	

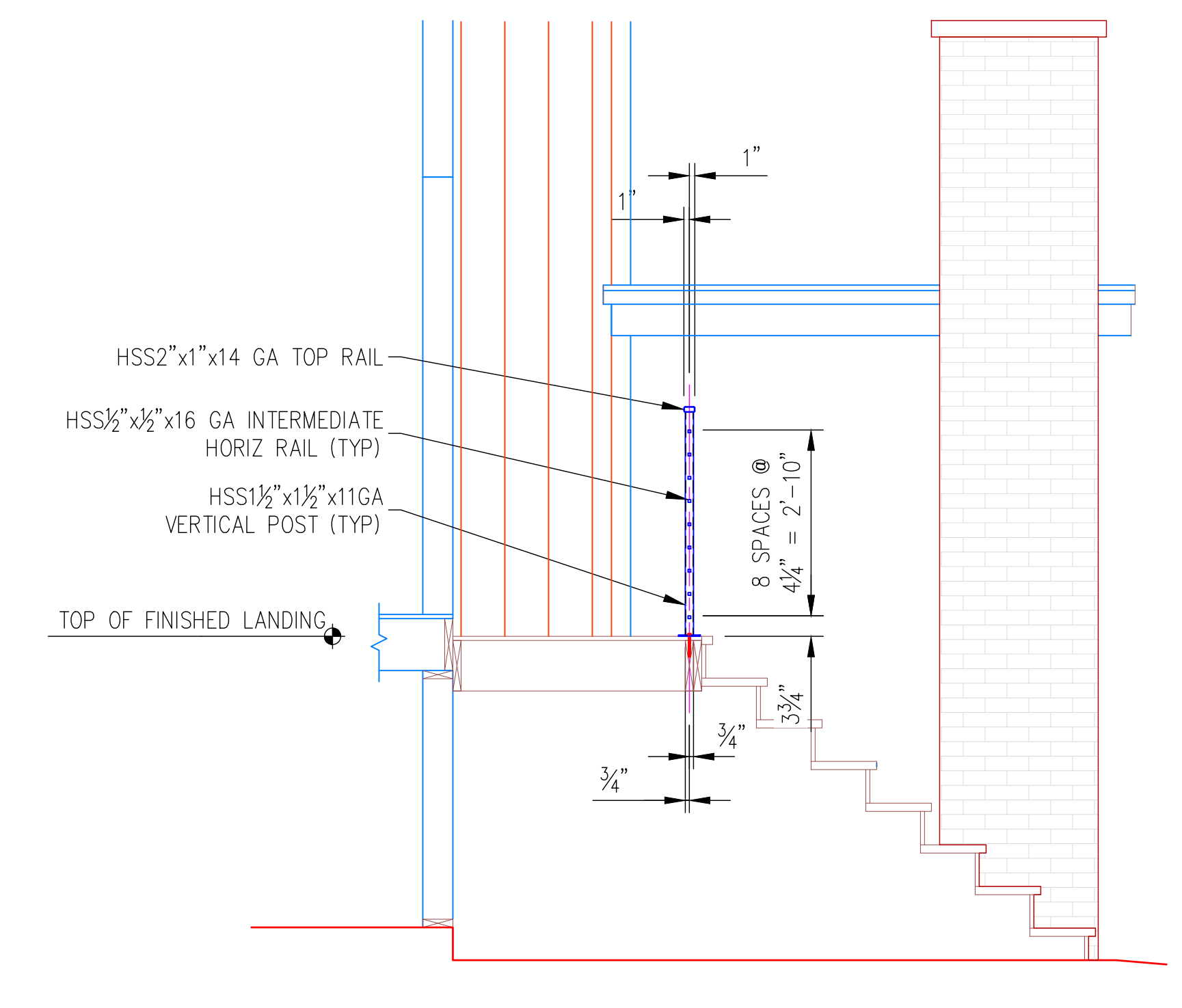
**A BALCONY GUARDRAILS-UNIT PLAN 1**  
SCALE: 1/2"=1'-0"



**FRONT ELEVATION**  
(BGR-A)



**B-B**

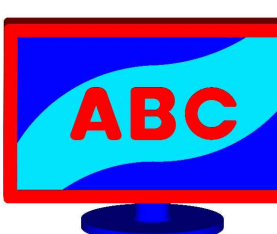


**C-C**

- B EXTERIOR PORCH GUARDRAIL-UNIT PLAN 1**  
SCALE: 1/2"=1'-0"
- C EXTERIOR STAIR GUARDRAIL-UNIT PLAN 1**  
SCALE: 1/2"=1'-0"

DATE: \_\_\_\_\_

REVISION DESCRIPTION: \_\_\_\_\_



ANDY'S BEST CAD  
1323 CARLYLE PARK CIRCLE  
HIGHLANDS RANCH, CO 80129  
303-808-3352  
WWW.ANDYSBESTCAD.COM

DRAWN: ABC  
DESIGNED: ABC  
CLIENT: ABC  
DATE: 12/06/21  
SCALE: 1/2"=1'-0"

PROJECT: LUXURY TOWNHOMES  
LITTLETON, COLORADO  
ARCHITECTURAL METALS  
SHOP DRAWINGS

DRAWING TITLE: BALCONY, EXTERIOR PORCH & EXTERIOR STAIR GUARDRAILS  
UNIT PLAN 1

DRAWING NO.: S404  
OF \_\_\_\_\_