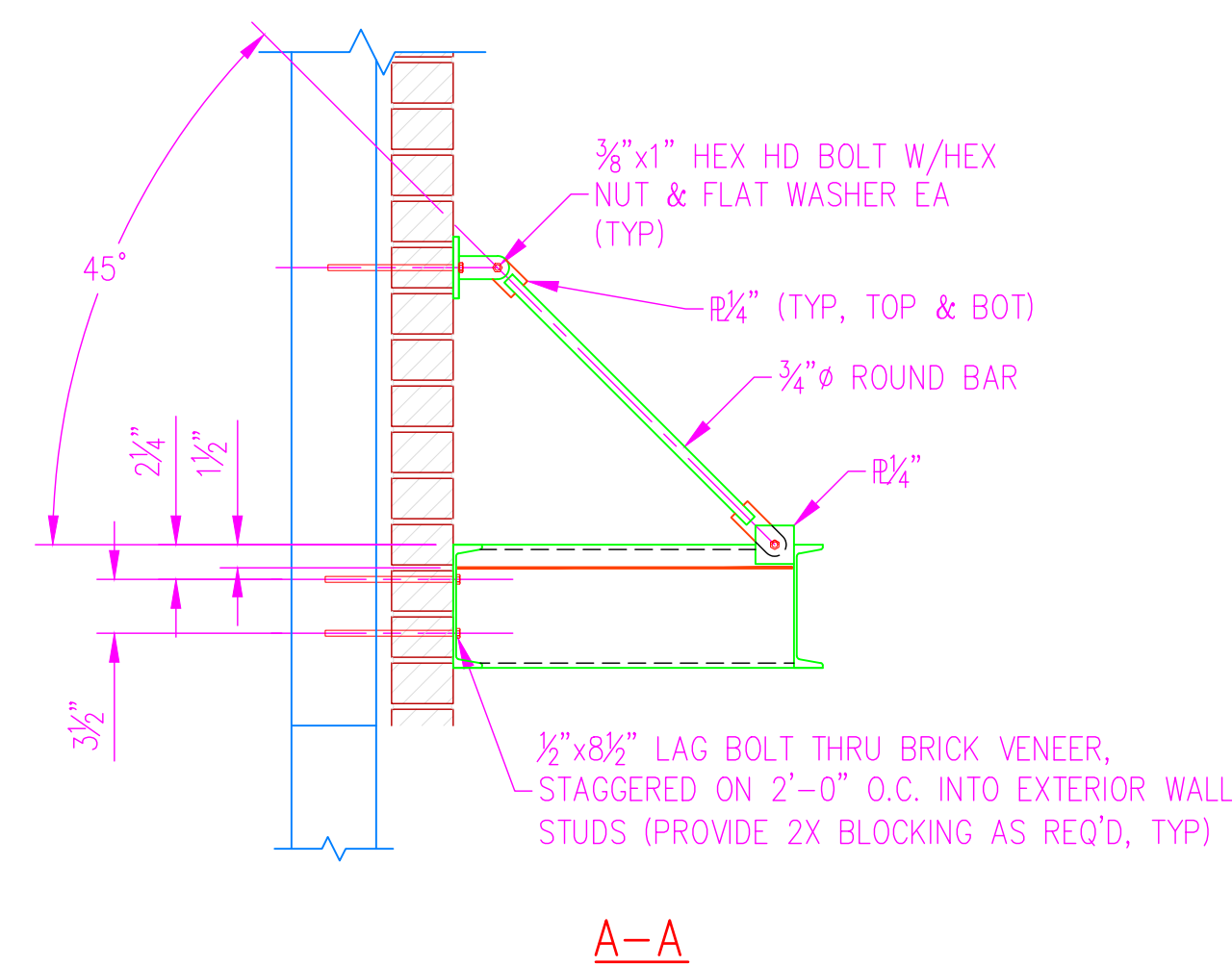
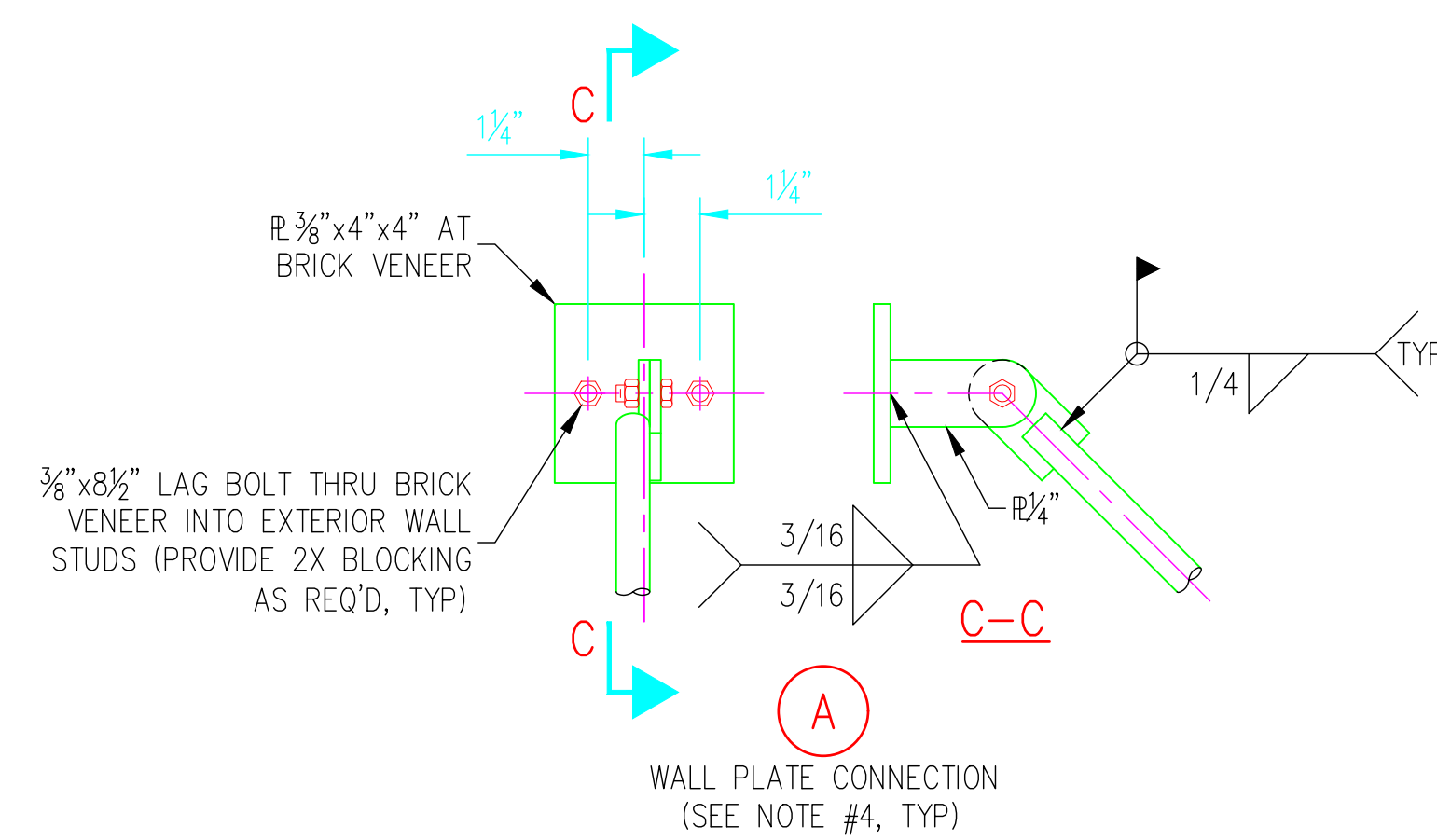
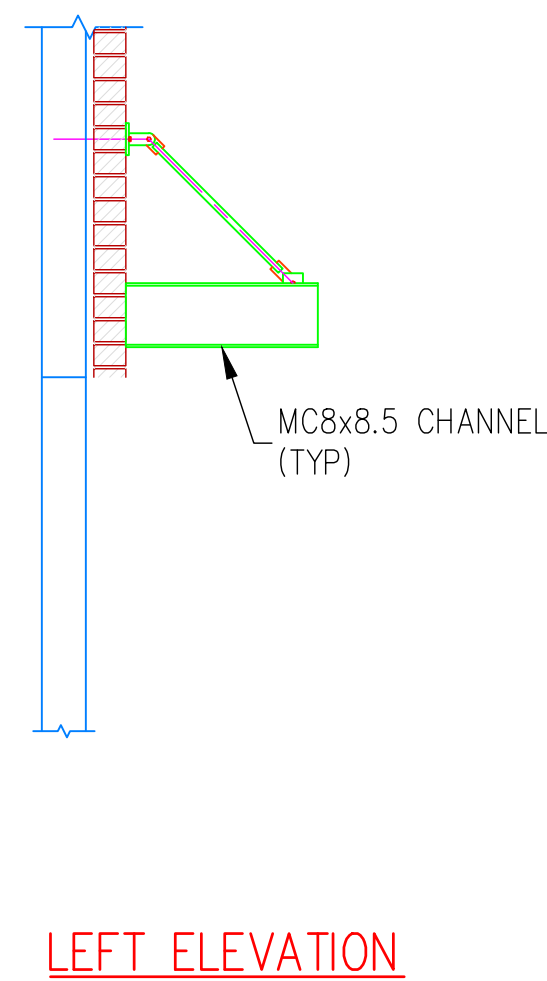
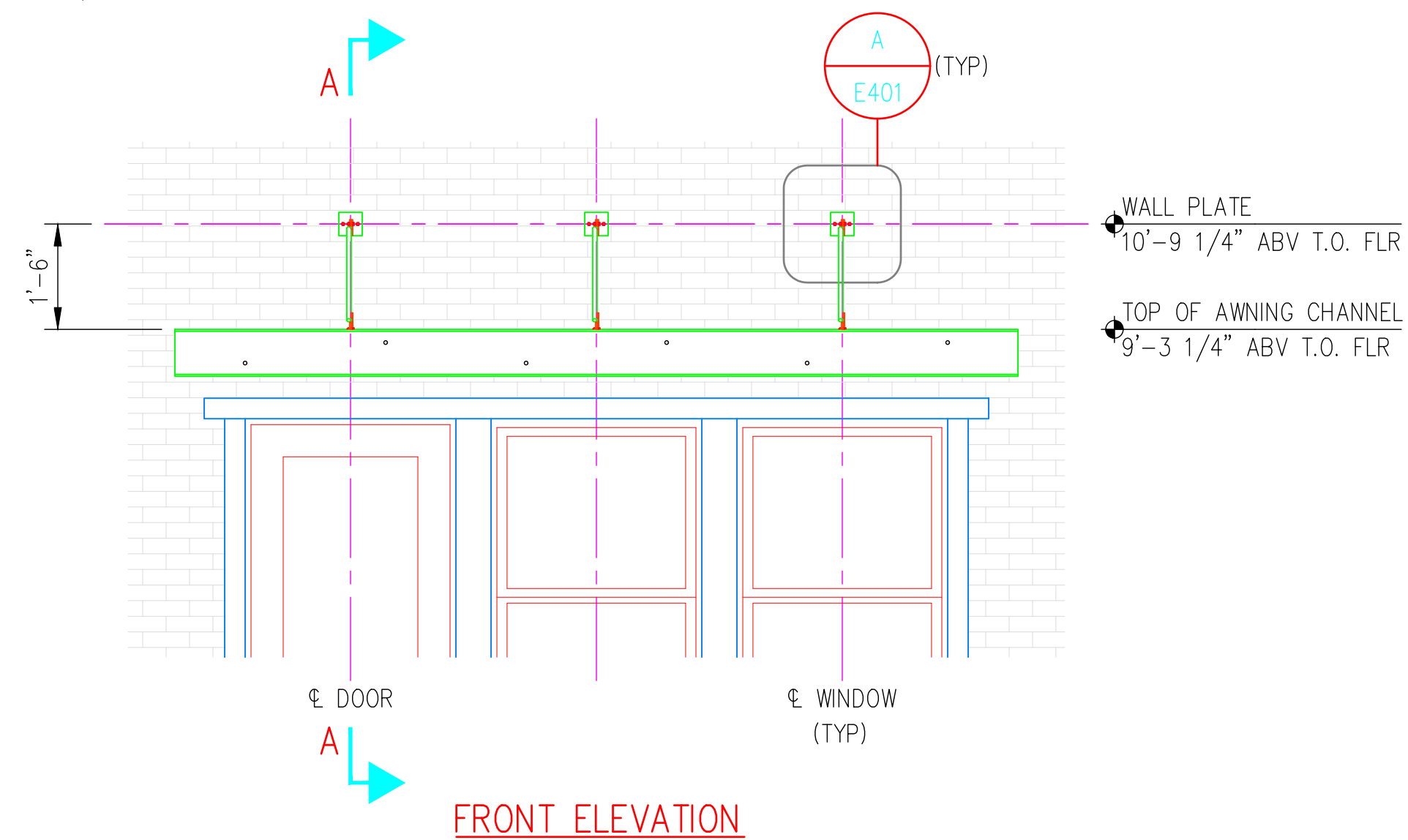
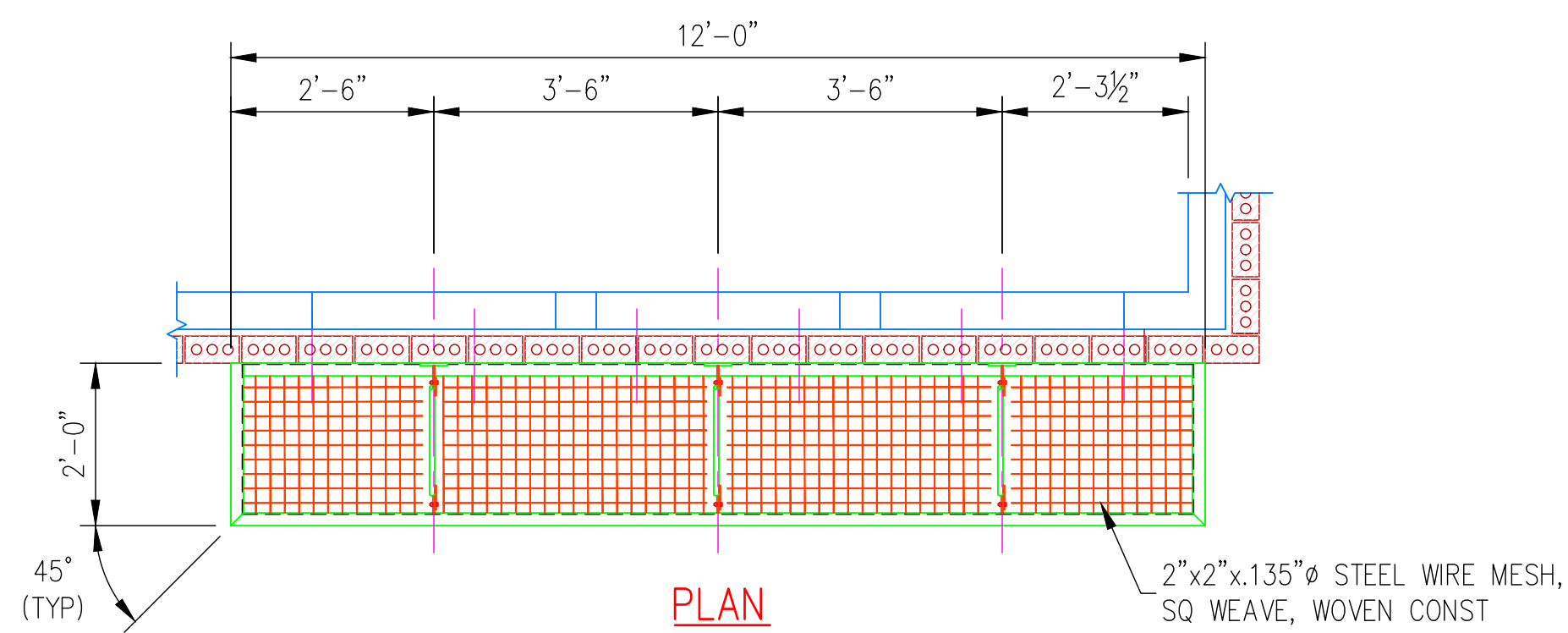


©2021 ANDY'S BEST CAD. ALL RIGHTS RESERVED. THIS DRAWING IS THE PROPERTY OF ANDY'S BEST CAD AND IS PROTECTED BY COPYRIGHT LAWS OF THE UNITED STATES OF AMERICA. ANY UNAUTHORIZED USE OF THE INFORMATION CONTAINED HEREIN OR REPRODUCTION THEREOF DOES NOT CONFER OR TRANSFER ANY RIGHT TO MAKE, COPY, MANUFACTURE AND/OR SELL EITHER THE DRAWING OR THE ITEMS SHOWN THEREIN.



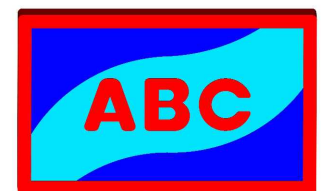
**C** AWNING—FRONT DOOR  
SCALE: 1/2"=1'-0"

GENERAL NOTES

1. THIS DRAWING IS INTENDED TO BE A GENERAL ARRANGEMENT OF THE VARIOUS EXTERIOR WINDOW AND DOOR AWNING LENGTHS, WIDTHS, HEIGHTS, CONFIGURATIONS AND WALL CONNECTIONS. THE DIMENSIONS SHOWN FOR THE AWNINGS ARE REPRESENTATIVE AND ARE ONLY SHOWN FOR THE REVIEW PURPOSES FOR A TYPICAL AWNING INSTALLATION. THE ACTUAL DIMENSIONS FOR EACH SPECIFIC AWNING LENGTH AND WIDTH, THE CONFIGURATION AND THE WALL CONNECTIONS REQUIRED WILL VARY DEPENDING ON THE ACTUAL FLOOR LEVEL, THE SPECIFIC WINDOW SIZE OR DOOR THAT IS PRESENT AND THE TYPE OF EXTERIOR WALLS AT EACH AWNING LOCATION.
2. FIELD VERIFY ALL DIMENSIONS AND EXTERIOR WALL TYPES PRIOR TO FABRICATION AND INSTALLATION OF ALL WINDOW AND DOOR AWNINGS.
3. ALL FIELD WELDED CONNECTIONS SHALL BE CONTINUOUS, GROUND SMOOTH FOR FLUSH TRANSITIONS & PRIMER COATED. PROTECT EXISTING FINISHES DURING CONSTRUCTION.
4. UNLESS NOTED OTHERWISE, WALL PLATES FOR DIAGONAL BAR SUSPENDERS SHALL BE ALIGNED WITH VERTICAL CENTERLINES OF WINDOWS AND DOORS PRIOR TO FINAL INSTALLATION AND FIELD WELDING.

MATERIAL, COATING & FABRICATION SPECIFICATIONS

MATERIALS & FABRICATION	COATINGS
ROLLED W SHAPES: ASTM A992, 50 ksi	
ROLLED CHANNELS, ANGLES, PLATES, M SHAPES, BARS: ASTM A36, 36 ksi	
PIPES: ASTM A53, GR B, SCH 40, BLACK	
HSS TUBES: ASTM A500, GR B	
LAG BOLTS: TYPE 304 SSSL	
SLEEVE ANCHORS: TYPE 304 SSSL	
EXPANSION ANCHORS: TYPE 304 SSSL	
FASTENERS: TYPE 304 SSSL	
SURFACE PREP:	
WELDING: AWS D1.1, AWS A5.1 CLASS E70XX—LOW HYDROGEN ELECTRODES	



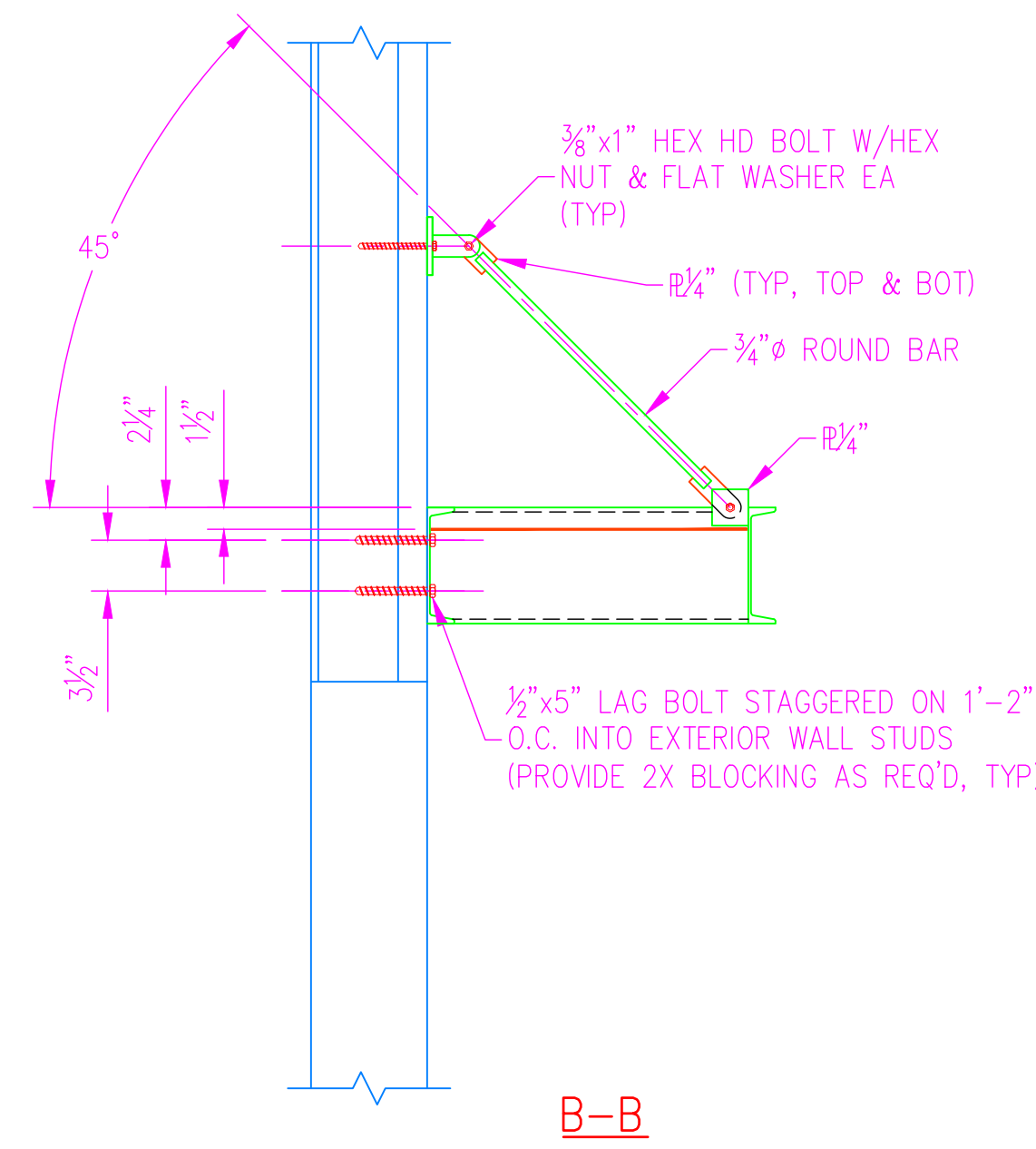
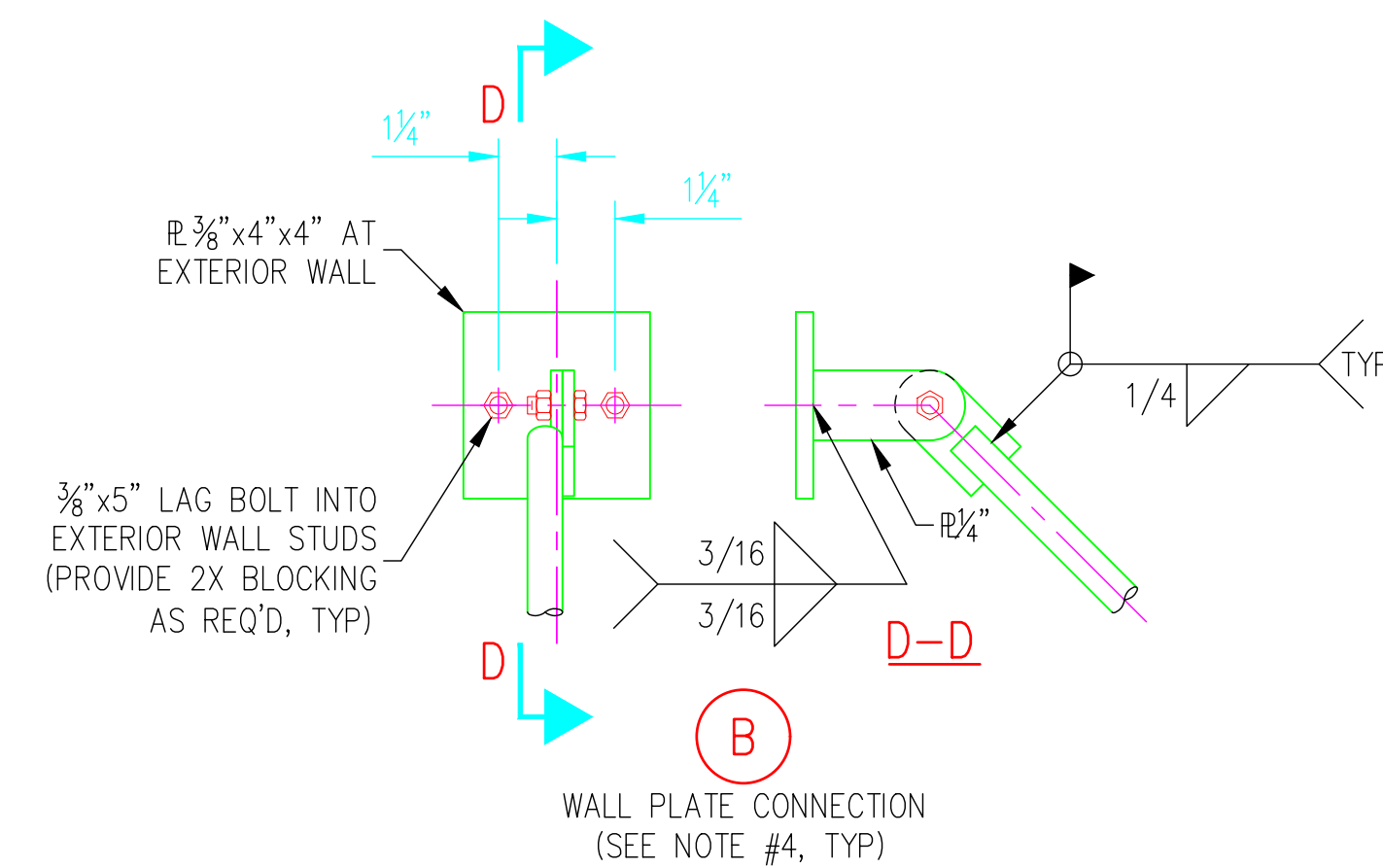
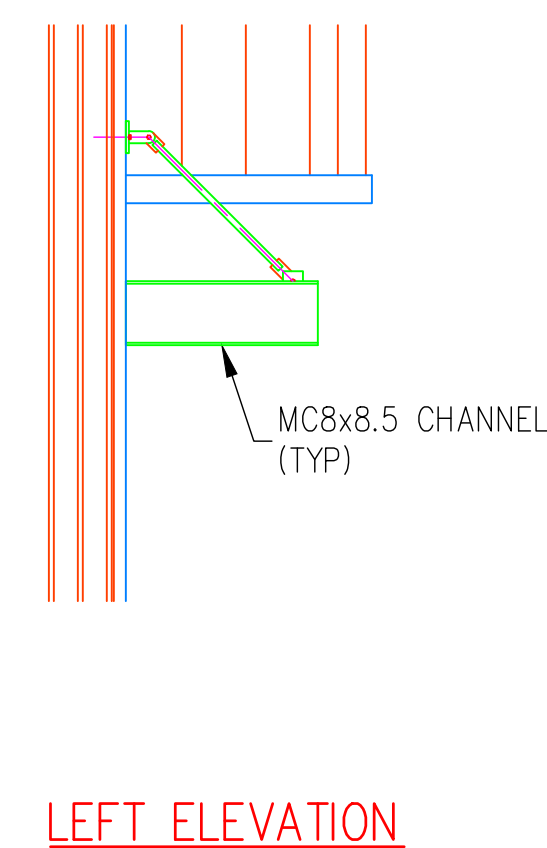
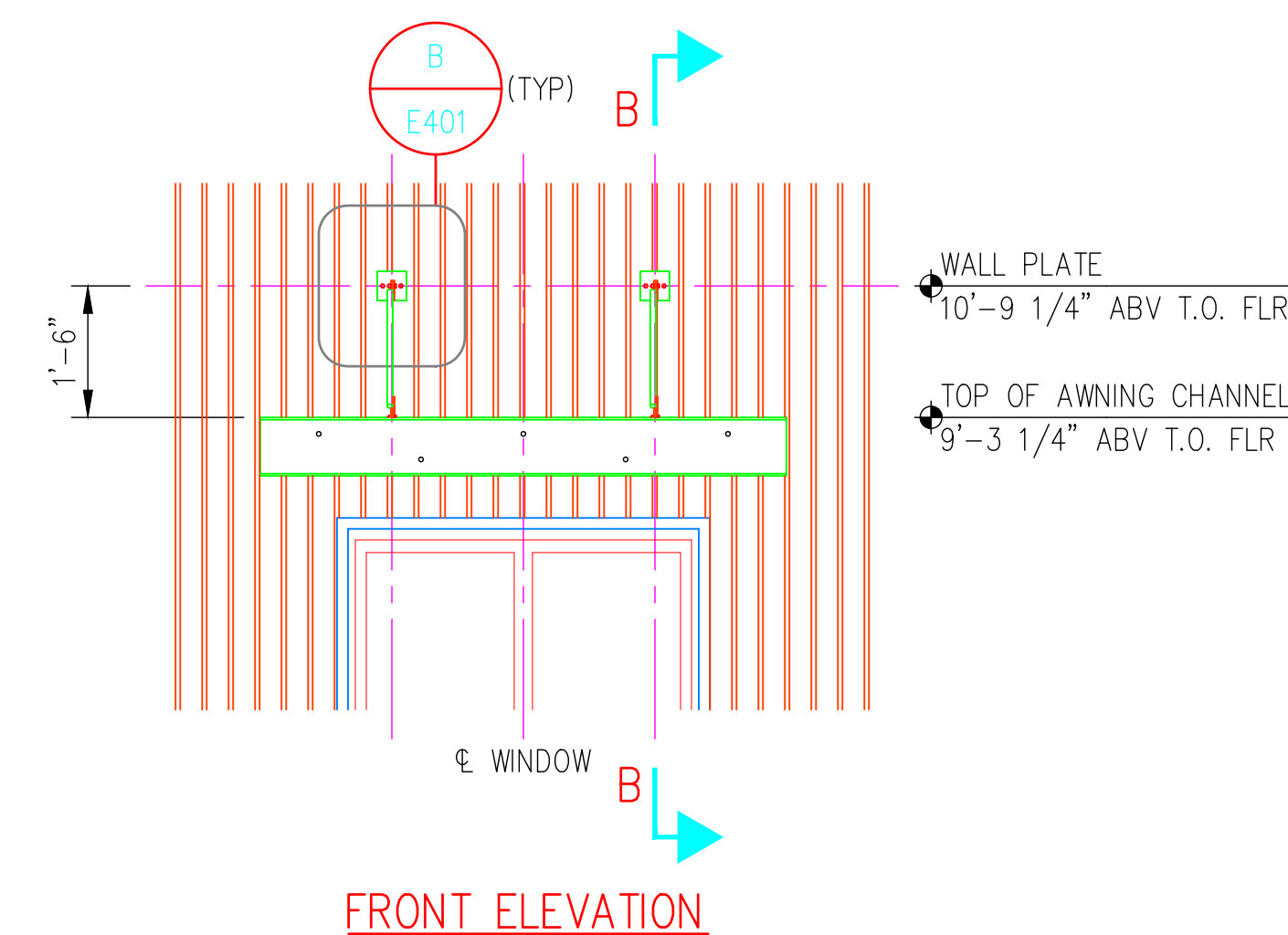
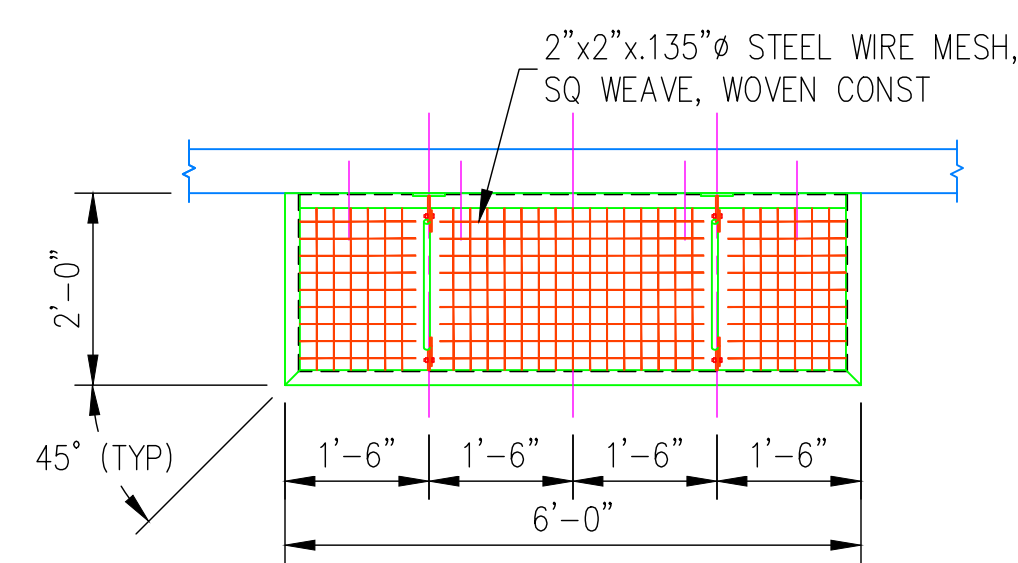
ANDY'S BEST CAD  
1323 CARLYLE PARK CIRCLE  
HIGHLANDS RANCH, CO 80129  
303-808-3352  
WWW.ANDYSBESTCAD.COM

ABC  
DRAWN: ABC  
DESIGNED: ABC  
CLIENT: ABC  
DATE: 12/06/21  
SCALE: 1/2"=1'-0"

LUXURY TOWNHOMES  
LITTLETON, COLORADO  
ARCHITECTURAL METALS  
SHOP DRAWINGS

TYPICAL AWNINGS  
FRONT DOOR &  
SMALL WINDOW

DRAWING NO.:  
S401  
OF



**D** AWNING—SMALL WINDOW  
SCALE: 1/2"=1'-0"