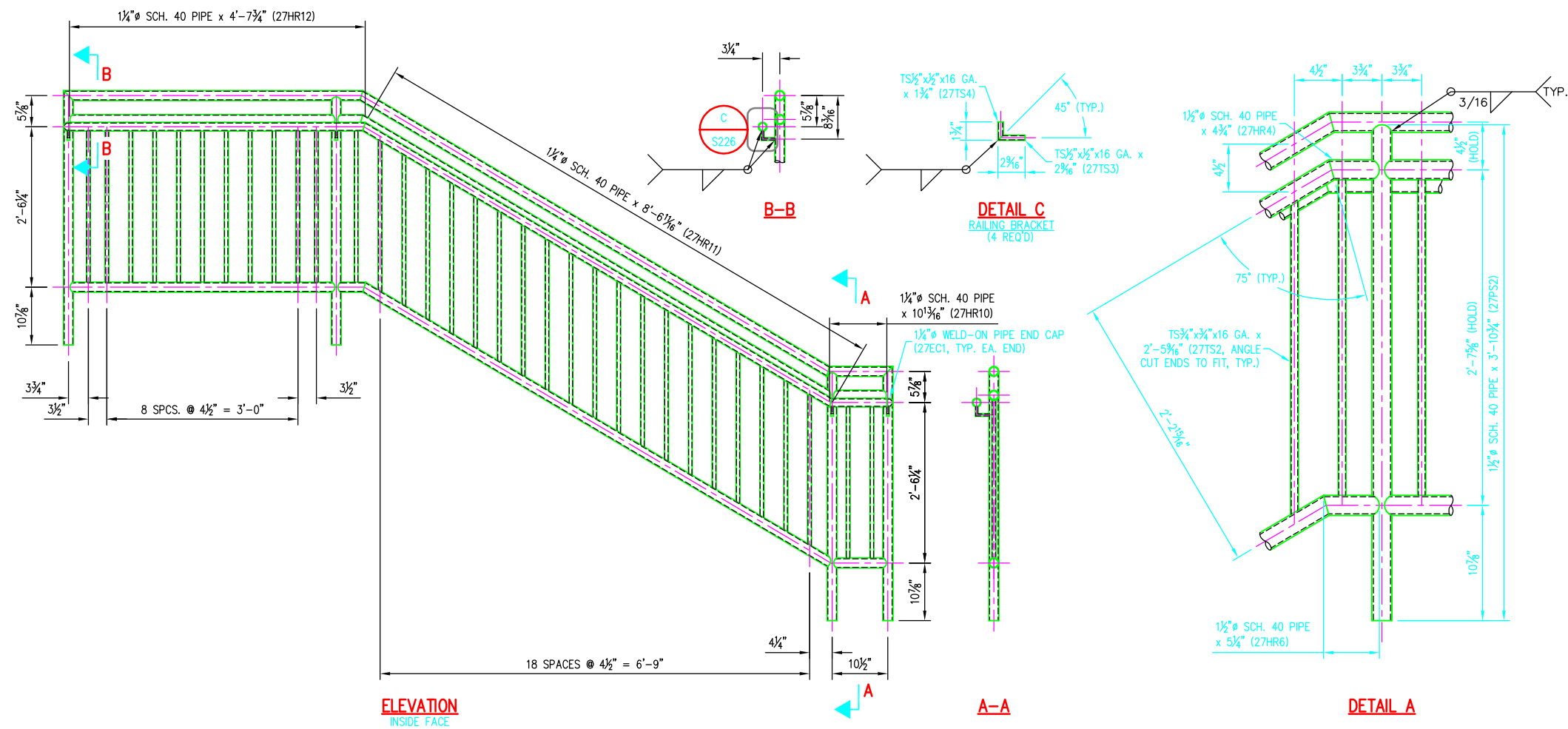


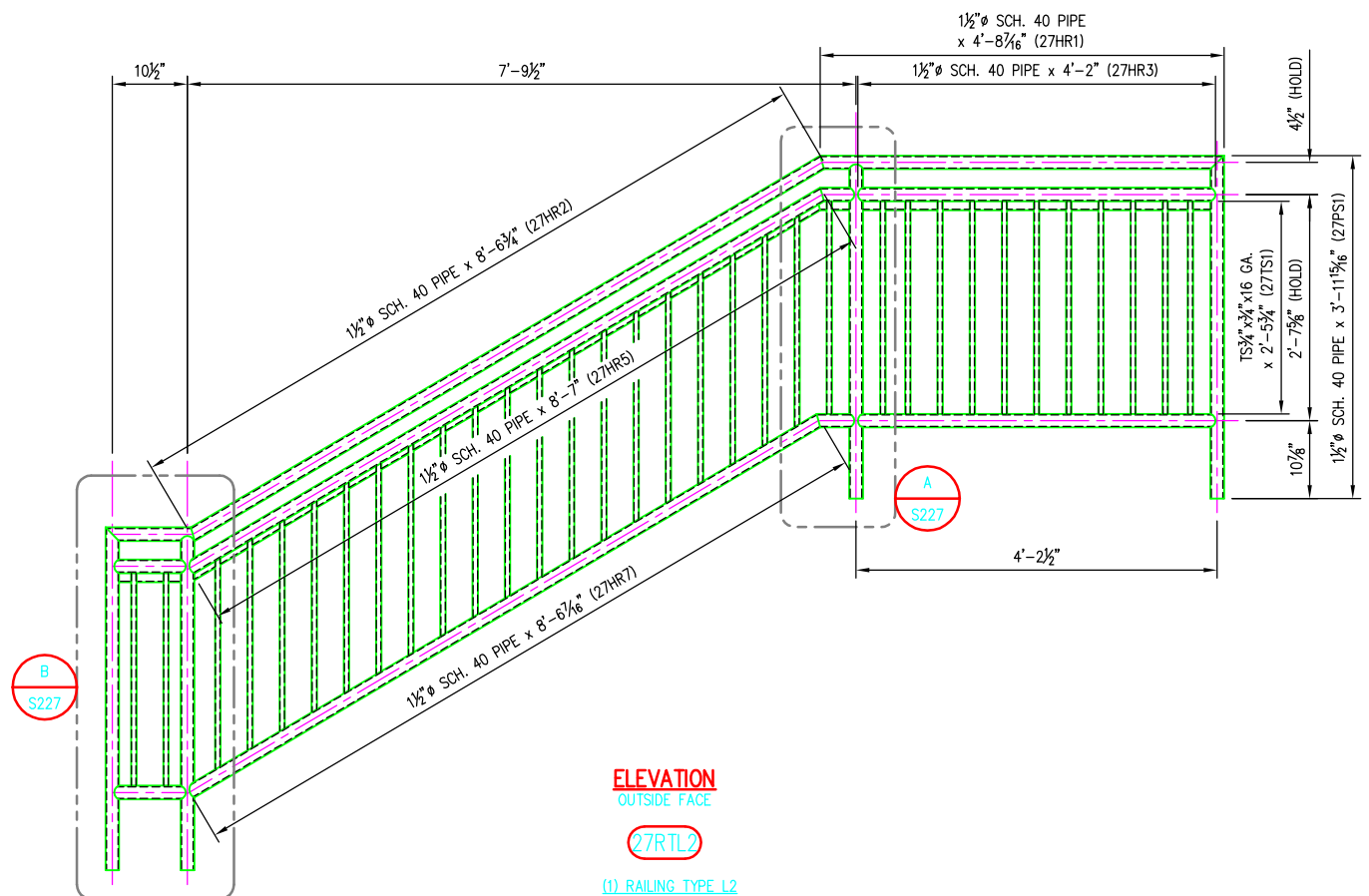
©2009 ANDY'S BEST CAD. ALL RIGHTS RESERVED. THIS DRAWING IS THE PROPERTY OF ANDY'S BEST CAD AND IS PROTECTED BY COPYRIGHT LAWS OF THE UNITED STATES OF AMERICA. ANY UNAUTHORIZED USE OF THE INFORMATION CONTAINED HEREIN OR PART THEREOF IS STRICTLY PROHIBITED. REPLY OR PERMISSION THEREOF DOES NOT CONVEY OR TRANSFER ANY RIGHT TO MAKE, COPY, MANUFACTURE AND/OR SELL EITHER THE DRAWING OR THE ITEMS SHOWN THEREIN.



**ELEVATION**  
INSIDE FACE

**A-A**

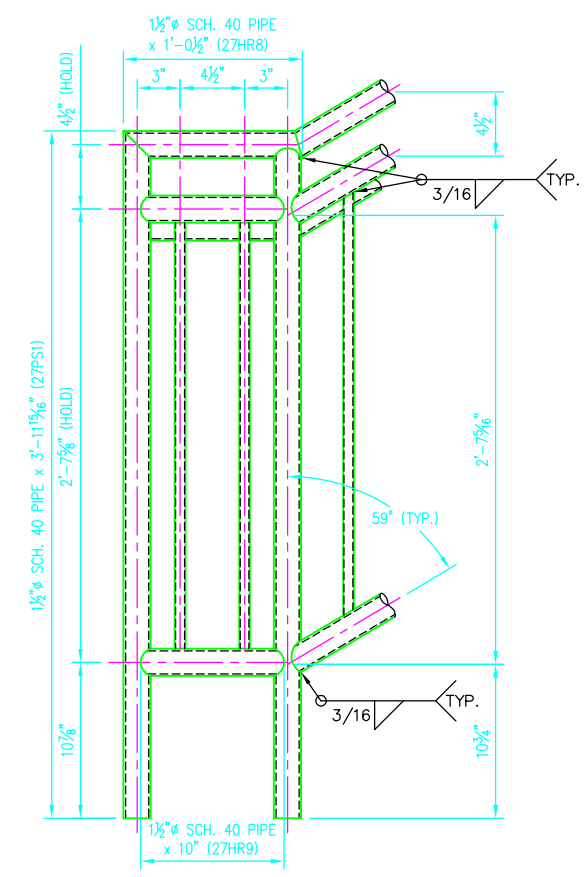
**DETAIL A**



**ELEVATION**  
OUTSIDE FACE

**27RTL2**

(1) RAILING TYPE L2  
RE: SHT. A1.02  
RE: SHT. A4.02, DETAIL 1 & SECT. 2  
RE: SHT. A3.41, DETAIL 11



**DETAIL B**

**BILL OF MATERIAL**

MARK	QTY	DESCRIPTION	FT	IN	REMARKS
27RTL2	1	RAILING TYPE L2			
27HR1	1	1 1/2" SCH. 40 PIPE	4	8 3/8"	
27HR2	1	1 1/2" SCH. 40 PIPE	8	7"	
27HR3	2	1 1/2" SCH. 40 PIPE	4	2 1/4"	
27HR4	1	1 1/2" SCH. 40 PIPE	0	5"	
27HR5	1	1 1/2" SCH. 40 PIPE	8	7 1/4"	
27HR6	1	1 1/2" SCH. 40 PIPE	0	5 1/2"	
27HR7	1	1 1/2" SCH. 40 PIPE	8	6 1/8"	
27HR8	1	1 1/2" SCH. 40 PIPE	1	0 3/4"	
27HR9	2	1 1/2" SCH. 40 PIPE	0	10 1/4"	
27HR10	1	1 1/2" SCH. 40 PIPE	0	11 1/8"	
27HR11	1	1 1/2" SCH. 40 PIPE	8	6 5/8"	
27HR12	1	1 1/2" SCH. 40 PIPE	4	8"	
27PS1	2	1 1/2" SCH. 40 PIPE	4	0 3/8"	
27PS2	2	1 1/2" SCH. 40 PIPE	3	11"	
27TS1	14	TS 3/4" x 1/2" x 16 GA.	2	6"	
27TS2	19	TS 3/4" x 1/2" x 16 GA.	2	5 1/8"	
27TS3	4	TS 1/2" x 1/2" x 16 GA.	0	2 1/8"	
27TS4	4	TS 1/2" x 1/2" x 16 GA.	0	1 1/8"	
27EC1	2	1 1/4" WELD-ON PIPE END CAP			

DATE:

REV:	REVISION DESCRIPTION:

ANDY'S BEST CAD  
9715 S. MERIBULA ST.  
LITTLETON, CO 80130  
303-791-1622  
WWW.ANDYSBESTCAD.COM

DRAWN: A.LANDT  
DESIGNED: A.LANDT  
CLIENT: 05/04/09  
DATE: 1"=1'-0"  
SCALE:

UNIVERSITY  
ATHLETIC STADIUM  
STRUCTURAL STEEL  
HANDRAILS AND RAILINGS

**FABRICATION NOTES**

1. REMOVE ALL BURRS FROM EXPOSED CUT EDGES.
2. EASE EXPOSED EDGES TO AN APPROXIMATE 1/32" RADIUS.

**MATERIAL, COATING & FABRICATION SPECIFICATIONS**

MATERIALS & FABRICATION	COATINGS
ALL TUBE SECTIONS: A500 GR. B	SURFACES EMBEDDED IN CONCRETE SHALL NOT BE PAINTED.
ALL PIPES: A53, GR. B, SCH. 40	SURFACES TO BE FIELD WELDED SHALL NOT BE PAINTED.
PLATES: A36	PRIMER: ONE COAT, MIN. 3.0 MILS DFT, OF TNE MEC, SERIES 90-97 TNE ME-ZINC, ZINC-RICH PRIMER.
WF, WT: A992	INTER. COAT: ONE COAT, MIN. 3.0 MILS DFT, OF TNE MEC, SERIES N69-1255.
OTHER SHAPES: A36	TOP COAT: ONE COAT, MIN. 3.0 MILS DFT, OF TNE MEC, SERIES 1077 ENDURALUME. TOP COAT SHALL BE DU STANDARD COLOR CRANBERRY.
HEADED ANCHOR STUDS: A108	
DEFORMED ANCHOR STUDS: A496	
ALL WELDING: AWS D1.1, E70 ELECTRODES	
SURFACE PREP: SSPC-SP10	

PROJECT: UNIVERSITY ATHLETIC STADIUM STRUCTURAL STEEL HANDRAILS AND RAILINGS

DRAWING TITLE: RAILING TYPE L2

DRAWING NO.: S227  
OF

