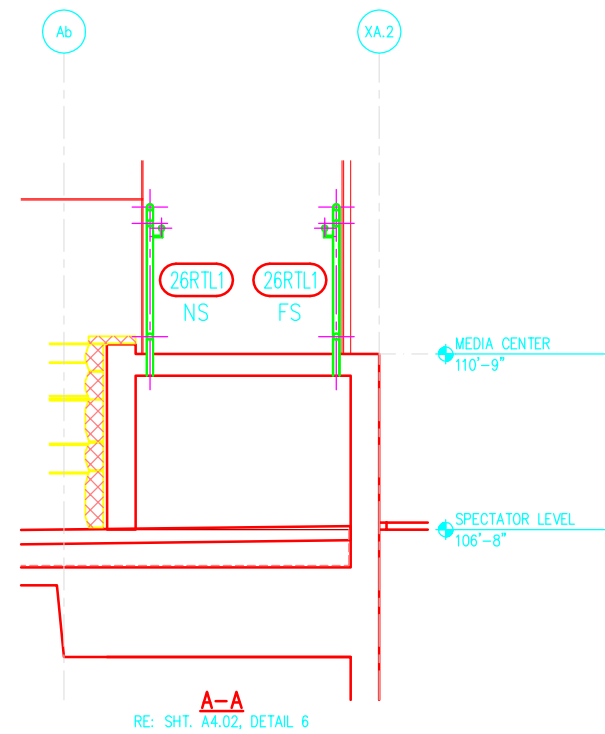
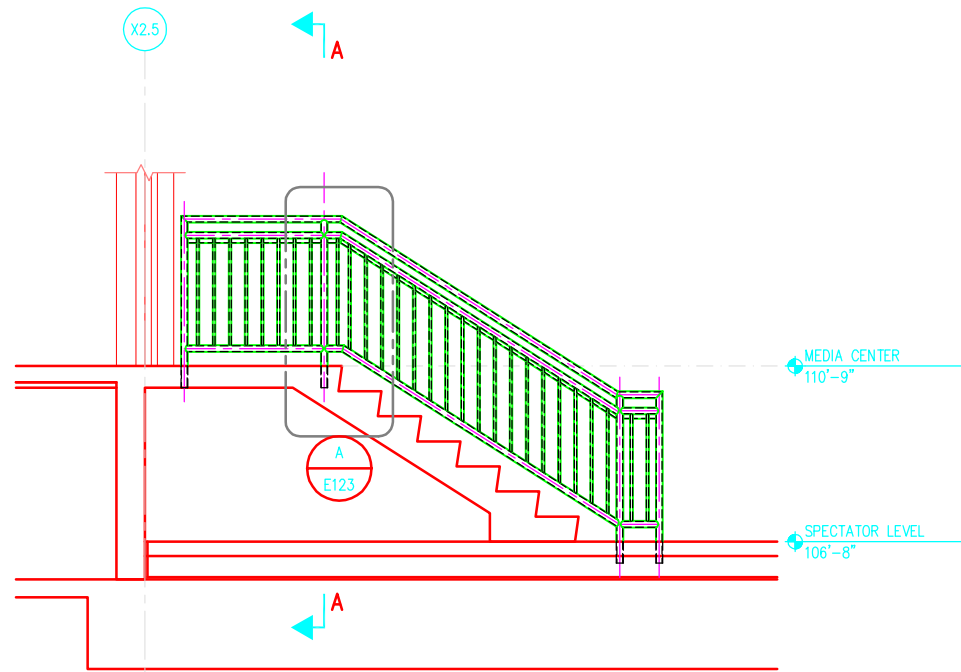
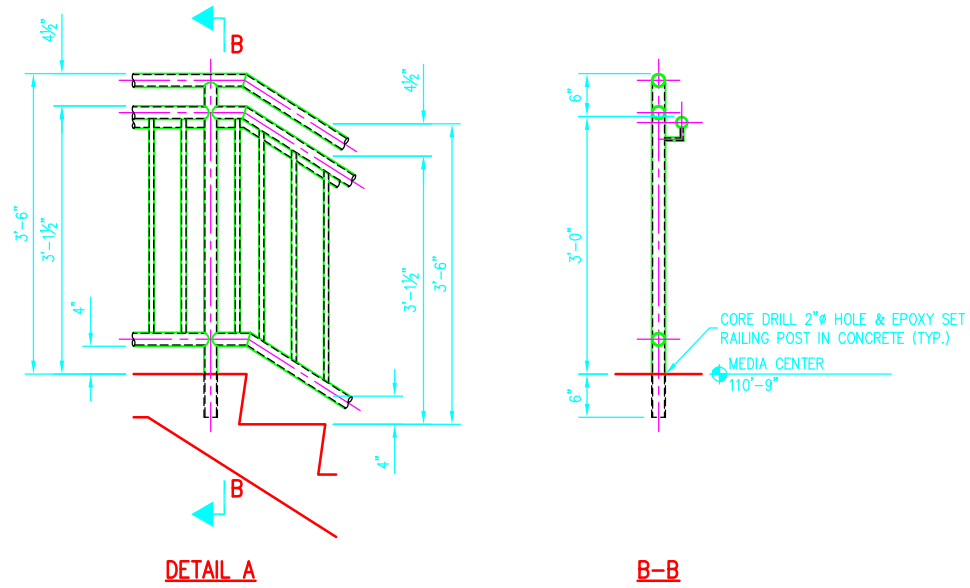
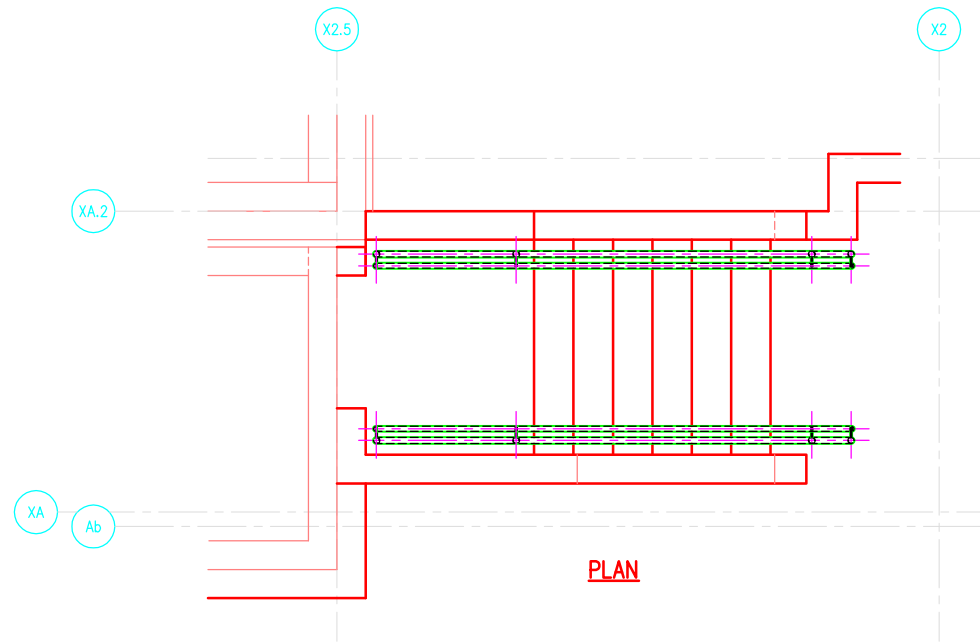


©2009 ANDY'S BEST CAD. ALL RIGHTS RESERVED. THIS DRAWING IS THE PROPERTY OF ANDY'S BEST CAD AND IS PROTECTED BY COPYRIGHT LAWS OF THE UNITED STATES OF AMERICA. ANY UNAUTHORIZED USE OF THE INFORMATION CONTAINED HEREIN OR PART THEREOF IS STRICTLY PROHIBITED. REPEAT OR POSSESSION THEREOF DOES NOT CONVEY OR TRANSFER ANY RIGHT TO MAKE, COPY, MANUFACTURE AND/OR SELL EITHER THE DRAWING OR THE ITEMS SHOWN THEREIN.



26RTL1

RE: SHT. A4.02, DETAIL 5
 RE: SHT. A3.41, DETAIL 11
 (NOTE: NEAR SIDE RAILING IS SHOWN;
 FAR SIDE RAILING IS OPPOSITE)

REV.	REVISION DESCRIPTION	DATE

ANDY'S BEST CAD
 9715 S. MERIMBULA ST.
 LITTLETON, CO 80130
 303-791-1622
 WWW.ANDYSBESTCAD.COM

DRAWN: A.LANDT
DESIGNED: A.LANDT
CLIENT: UNIVERSITY OF COLORADO
DATE: 05/04/09
SCALE: 1/2" = 1'-0"

PROJECT:
 UNIVERSITY
 ATHLETIC STADIUM
 STRUCTURAL STEEL
 HANDRAILS AND RAILINGS

DRAWING TITLE:
 TYPE L1
 RAILING ERECTION

DRAWING NO.:
 E123
 OF

