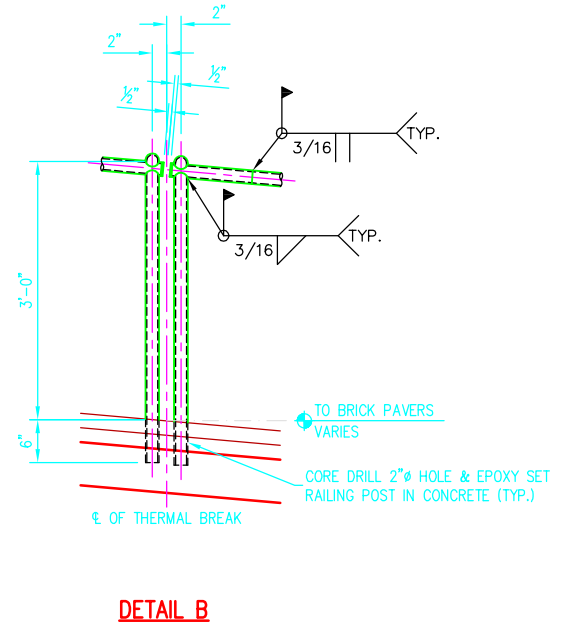
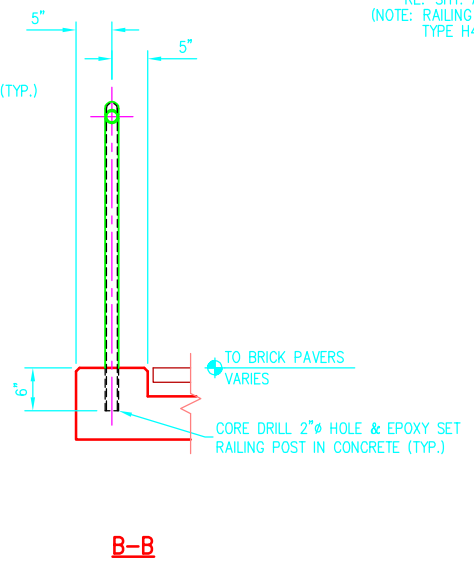
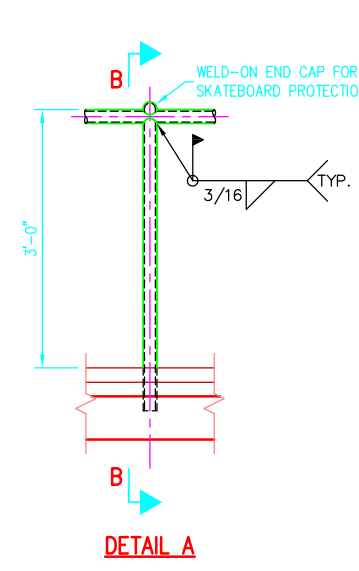
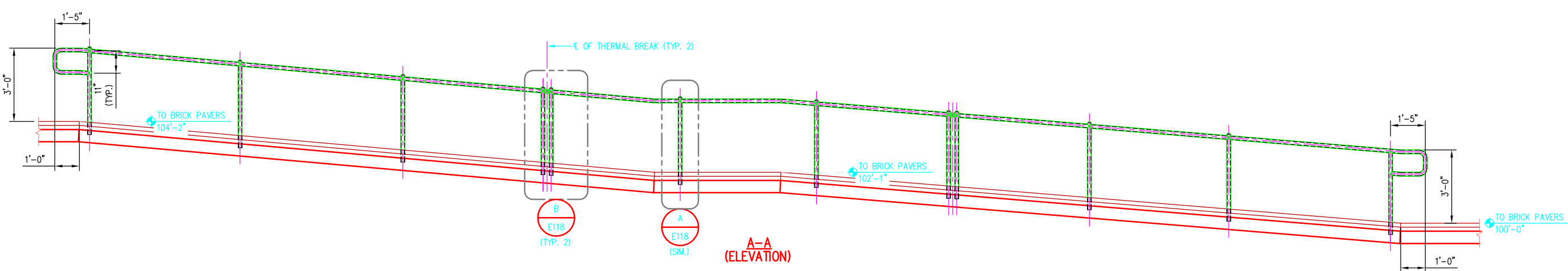
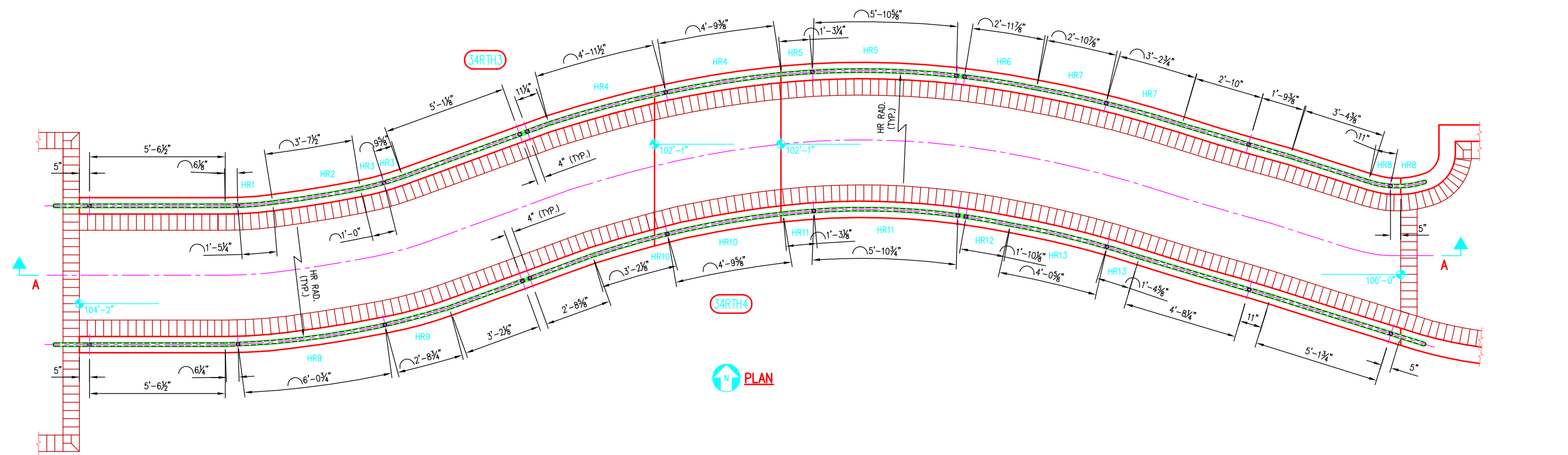


©2009 ANDY'S BEST CAD. ALL RIGHTS RESERVED. THIS DRAWING IS THE PROPERTY OF ANDY'S BEST CAD AND IS PROTECTED BY COPYRIGHT LAWS OF THE UNITED STATES OF AMERICA. ANY UNAUTHORIZED USE OF THE INFORMATION CONTAINED HEREIN OR PART THEREOF IS STRICTLY PROHIBITED. RECEIPT OR POSSESSION THEREOF DOES NOT CONVEY OR TRANSFER ANY RIGHT TO MAKE COPY, REPRODUCE AND/OR SOLE ENTIRE THE DRAWING OR THE ITEMS SHOWN THEREIN.



HANDRAIL RADII FOR CURVED SECTIONS	
HANDRAIL	RADIUS
HR1	14'-6"
HR2	54'-1"
HR3	14'-6"
HR4	45'-9"
HR5	35'-9"
HR6	35'-9"
HR7	45'-9"
HR8	3'-8"
HR9	33'-3"
HR10	37'-5"
HR11	29'-1"
HR12	29'-1"
HR13	37'-5"

NOTE: FIELD VERIFY ALL DIMENSIONS FOR HANDRAIL LENGTHS AND RADII

DATE:	
REV:	
REVISION DESCRIPTION:	
PROJECT:	UNIVERSITY ATHLETIC STADIUM STRUCTURAL STEEL HANDRAILS AND RAILINGS
DRAWING TITLE:	TYPE H RAILING ERECTION SHEET 2
DRAWING NO.:	E118
OF	

ANDY'S BEST CAD
 9715 S. MERIMBULA ST.
 LITTLETON, CO 80130
 303-791-1622
 WWW.ANDYSBESTCAD.COM

DRAWN: A.LANDT
 DESIGNED: A.LANDT
 CLIENT: UNIVERSITY ATHLETIC STADIUM
 DATE: 07/10/09
 SCALE: 1/2"=1'-0"