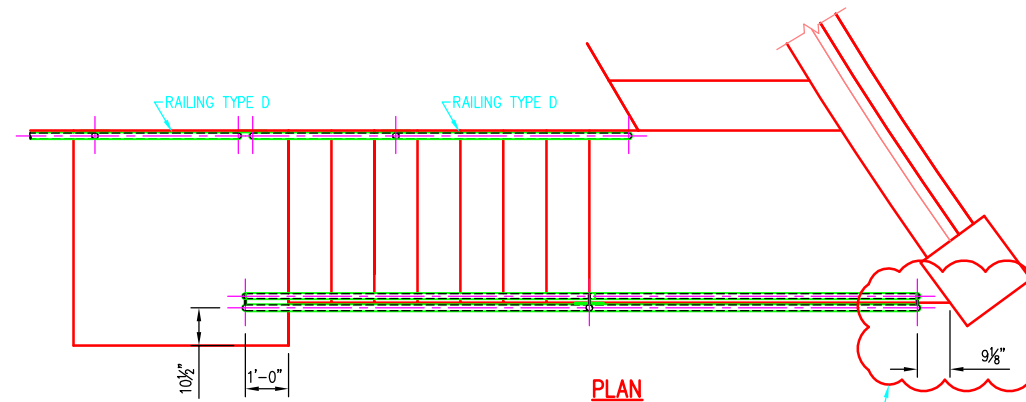
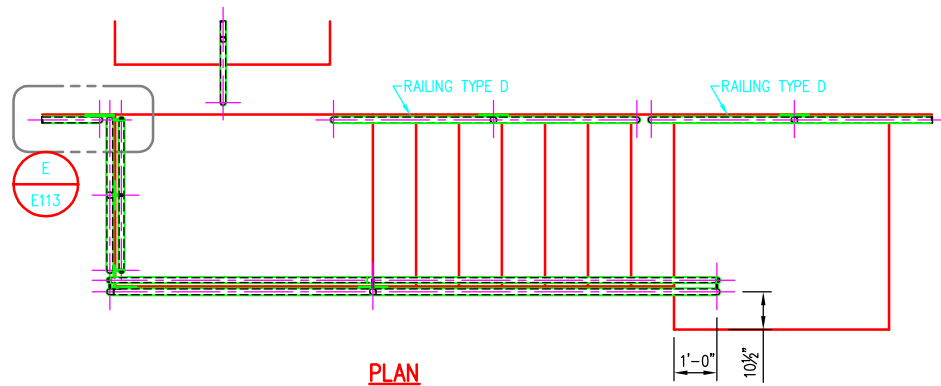
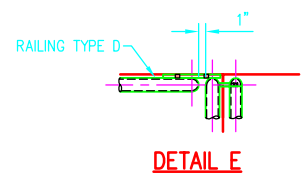
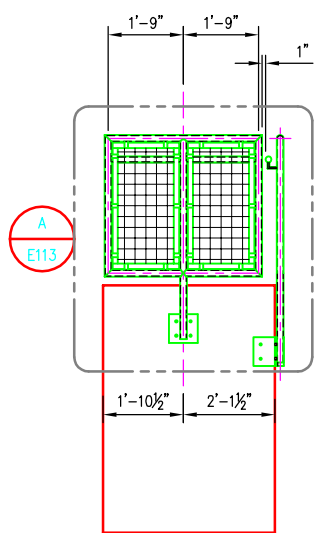


© 2009 ANDY'S BEST CAD. ALL RIGHTS RESERVED. THIS DRAWING IS THE PROPERTY OF ANDY'S BEST CAD AND IS PROTECTED BY COPYRIGHT LAWS OF THE UNITED STATES OF AMERICA. ANY UNAUTHORIZED USE OF THE INFORMATION CONTAINED HEREIN OR PART THEREOF IS STRICTLY PROHIBITED. RECEIPT OR POSSESSION HEREOF DOES NOT CONVEY OR TRANSFER ANY RIGHT TO MAKE COPY, MANUFACTURE AND/OR SELL EITHER THE DRAWING OR THE ITEMS SHOWN THEREON.

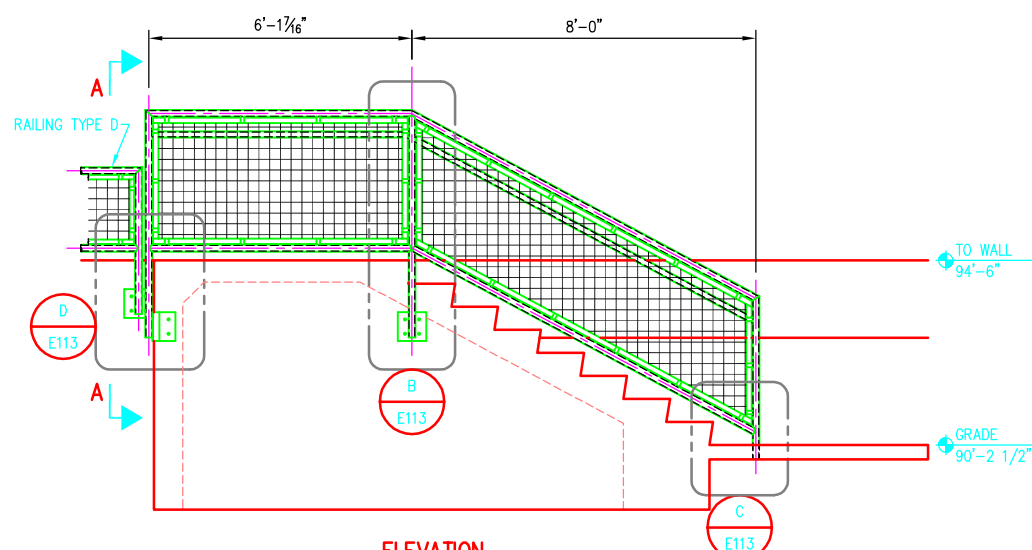


FIELD VERIFY RAILING LENGTH PRIOR TO FABRICATION



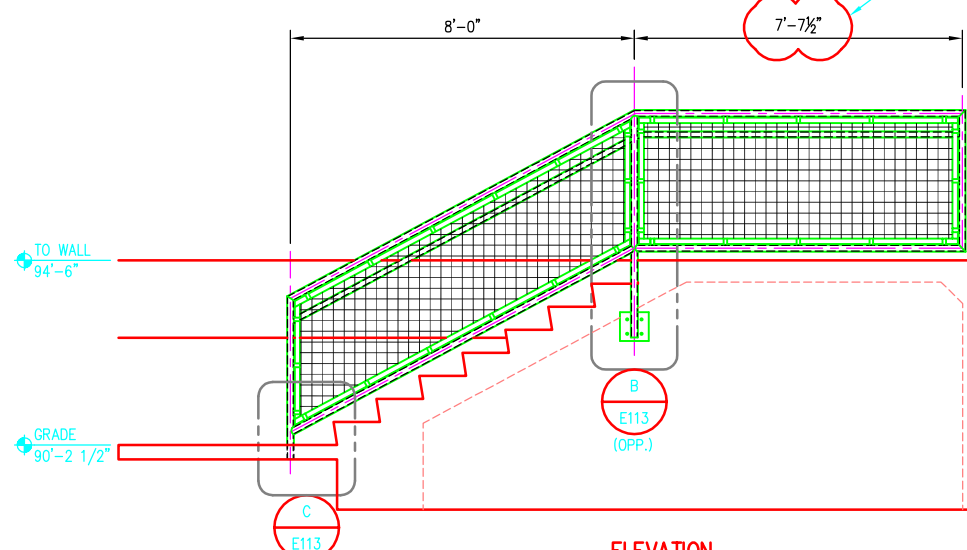
**A-A**  
**RAILING TYPE E1**

12RTE1  
RE: SHT. A3.41, DETAIL 5



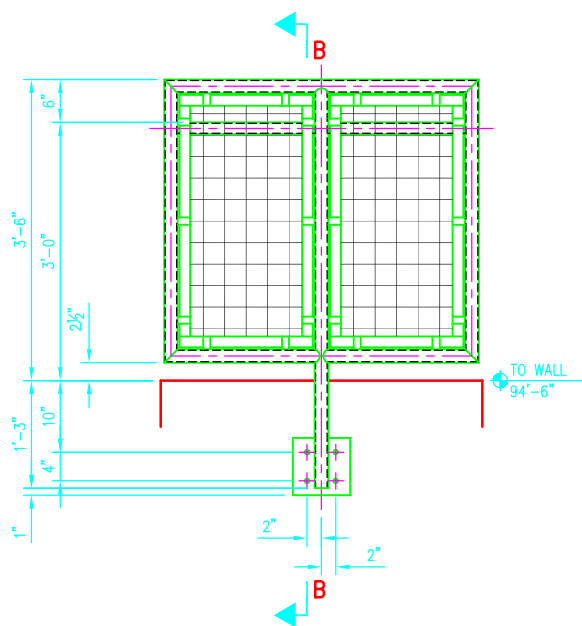
**ELEVATION**  
**RAILING TYPE E2**

13RTE2  
RE: SHT. A5.02, ELEV. 1 & 2  
RE: SHT. A3.41, DETAIL 5  
(NOTE: RAILING TYPE D BEYOND ON STAIR SIDE NOT SHOWN FOR CLARITY)

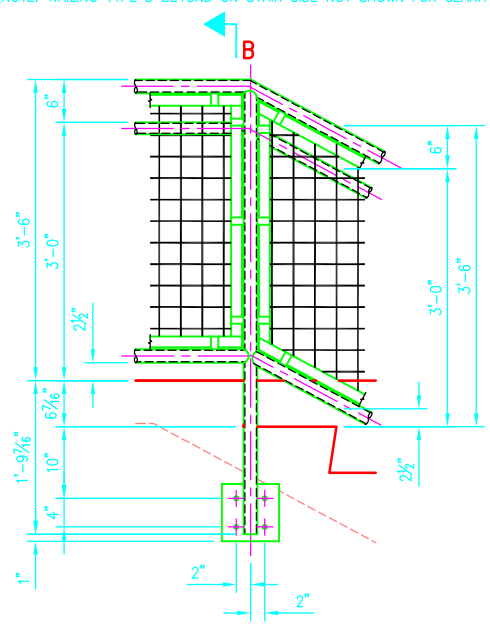


**ELEVATION**  
**RAILING TYPE E3**

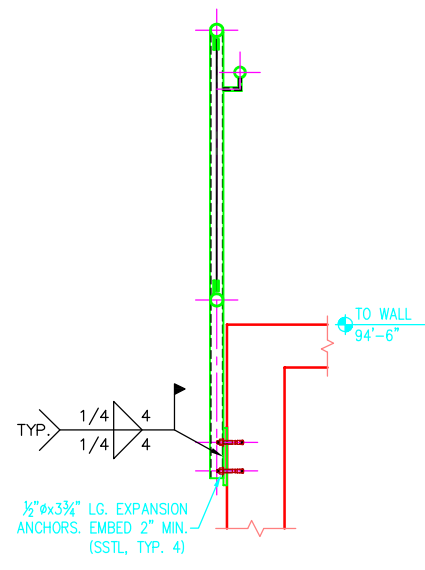
14RTE3  
RE: SHT. A5.02, ELEV. 1  
RE: SHT. A3.41, DETAIL 5  
(NOTE: RAILING TYPE D BEYOND ON STAIR SIDE NOT SHOWN FOR CLARITY)



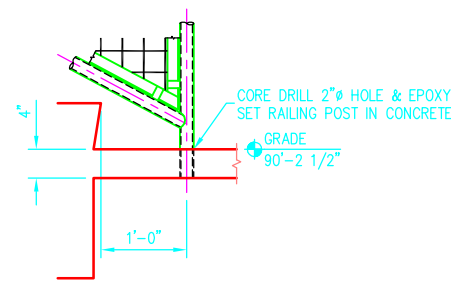
**DETAIL A**  
(NOTE: RAILING RTE2 NOT SHOWN FOR CLARITY)



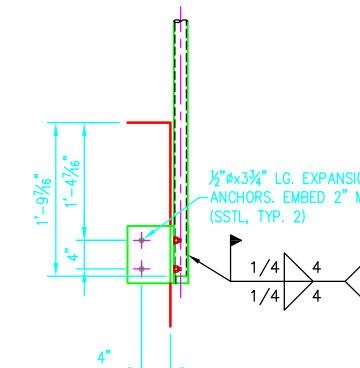
**DETAIL B**



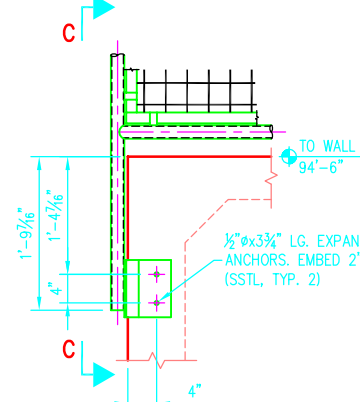
**B-B**  
(NOTE: ANCHOR POST SHOWN IS FOR RAILING TYPE E2; ANCHOR POST FOR RAILING TYPE E1 IS SIMILAR)



**DETAIL C**



**C-C**



**DETAIL D**  
(NOTE: RAILING TYPE D BEYOND NOT SHOWN FOR CLARITY)

DATE:	
REV:	
REVISION DESCRIPTION:	
DRAWN:	A.LANDT
DESIGNED:	A.LANDT
CLIENT:	05/04/09
DATE:	1/2"=1'-0"
SCALE:	
PROJECT:	UNIVERSITY ATHLETIC STADIUM STRUCTURAL STEEL HANDRAILS AND RAILINGS
DRAWING TITLE:	TYPE E RAILING ERECTION
DRAWING NO.:	E113
OF	
ANDY'S BEST CAD	9715 S. MERIMBULA ST. LITTLETON, CO 80130 303-791-1622 WWW.ANDYSBESTCAD.COM