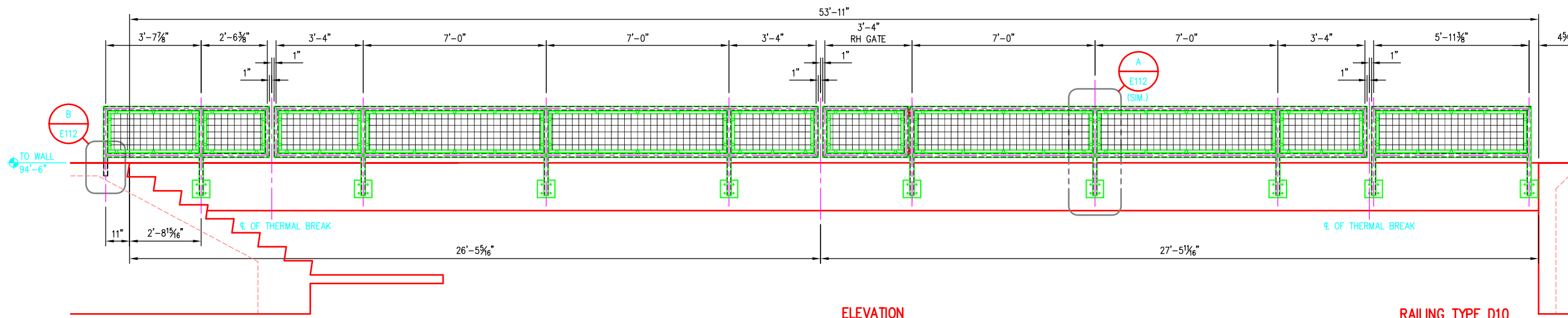


©2009 ANDY'S BEST CAD. ALL RIGHTS RESERVED. THIS DRAWING IS THE PROPERTY OF ANDY'S BEST CAD AND IS PROTECTED BY COPYRIGHT LAWS OF THE UNITED STATES OF AMERICA. ANY UNAUTHORIZED USE OF THE INFORMATION CONTAINED HEREIN OR PART THEREOF IS STRICTLY PROHIBITED. REPEAT OR POSSESSION THEREOF DOES NOT CONVEY OR TRANSFER ANY RIGHT TO MAKE, COPY, MANUFACTURE AND/OR SELL EITHER THE DRAWING OR THE ITEMS SHOWN THEREIN.

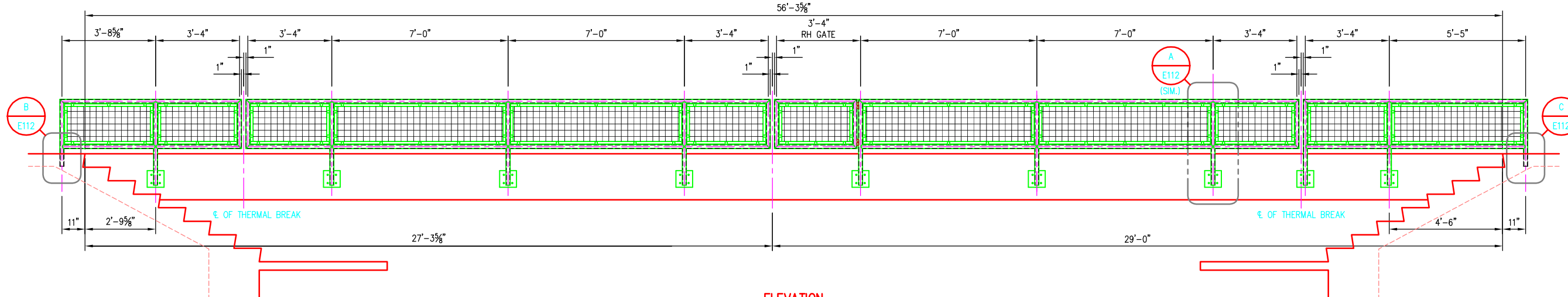


RAILING TYPE D9
9RTD9
 RE: SHT. A5.02, ELEV. 1 & 2
 RE: SHT. A3.41, DETAIL 4

RAILING TYPE D6
7RTD6
 RE: SHT. A5.02, ELEV. 1 & 2
 RE: SHT. A3.41, DETAIL 4

RAILING TYPE D7
8RTD7
 RE: SHT. A5.02, ELEV. 1 & 2
 RE: SHT. A3.41, DETAIL 4

RAILING TYPE D10
9RTD10
 RE: SHT. A5.02, ELEV. 1 & 2
 RE: SHT. A3.41, DETAIL 4

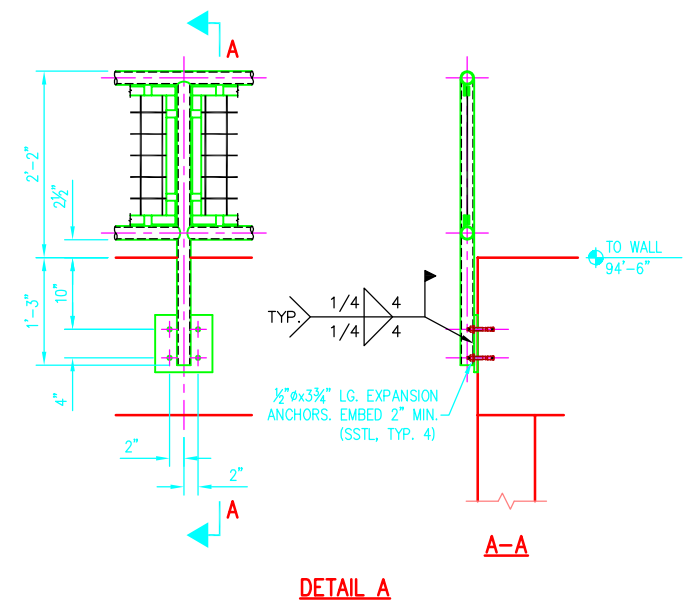


RAILING TYPE D11
10RTD11
 RE: SHT. A5.02, ELEV. 1 & 2
 RE: SHT. A3.41, DETAIL 4

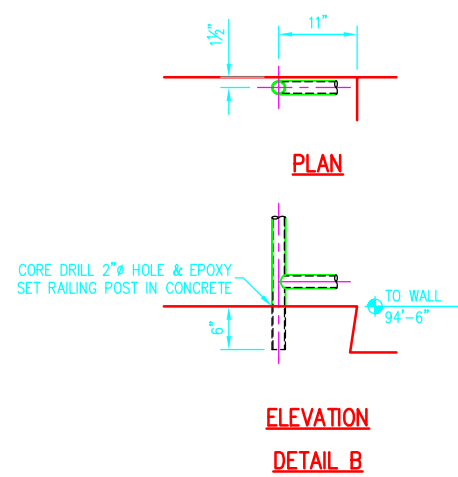
RAILING TYPE D6
7RTD6
 RE: SHT. A5.02, ELEV. 1 & 2
 RE: SHT. A3.41, DETAIL 4

RAILING TYPE D7
8RTD7
 RE: SHT. A5.02, ELEV. 1 & 2
 RE: SHT. A3.41, DETAIL 4

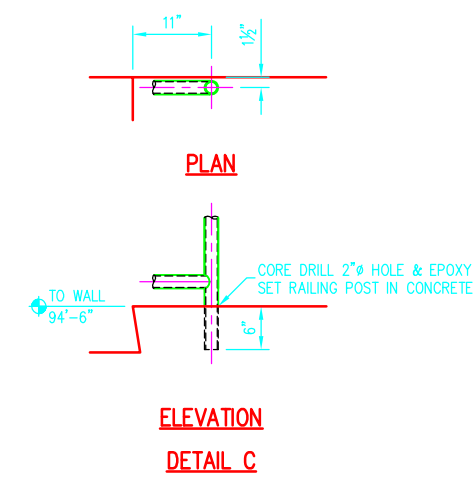
RAILING TYPE D12
10RTD12
 RE: SHT. A5.02, ELEV. 1 & 2
 RE: SHT. A3.41, DETAIL 4



DETAIL A



**ELEVATION
 DETAIL B**



**ELEVATION
 DETAIL C**

DATE:	
REV:	
REVISION DESCRIPTION:	
PROJECT:	UNIVERSITY ATHLETIC STADIUM STRUCTURAL STEEL HANDRAILS AND RAILINGS
DRAWING TITLE:	TYPE D RAILING ERECTION SHEET 2
DRAWING NO.:	E112
OF	
PROJECT:	ANDY'S BEST CAD 9715 S. MERIBULA ST. LITTLETON, CO 80130 303-791-1622 WWW.ANDYSBESTCAD.COM
DRAWN:	A.LANDT
DESIGNED:	A.LANDT
CLIENT:	05/04/09
DATE:	1/2" = 1'-0"
SCALE:	

