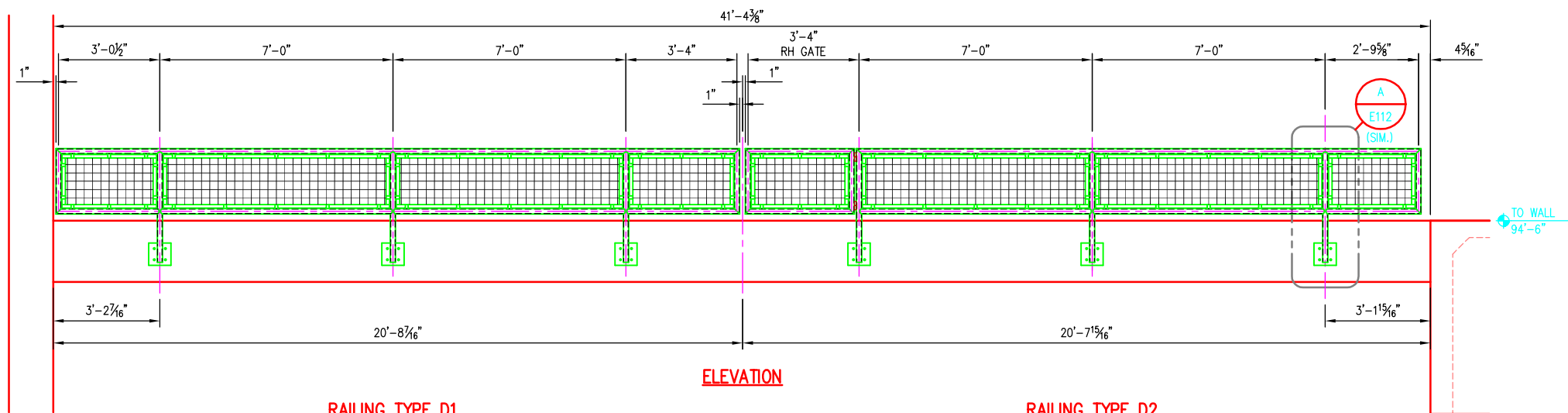
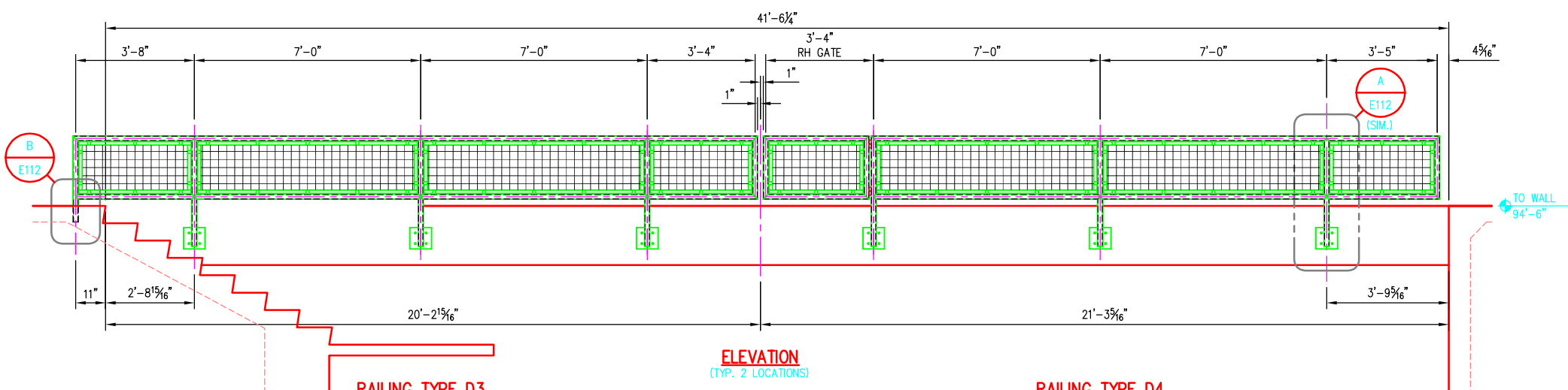


©2009 ANDY'S BEST CAD. ALL RIGHTS RESERVED. THIS DRAWING IS THE PROPERTY OF ANDY'S BEST CAD AND IS PROTECTED BY COPYRIGHT LAWS OF THE UNITED STATES OF AMERICA. ANY UNAUTHORIZED REPRODUCTION OR PART THEREOF IS STRICTLY PROHIBITED. REPEAT OR POSSESSION THEREOF DOES NOT CONVEY OR TRANSFER ANY RIGHT TO MAKE, COPY, MANUFACTURE AND/OR SELL EITHER THE DRAWING OR THE ITEMS SHOWN THEREIN.



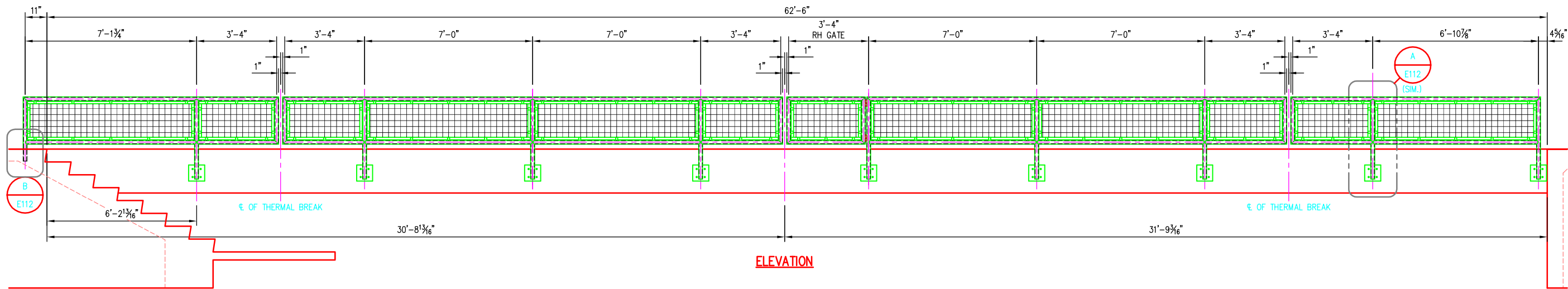
RAILING TYPE D1
5RTD1
 RE: SHT. A5.02, ELEV. 1 & 2
 RE: SHT. A3.41, DETAIL 4

RAILING TYPE D2
5RTD2
 RE: SHT. A5.02, ELEV. 1 & 2
 RE: SHT. A3.41, DETAIL 4



RAILING TYPE D3
6RTD3
 RE: SHT. A5.02, ELEV. 1 & 2
 RE: SHT. A3.41, DETAIL 4

RAILING TYPE D4
6RTD4
 RE: SHT. A5.02, ELEV. 1 & 2
 RE: SHT. A3.41, DETAIL 4



RAILING TYPE D5
7RTD5
 RE: SHT. A5.02, ELEV. 1 & 2
 RE: SHT. A3.41, DETAIL 4

RAILING TYPE D6
7RTD6
 RE: SHT. A5.02, ELEV. 1 & 2
 RE: SHT. A3.41, DETAIL 4

RAILING TYPE D7
8RTD7
 RE: SHT. A5.02, ELEV. 1 & 2
 RE: SHT. A3.41, DETAIL 4

RAILING TYPE D8
8RTD8
 RE: SHT. A5.02, ELEV. 1 & 2
 RE: SHT. A3.41, DETAIL 4

DATE:	
REV:	
REVISION DESCRIPTION:	
DRAWING TITLE:	TYPE D RAILING ERECTION SHEET 1
PROJECT:	UNIVERSITY ATHLETIC STADIUM STRUCTURAL STEEL HANDRAILS AND RAILINGS
DRAWN:	A.LANDT
DESIGNED:	A.LANDT
CLIENT:	05/04/09
DATE:	1/2"=1'-0"
SCALE:	
DRAWING NO.:	E111
OF	

ANDY'S BEST CAD
 9715 S. MERIBULA ST.
 LITTLETON, CO 80130
 303-791-1622
 WWW.ANDYSBESTCAD.COM

