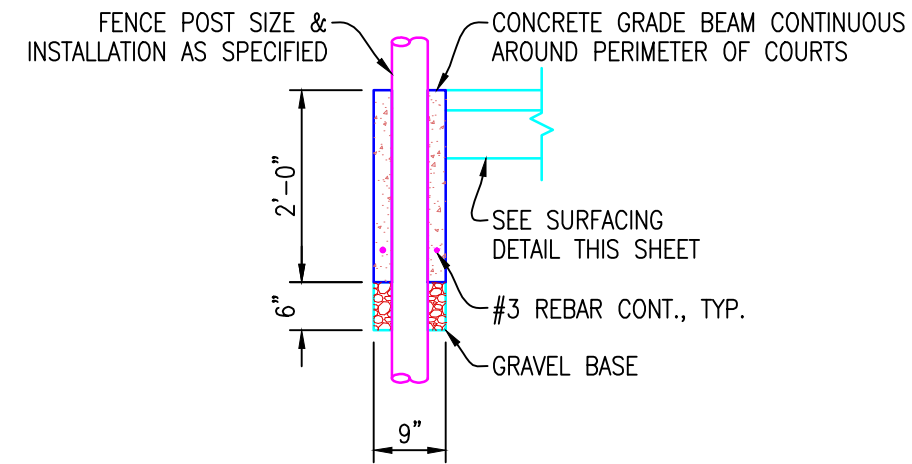
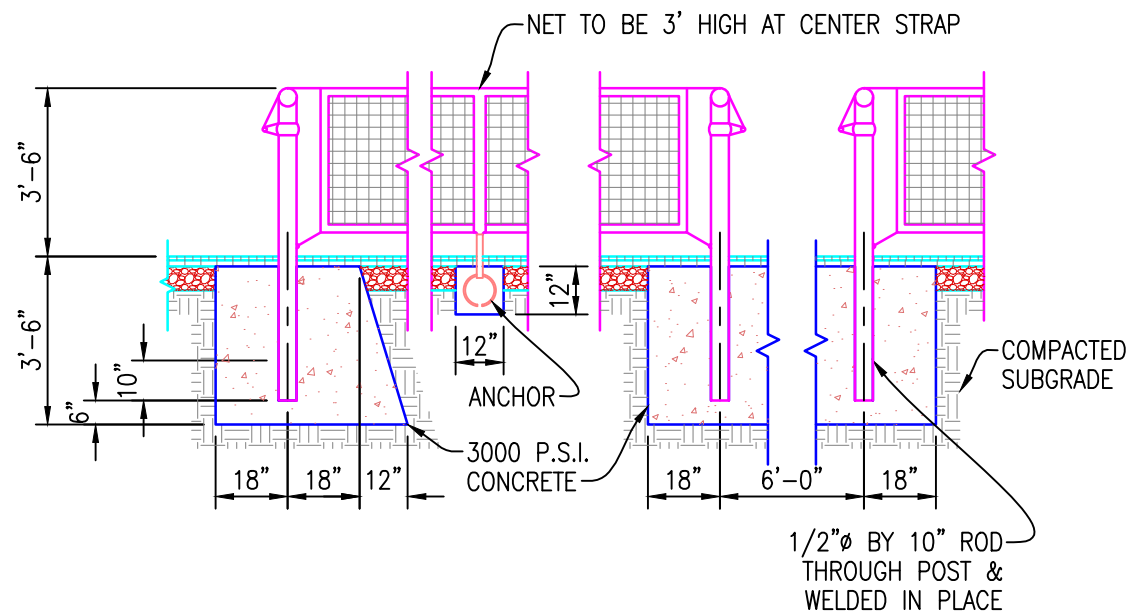


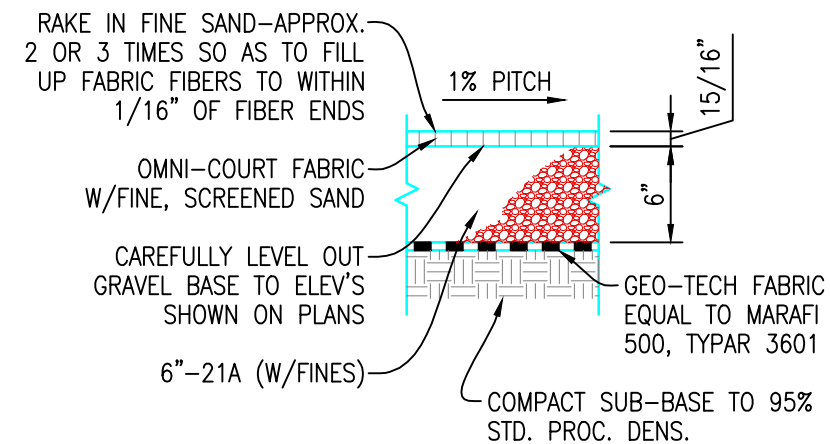
TYPICAL BASKETBALL/TENNIS COURT PAVEMENT SECTION
NO SCALE



TYP. BASKETBALL/TENNIS CT. PERIMETER CONCRETE BEAM
NO SCALE



TENNIS COURT NET & POST DETAIL
NO SCALE

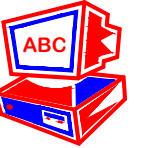


OMNI-TENNIS COURT SECTION
NO SCALE (OPTIONAL)

NOTES:
FILLER COAT
 THE FILLER COAT SHALL BE LAYKOLD COLORCOAT 200, AS MANUFACTURED BY SPORTEC INTERNATIONAL INCORPORATED, OR APPROVED EQUAL.
COLOR COAT
 THE COLOR COAT SHALL BE LAYKOLD COLORCOAT 100, AS MANUFACTURED BY SPORTEC INTERNATIONAL INCORPORATED, OR APPROVED EQUAL.
LINE PAINT
 WHITE LINE PAINT SHALL BE USED. DO NOT USE OIL-BASE PAINT OR LACQUER, AS THIS WILL CAUSE BLEEDING OR CHECKING OF THE COLORCOAT.
TENNIS NET AND POSTS
 TENNIS COURT POSTS ARE TO BE QUALITY INDUSTRIES INC. NO. 37 "EXTRA HEAVY DUTY 4 1/2" TENNIS POSTS" WITH QUALITY INDUSTRIES INC. NO. 51 "GROUND SOCKETS FOR 4 1/2" POSTS." TENNIS NET IS TO BE QUALITY INDUSTRIES INC. NO. 45 "EXTRA HEAVY DUTY ALUMINUMIZED TENNIS NET," OR QUALITY INDUSTRIES INC. NO. 30 "NYLON TENNIS NET," AS SPECIFIED BY OWNER.

DO NOT SCALE DRAWINGS
 ALL DIMENSIONS IN INCHES
 UNLESS NOTED OTHERWISE

DATE:	
REVISION DESCRIPTION:	
REV:	



ANDY'S BEST CAD
 1323 CARLYLE PARK CIRCLE
 HIGHLANDS RANCH, CO 80129
 303-808-3352
 WWW.ANDYSBESTCAD.COM

DRAWN: A. LANDT
 DESIGNED:
 CLIENT: 11/25/02
 DATE: AS SHOWN
 SCALE:

DRAWING TITLE:
 TENNIS COURT
 SECTIONS
 AND DETAILS

DRAWING NO.:
 L02
 02 OF 07