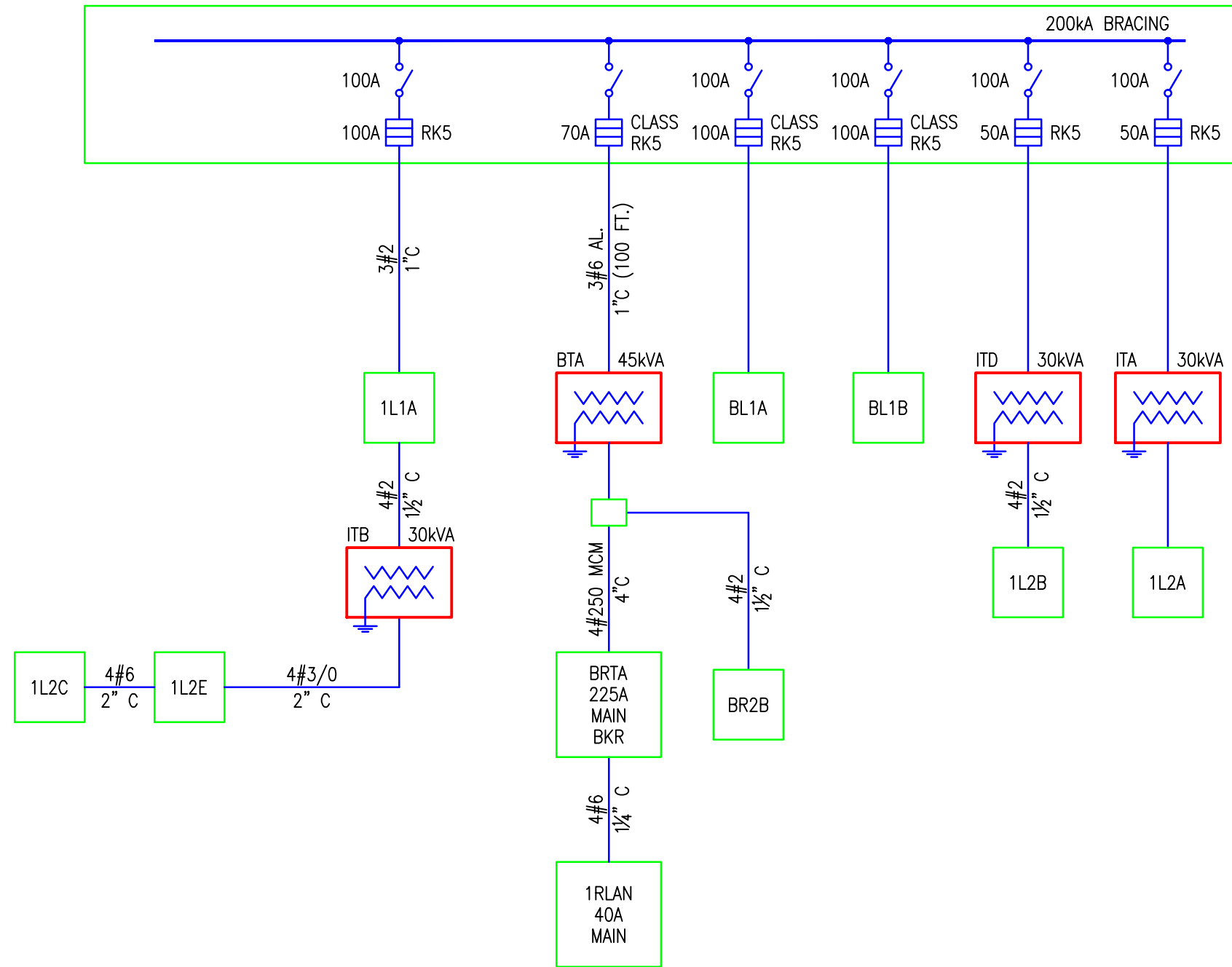


DISTRIBUTION PANEL
600A BUS, 3 ϕ , 4W, 277/480 V

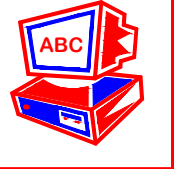


PANEL DISTRIBUTION
NO SCALE

DATE:

REVISION DESCRIPTION:

REV:



ANDY'S BEST CAD
1323 CARLYLE PARK CIRCLE
HIGHLANDS RANCH, CO 80129
303-808-3352
WWW.ANDYSBESTCAD.COM

DRAWN: A. LANDT
DESIGNED:
CLIENT: 02/15/16
DATE: NONE
SCALE:

DRAWING TITLE:
ELECTRICAL
DISTRIBUTION PANEL
ONE-LINE DIAGRAM

DRAWING NO.:

DO NOT SCALE DRAWINGS
ALL DIMENSIONS IN INCHES
UNLESS NOTED OTHERWISE

E1
01 OF 01